

EM GROUP | SOUTH AFRICA | UNITED KINGDOM | ZIMBABWE



EM INDUSTRIAL SUPPLIES

OUR BRANCHES

64 Shetland Drive
Queens Park
Bulawayo
Zimbabwe

2 Premier Place
Industrial Park
Durban, KZN
South Africa

Flat 7,
192 Edward Road,
B12 9LX
United Kingdom

@ emindustrial@telkomsa.net

(+27) 074 918 1839

www.emgroupsa.co.za

www.emindustrialsupplies.com

EM GROUP | SOUTH AFRICA | UNITED KINGDOM | ZIMBABWE

EM INDUSTRIAL SUPPLIES

EM INDUSTRIAL SUPPLIES

Sewing and Cutting Machine Spares Supplier

SOUTH AFRICA | UNITED KINGDOM | ZIMBABWE





EM GROUP | SOUTH AFRICA | UNITED KINGDOM | ZIMBABWE



EM INDUSTRIAL SUPPLIES

Sewing and Cutting Machine Spares Supplier

OUR BRANCHES

64 Sheffand Drive Queens Park Bulawayo Zimbabwe	2 Premier Place Industrial Park Durban, KZN South Africa	Flat 7, 192 Edward Road, B12 9LX United Kingdom
--	---	--

- @ emindustrial@telkomsa.net
- (+27) 074 918 1839
- www.emgroupsa.co.za
- www.emindustrialsupplies.com



EM INDUSTRIAL SUPPLIES



OUR BRANDS

We reply within 24 hours



CATALOGUE INDEX

Skiving Knife (Bell Knife) Series	1-4
Roller & Grindstone & Presser Foot Series	5-9
Knives Series For Industrial Sewing Machines	10-14
Hook & Bobbin Case Series	15-24
Presser Foot & Roller Presser Assy Series	25-42
Needle Plate For Pfaff 591 & CS-8810/8820... ..	43-45
Suspending Edge Guides & Guides & Arm Cover Series	46-54
Bobbin Winder & Tension Devices Series	55-61
SEIKO Needles From TAIWAN	62
Needle Plate & Feed Dog & Gauge Set Series	63-80
Gear Set & Feed Base Set & Presser Bar & Needle Bar Series	81-84
DURKOPP ADLER Parts Series	85-90
Shoe Making Machinery Parts Series	91-108
Handbags & Bags and Suitcases & Sofa Making Machinery Parts Series	109-122
(ACCESSORIES SERIES) Belt Cover/Motor Cover & Eye Guard Assy Series	123-129
(ACCESSORIES SERIES) Servo Motor Parts	130
(ACCESSORIES SERIES) Tools Series	131-145
SEIKO Needles From TAIWAN	148
(FEED MECHANISM) Automatic Ejector Set Series	149-158
Computer Sewing Machine Popular Parts Series	159-188
Computer Sewing Machine Internal Parts Series	189-209
Computer Sewing Machine Plastic Parts Series	210-215
Feed Frame & Feed Plate Series	216-221
For DURKOPP ADLER	222-234
DURKOPP ADLER & JUKI Feet Sets, Gauge Sets & Spare Parts	235-256
Plotter, Cutter & Spreader Spares & Accessories	257-273

ABOUT OUR COMPANY



EM INDUSTRIAL SUPPLIES (EMIS)

Sewing and Cutting Machine Spares Supplier

We are an innovative and well established company that has been in operation since 2008 and through dedication and determination we have successfully developed a strong foundation in two major sectors within the supply chain industry.

EM Industrial Supplies (EMIS), where we deal with Sewing and Cutting Machine Spares & EMIS Logistics. EMIS is supported by a professional team who deals with some of the leading world renowned brands in Sewing & Cutting Machine Spares like Gerber Technology, Groz-Beckert, Pegasus, Bullmer, Pfaff, Lectra, Durkopp Adler, Seiko, Juki, Singer, Kansai Special and Mitsubishi.

Our market has now reached companies across the world in various countries and we are proud to say that we are one of the leading suppliers in Sewing and Cutting Machine Spares around the globe.

OUR BRANCHES

64 Shetland Drive
Queens Park
Bulawayo
Zimbabwe

2 Premier Place
Industrial Park
Durban, KZN
South Africa

Flat 7,
192 Edward Road,
B12 9LX
United Kingdom

@ emindustrial@telkomsa.net
☎ (+27) 074 918 1839
🌐 www.emgroupsa.co.za
🌐 www.emindustrialsupplies.com

brother.

DÜRKOPP
ADLER

GERBER
TECHNOLOGY

LECTRA

HIGHLEAD

JUKI®

KANSAI
SPECIAL

SERKON
make

PEGASUS®

bullmer
built from technology

SEIKO

SINGER

MITSUBISHI

MAUSER
SPEZIAL

PFAFF
Perfection starts here.™

GROZ-BECKERT®

Skiving Knife (Bell Knife) Series



EM INDUSTRIAL SUPPLIES

Sewing and Cutting Machine Spares Supplier



Skiving Knife (Bell Knife) Series



EM INDUSTRIAL SUPPLIES

Sewing and Cutting Machine Spares Supplier



Skiving Knife (Bell Knife) Series



EM INDUSTRIAL SUPPLIES

Sewing and Cutting Machine Spares Supplier



(Good Year)

Skiving Knife (Bell Knife) Series



EM INDUSTRIAL SUPPLIES

Sewing and Cutting Machine Spares Supplier



Roller (Stone/Glue/Iron) Series



EM INDUSTRIAL SUPPLIES

Sewing and Cutting Machine Spares Supplier



Roller (Stone/Glue/Iron) Series



EM INDUSTRIAL SUPPLIES

Sewing and Cutting Machine Spares Supplier



Presser Foot (Radian/Straight) Series



EM INDUSTRIAL SUPPLIES

Sewing and Cutting Machine Spares Supplier



EM INDUSTRIAL SUPPLIES

We are professional suppliers of sewing machine fittings and we provide all kinds of sewing machine parts and accessories. New items are always added to our website product list. If you are interested in our products or want to place an order, please contact us via the details below:

Sewing and Cutting Machine Spares Supplier

We reply within 24 hours

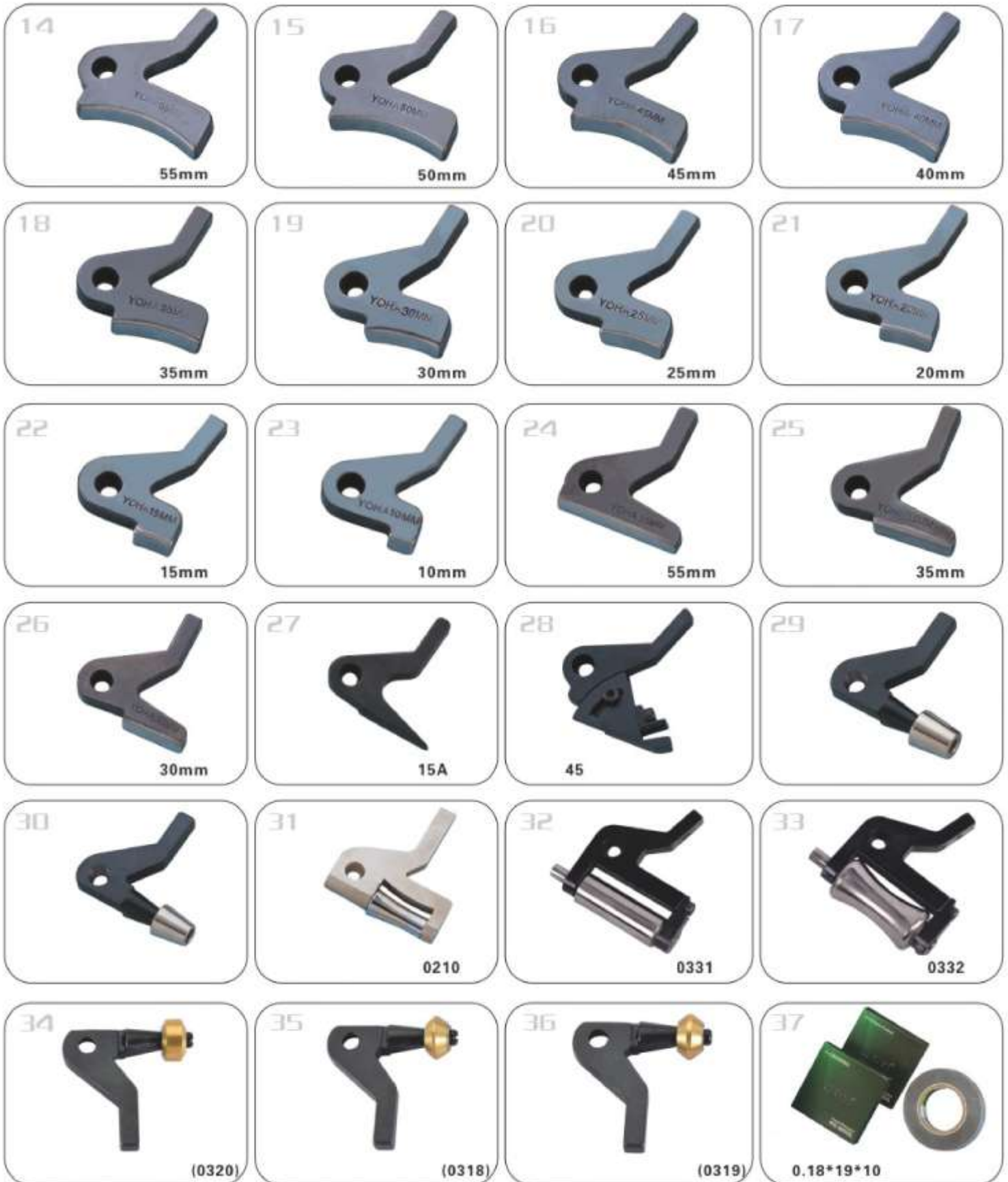
<p>64 Shetland Drive Queens Park Bulawayo Zimbabwe</p>	<p>2 Premier Place Industrial Park Durban, KZN South Africa</p>	<p>Flat 7, 192 Edward Road, B12 9LX United Kingdom</p>	<p>@ emindustrial@telkomsa.net (+27) 074 918 1839 www.emgroupsa.co.za www.emindustrialsupplies.com</p>
--	---	--	---

Presser Foot (Radian/Straight) Series



EM INDUSTRIAL SUPPLIES

Sewing and Cutting Machine Spares Supplier



Grindstone Series



EM INDUSTRIAL SUPPLIES

Sewing and Cutting Machine Spares Supplier



Skiving Band Knives



EM INDUSTRIAL SUPPLIES

Sewing and Cutting Machine Spares Supplier



2065 × 40 × 0.5
2590 × 40 × 0.5
2662 × 50 × 0.6
2790 × 50 × 0.6
2830 × 50 × 0.6

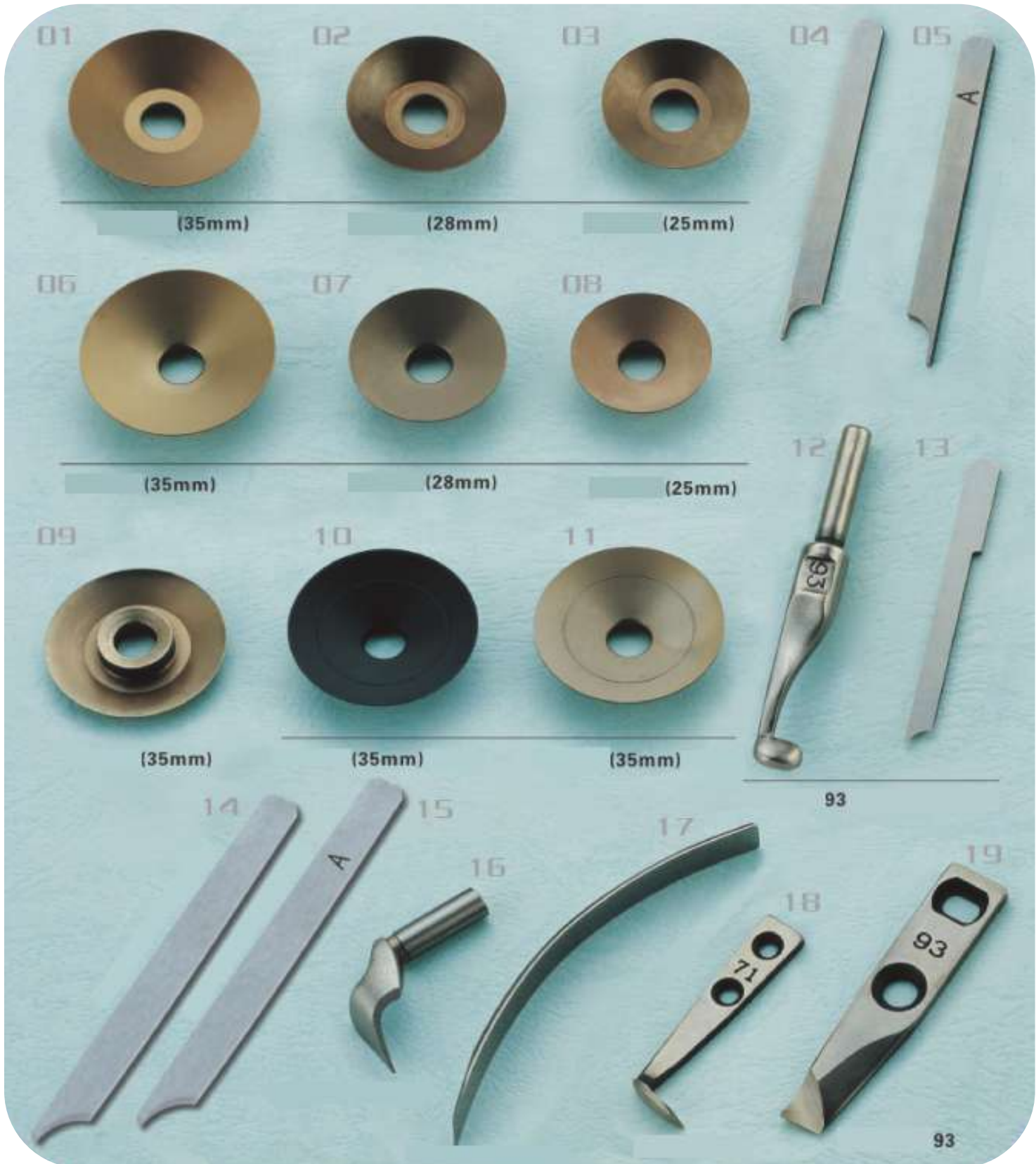
3350 × 50 × 0.7
3500 × 50 × 0.7
3570 × 50 × 0.8
3690 × 50 × 0.8
3800 × 50 × 0.8

Trimming Machine Knife (Circular/Straight) Series



EM INDUSTRIAL SUPPLIES

Sewing and Cutting Machine Spares Supplier



Round Knives For End Cutter Machines



EM INDUSTRIAL SUPPLIES

Sewing and Cutting Machine Spares Supplier



Computer Automatic Cutting Machine Knife Series



EM INDUSTRIAL SUPPLIES

Sewing and Cutting Machine Spares Supplier



Knives For Industrial Sewing Machines



EM INDUSTRIAL SUPPLIES

Sewing and Cutting Machine Spares Supplier



Hook Series



EM INDUSTRIAL SUPPLIES

Sewing and Cutting Machine Spares Supplier



M767



767



868



768

Hook Series



EM INDUSTRIAL SUPPLIES

Sewing and Cutting Machine Spares Supplier

01



591

02



592

03



571

04



592

05



243/441/471/441

06



441

07



441

08



TG360R
1-1

09



204/205
243/441/471

10



GB4-1

11



KRT-132(1800)

12



KRT-132(1810)

13



KRT-133

Hook Series



EM INDUSTRIAL SUPPLIES

Sewing and Cutting Machine Spares Supplier



Hook Series



EM INDUSTRIAL SUPPLIES

Sewing and Cutting Machine Spares Supplier



6-7BTR

6-5

(KHS20-RP)

1.6



KRT391-G

GLC341-NR

LBH-1790

H-3823



294
(KPT545)

1242TR

KRT-19R

KRT-18R



8812 (KRT1971)

8830 (H-820LR)

KRT467

KRT467J

Hook Series



EM INDUSTRIAL SUPPLIES

Sewing and Cutting Machine Spares Supplier



Hook Series



EM INDUSTRIAL SUPPLIES

Sewing and Cutting Machine Spares Supplier

62



D530

63



D530-1
DY

64



545/249

65



2280

66



DP2-57(2LP)
457

67



457

68



107

69



KRP41-B
814

70



HDU-271

71



480

72



KR-134

73



KHS11S-58

74



515

75



KRT-151S

76



KRT24-B

77



KRT24U-42

Hook Series



EM INDUSTRIAL SUPPLIES

Sewing and Cutting Machine Spares Supplier



78

DU
KRT12-5LMC



79

DU



80

KRT12-5LMC



81

KRT872L



82

KRT875LK



83

KRT-2S2K



84

KRT12-5B



85

KRT845LK



86

KRT842L



87

31-LTR



88

KRT12-R



89

KRT21-SP

Hook Series



EM INDUSTRIAL SUPPLIES

Sewing and Cutting Machine Spares Supplier

90



3588-7

91



1510

92



1560

93



8420

94



DU
KER12-5LMKC

95



KRT14-5-0-8BL-20

96



563A

97



ILSW-28BL

98



275-20

99



981N/490LTR (2)

100



470LR

Bobbin Case Series



EM INDUSTRIAL SUPPLIES

Sewing and Cutting Machine Spares Supplier



Bobbin Case Series



EM INDUSTRIAL SUPPLIES

Sewing and Cutting Machine Spares Supplier

C20



C21



C22



C23



CP-HPF144TR

C24



490(6)

C25



CP-HPF190

C26



490

C27



8813M

C28



C29



380

C30



C31



C32



C33



C34



2010

C35



6-5

C36



2280

C37



591

C38



571

C39



1.6

C40



3

C41



3

Presser Foot For Durkopp Adler



EM INDUSTRIAL SUPPLIES

Sewing and Cutting Machine Spares Supplier



Presser Foot For Durkopp Adler



EM INDUSTRIAL SUPPLIES

Sewing and Cutting Machine Spares Supplier



Presser Foot For Durkopp Adler



EM INDUSTRIAL SUPPLIES

Sewing and Cutting Machine Spares Supplier



Presser Foot For Durkopp Adler



EM INDUSTRIAL SUPPLIES

Sewing and Cutting Machine Spares Supplier

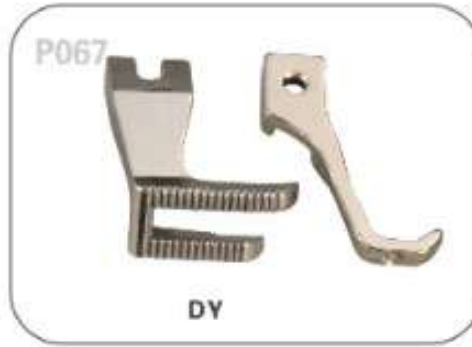


Presser Foot For 0302/0318...



EM INDUSTRIAL SUPPLIES

Sewing and Cutting Machine Spares Supplier

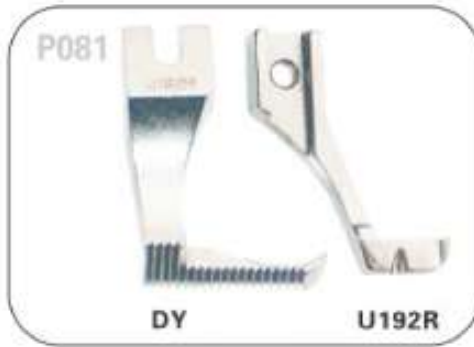


Presser Foot For 0302/0318...



EM INDUSTRIAL SUPPLIES

Sewing and Cutting Machine Spares Supplier



Presser Foot For 0302/0318...



EM INDUSTRIAL SUPPLIES

Sewing and Cutting Machine Spares Supplier



Presser Foot For 8B/341/246/335/DU/168...



EM INDUSTRIAL SUPPLIES

Sewing and Cutting Machine Spares Supplier



Presser Foot For 8B/341/246/335/DU/168...



EM INDUSTRIAL SUPPLIES

Sewing and Cutting Machine Spares Supplier



Presser Foot For 8B/341/246/335/DU/168...



EM INDUSTRIAL SUPPLIES

Sewing and Cutting Machine Spares Supplier



EM INDUSTRIAL SUPPLIES



Presser Foot For 8B/341/246/335/DU/168...



EM INDUSTRIAL SUPPLIES

Sewing and Cutting Machine Spares Supplier



Presser Foot For 8B/341/246/335/DU/168...



EM INDUSTRIAL SUPPLIES

Sewing and Cutting Machine Spares Supplier



**EM INDUSTRIAL
SUPPLIES**



Presser Foot For 8B/341/246/335/DU/168...



EM INDUSTRIAL SUPPLIES

Sewing and Cutting Machine Spares Supplier

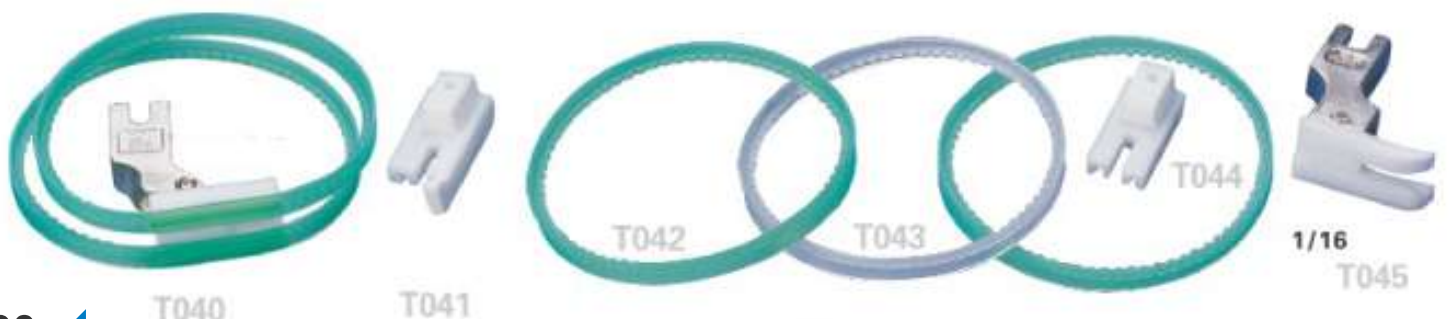


Teflon Plastic Pressure Plate & Teflon Presser Foot



EM INDUSTRIAL SUPPLIES

Sewing and Cutting Machine Spares Supplier



Presser Foot For 6-5/8800/5550/735...



EM INDUSTRIAL SUPPLIES

Sewing and Cutting Machine Spares Supplier

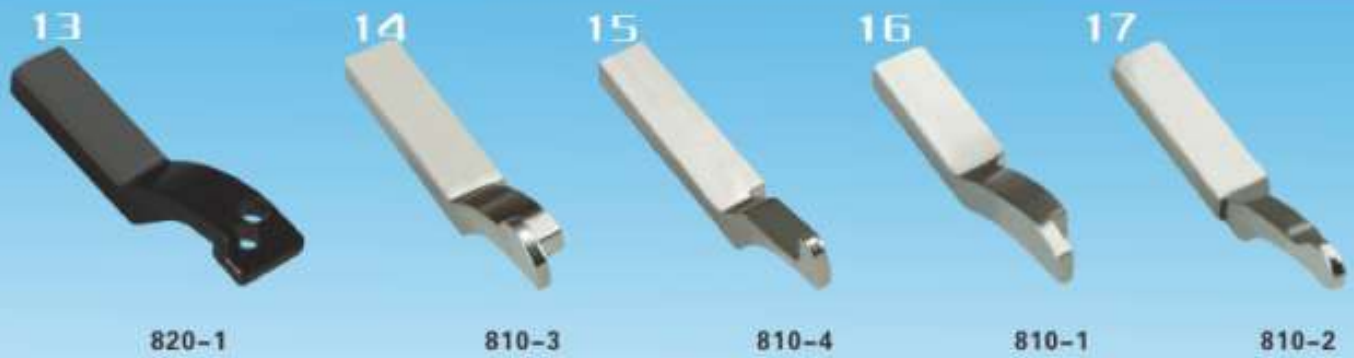


Presser Foot For 8810/8820/591 & 810/820...



EM INDUSTRIAL SUPPLIES

Sewing and Cutting Machine Spares Supplier



Roller Presser Assy For 810/820 & 6-7/8800/735...



EM INDUSTRIAL SUPPLIES

Sewing and Cutting Machine Spares Supplier



Roller Presser Assy For 8810/591/981/6111T/674D...



EM INDUSTRIAL SUPPLIES

Sewing and Cutting Machine Spares Supplier



L17



L18



L19

(40,35,32,30,28,26,24,22,20mm)



L20



L21



L22

(40,35,32,30,28,26,24,22,20mm)

(30, 28, 26mm)



L23



L24



L25

(30, 28, 26mm)

(30, 26mm)

(40-20mm)

Needle Plate For PFAFF 591/571/574...



EM INDUSTRIAL SUPPLIES

Sewing and Cutting Machine Spares Supplier



Needle Plate For PFAFF 591/571/574...



EM INDUSTRIAL SUPPLIES

Sewing and Cutting Machine Spares Supplier



Needle Plate For 8810/8820/6111T/991T/491...



EM INDUSTRIAL SUPPLIES

Sewing and Cutting Machine Spares Supplier

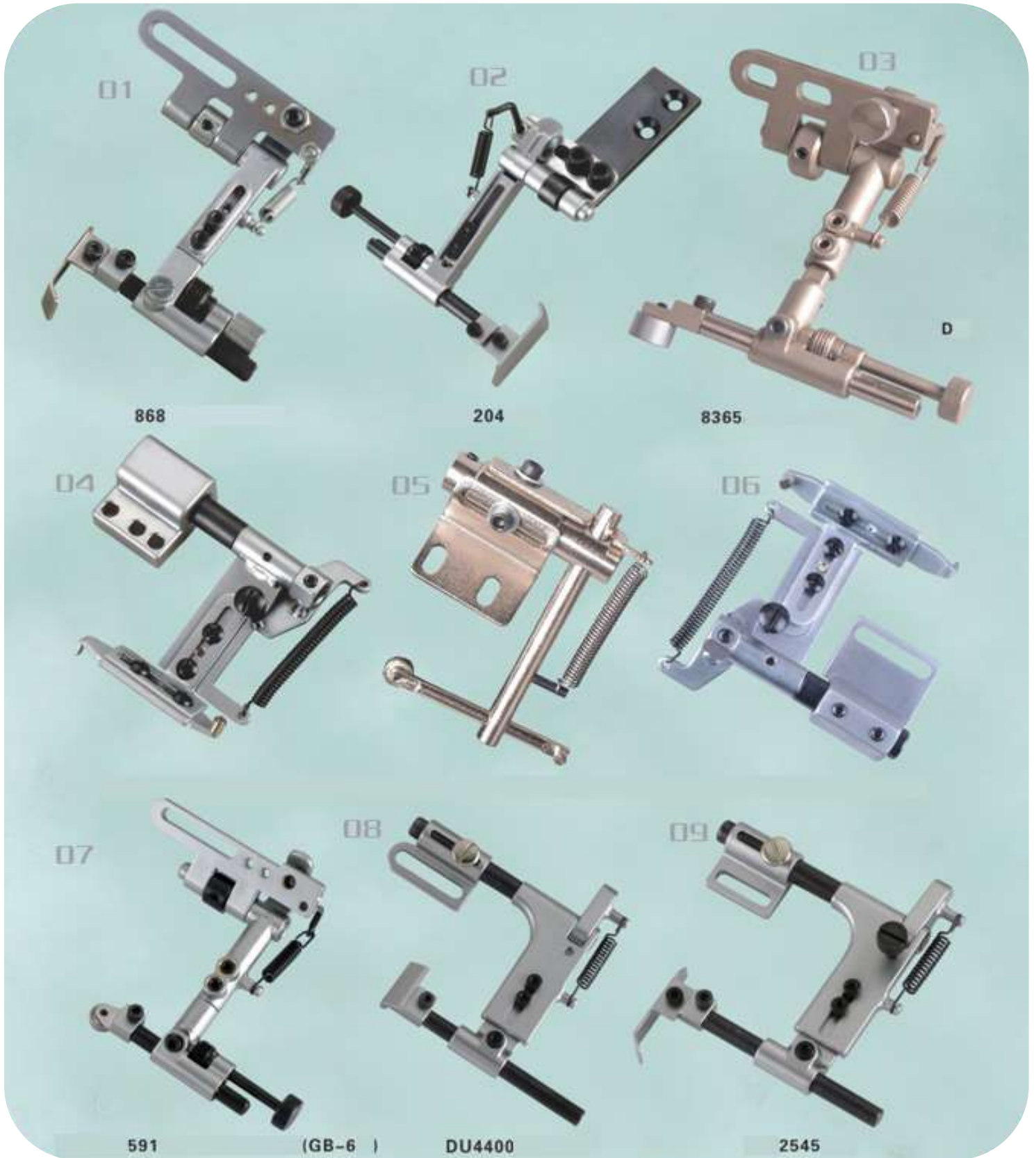


Suspending Edge Guides Series



EM INDUSTRIAL SUPPLIES

Sewing and Cutting Machine Spares Supplier



Suspending Edge Guides Series



EM INDUSTRIAL SUPPLIES

Sewing and Cutting Machine Spares Supplier



Suspending Edge Guides Series



Sewing and Cutting Machine Spares Supplier



Suspending Edge Guides Series



EM INDUSTRIAL SUPPLIES

Sewing and Cutting Machine Spares Supplier



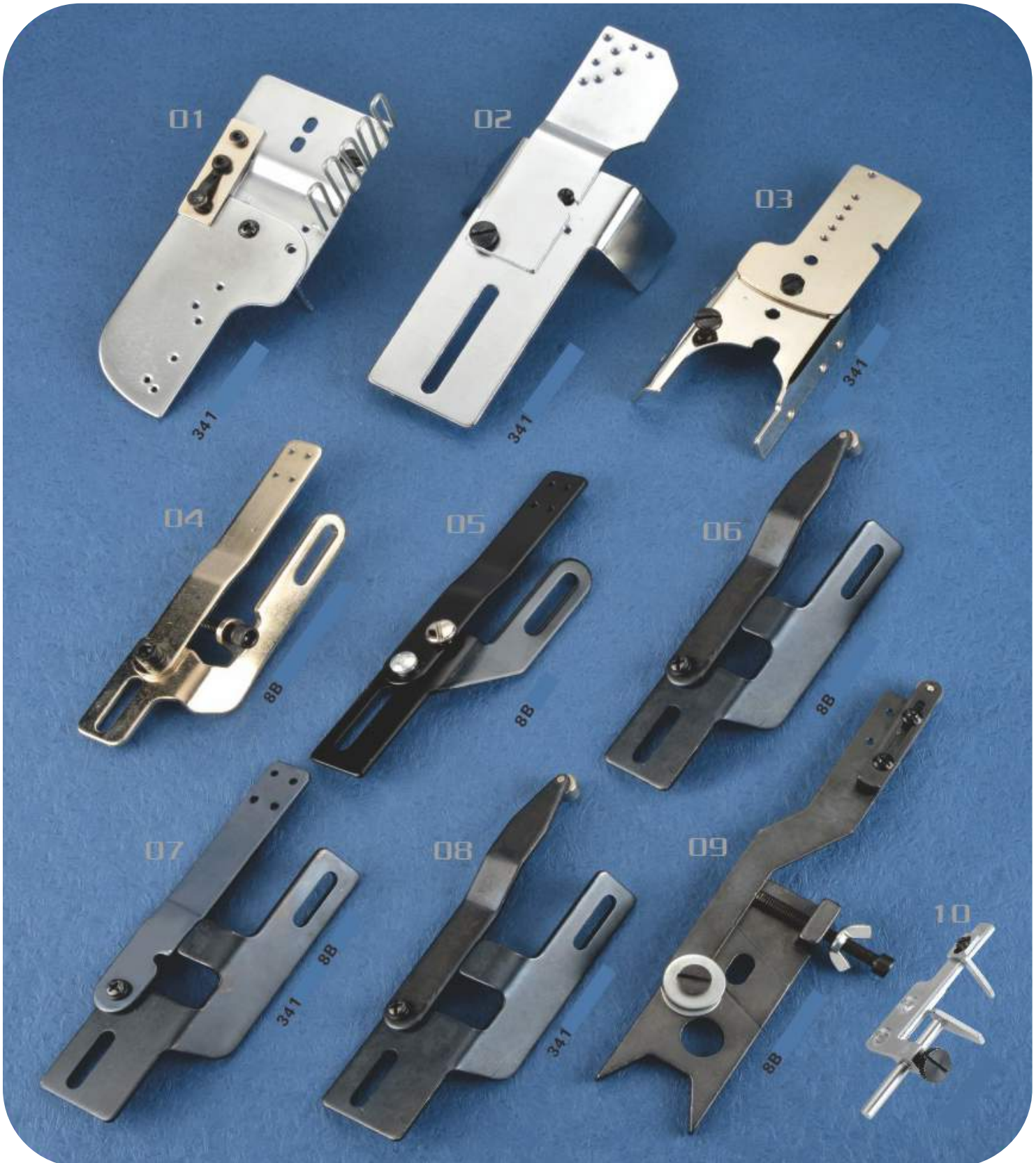
Suspending Edge Guides Series



EM INDUSTRIAL SUPPLIES

Sewing and Cutting Machine Spares Supplier



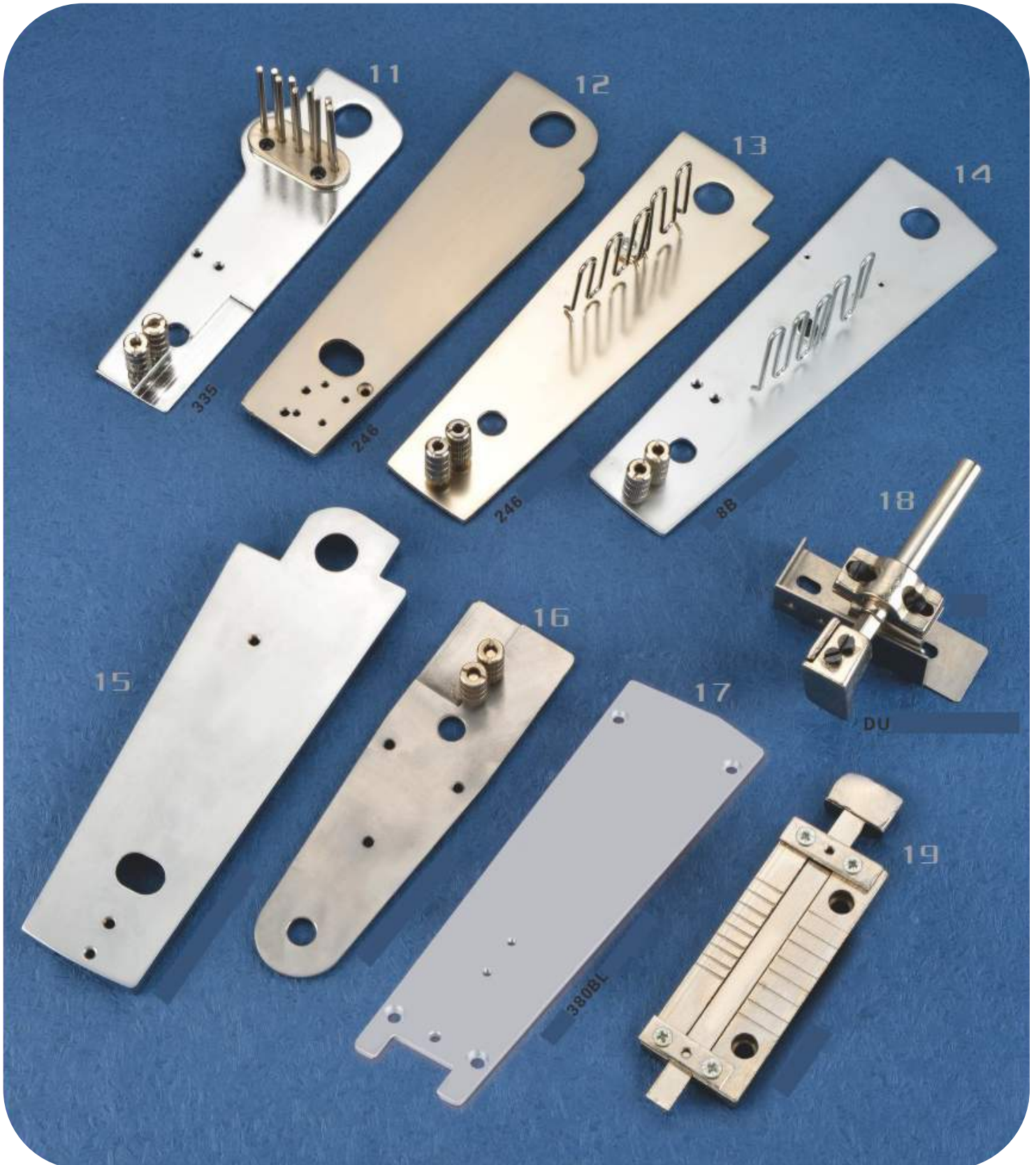


Guides & Arm Cover Series



EM INDUSTRIAL SUPPLIES

Sewing and Cutting Machine Spares Supplier



Applicable Parts For Hemmer/Folder/Binder



EM INDUSTRIAL SUPPLIES

Sewing and Cutting Machine Spares Supplier



Guides Series



EM INDUSTRIAL SUPPLIES

Sewing and Cutting Machine Spares Supplier



Bobbin Winder Series



EM INDUSTRIAL SUPPLIES

Sewing and Cutting Machine Spares Supplier

01



2010 G

02



441

03



2010 E
(ME20E0190)

04



1010E E
(ME60E0190)

05



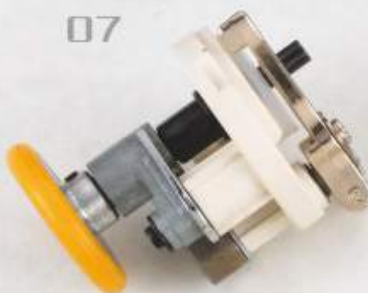
T200 (A-7)
(Sa1971101)

06



210E
(400-28338)

07



5550

08



A-3

09



210D
(B3204-210-DB0)

10



1900A
(262-60000)

11



1341 (A-6)

12

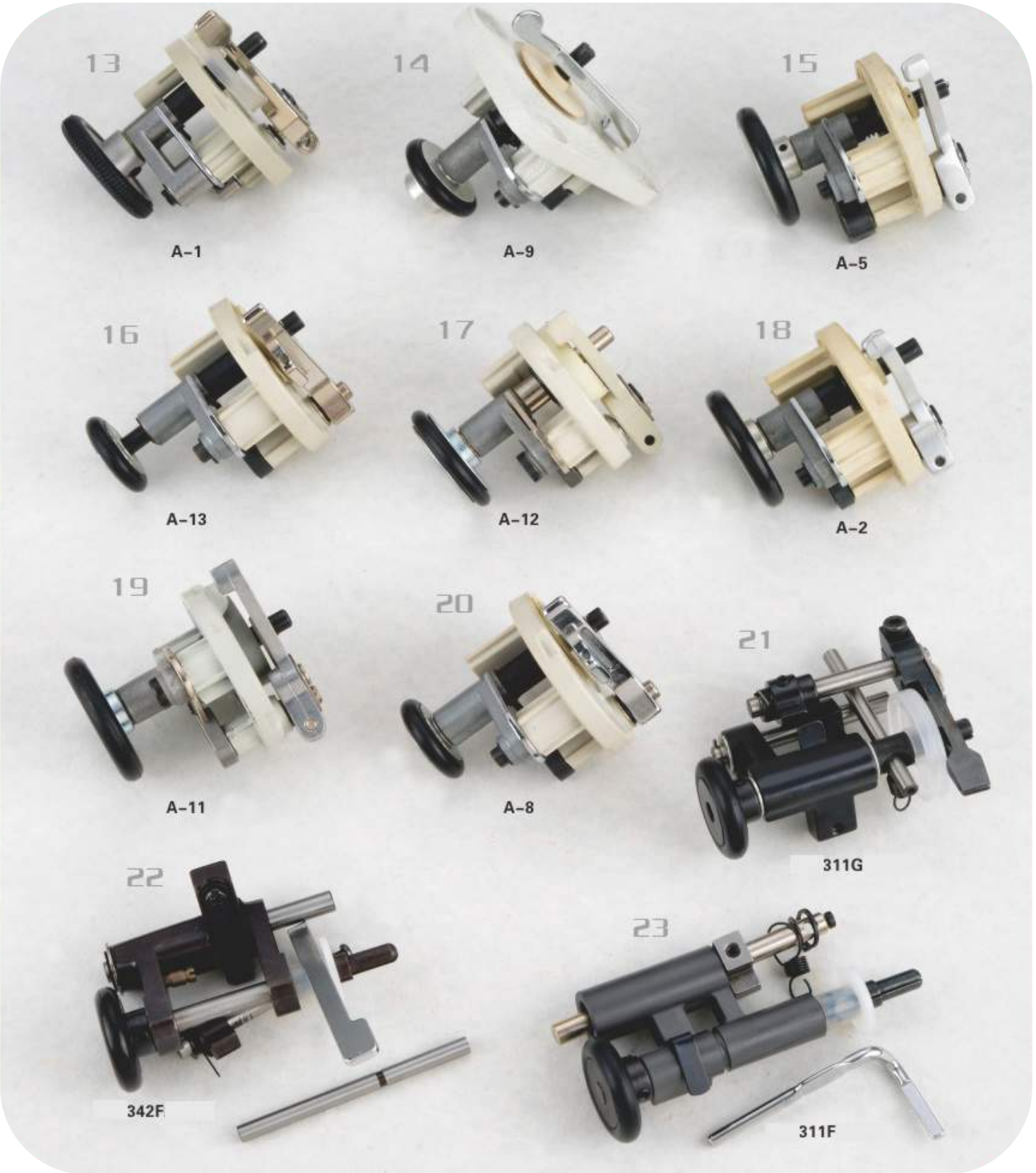


Bobbin Winder Series



EM INDUSTRIAL SUPPLIES

Sewing and Cutting Machine Spares Supplier

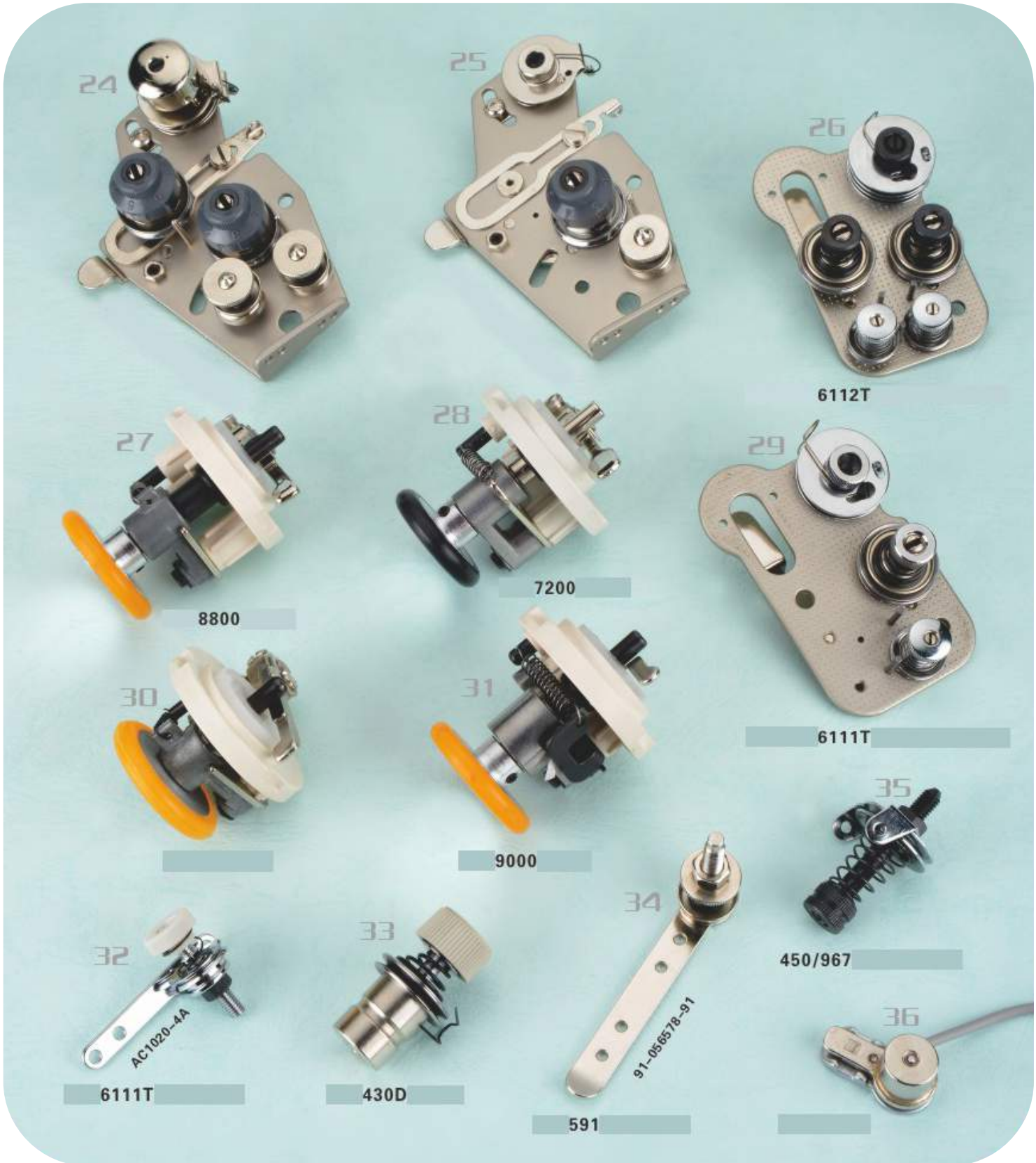


Bobbin Winder & Tension Devices



EM INDUSTRIAL SUPPLIES

Sewing and Cutting Machine Spares Supplier



Bobbin Winder & Tension Devices



EM INDUSTRIAL SUPPLIES

Sewing and Cutting Machine Spares Supplier



Tension Devices Series



EM INDUSTRIAL SUPPLIES

Sewing and Cutting Machine Spares Supplier



Tension Devices Series



EM INDUSTRIAL SUPPLIES

Sewing and Cutting Machine Spares Supplier



Tension Devices Series



EM INDUSTRIAL SUPPLIES

Sewing and Cutting Machine Spares Supplier



SEIKO Needles From TAIWAN



EM INDUSTRIAL SUPPLIES

Sewing and Cutting Machine Spares Supplier

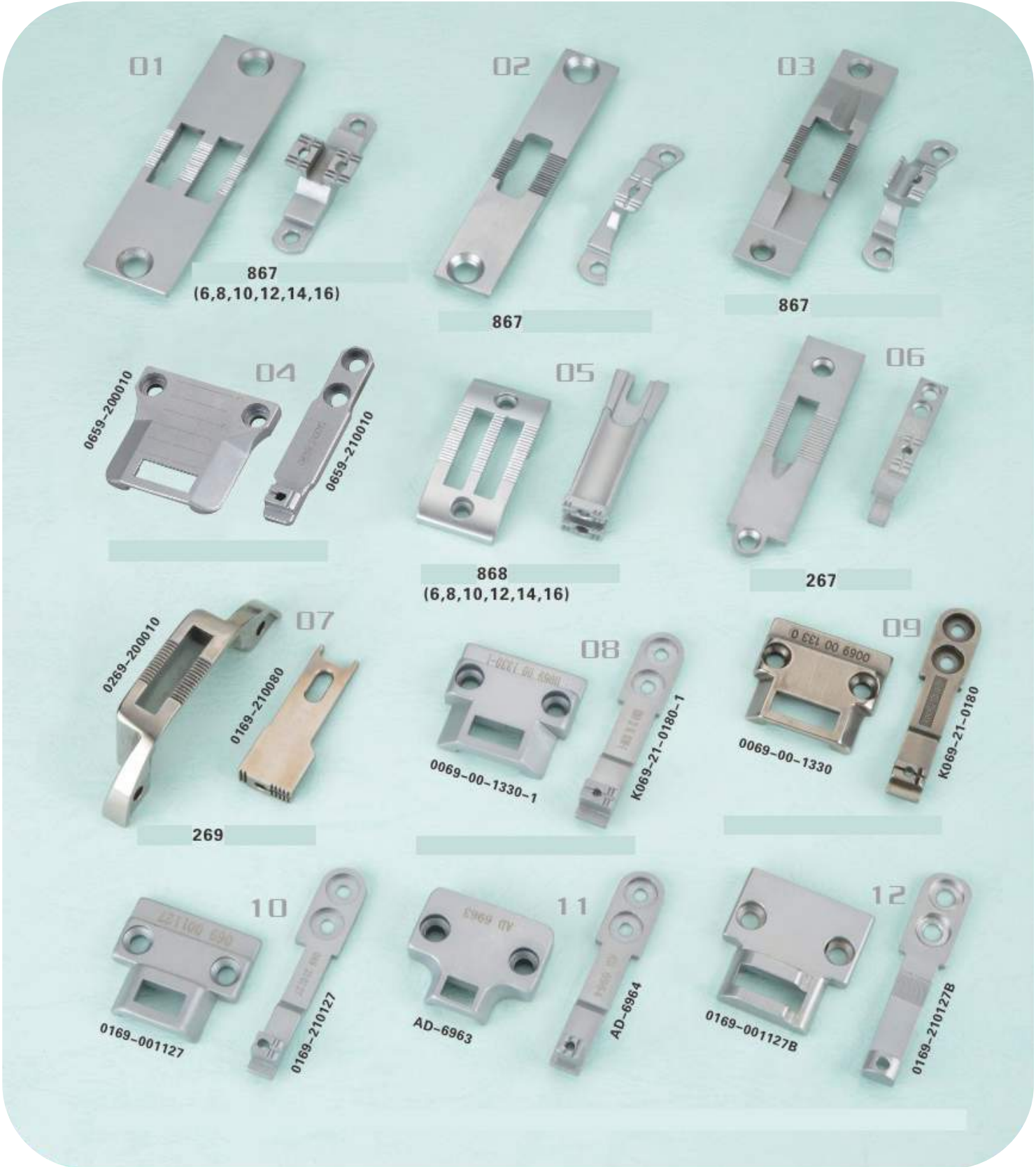


Needle Plate & Feed Dog For Durkopp Adler



EM INDUSTRIAL SUPPLIES

Sewing and Cutting Machine Spares Supplier



Needle Plate & Feed Dog Series



EM INDUSTRIAL SUPPLIES

Sewing and Cutting Machine Spares Supplier

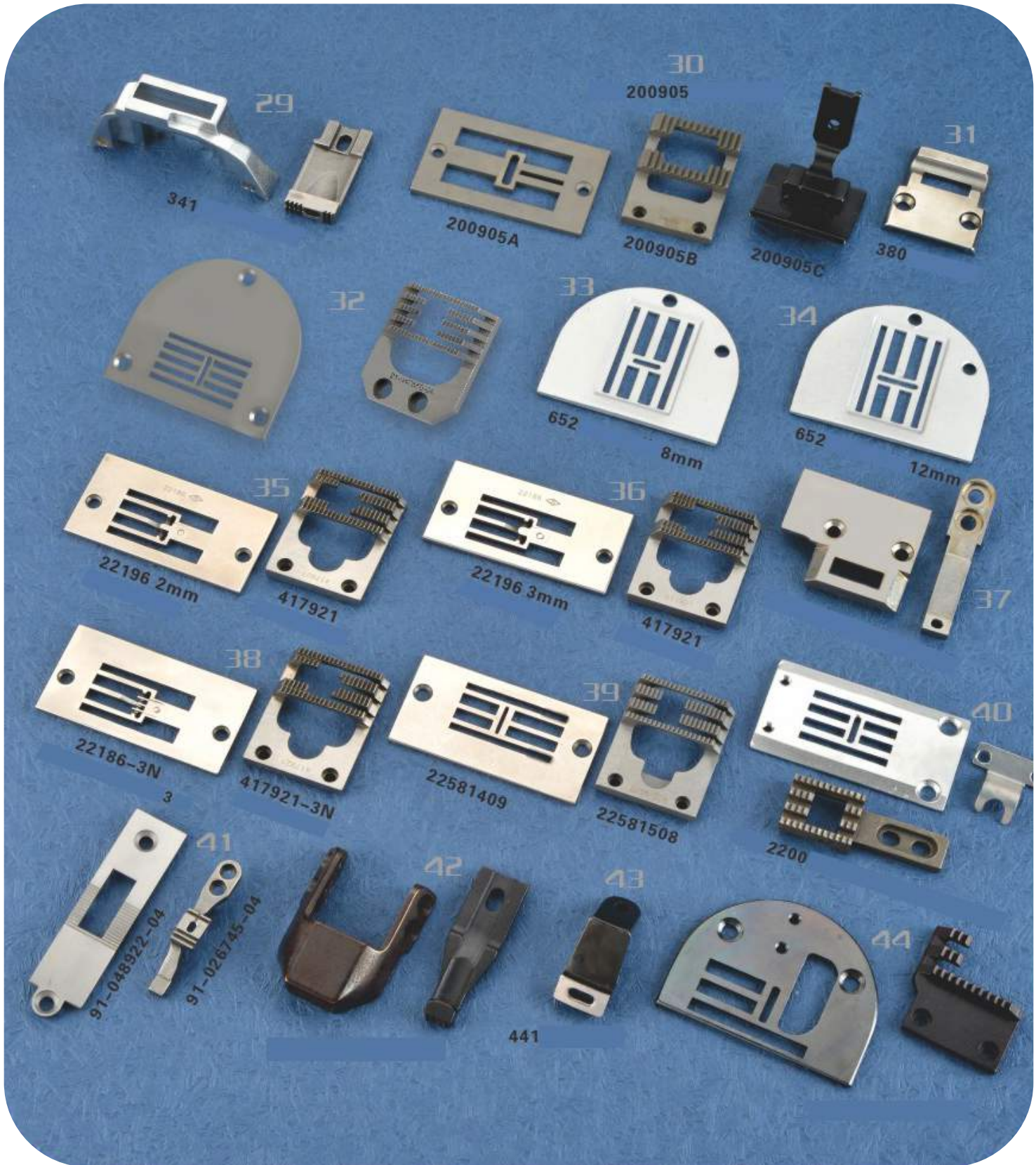


Needle Plate & Feed Dog Series



EM INDUSTRIAL SUPPLIES

Sewing and Cutting Machine Spares Supplier

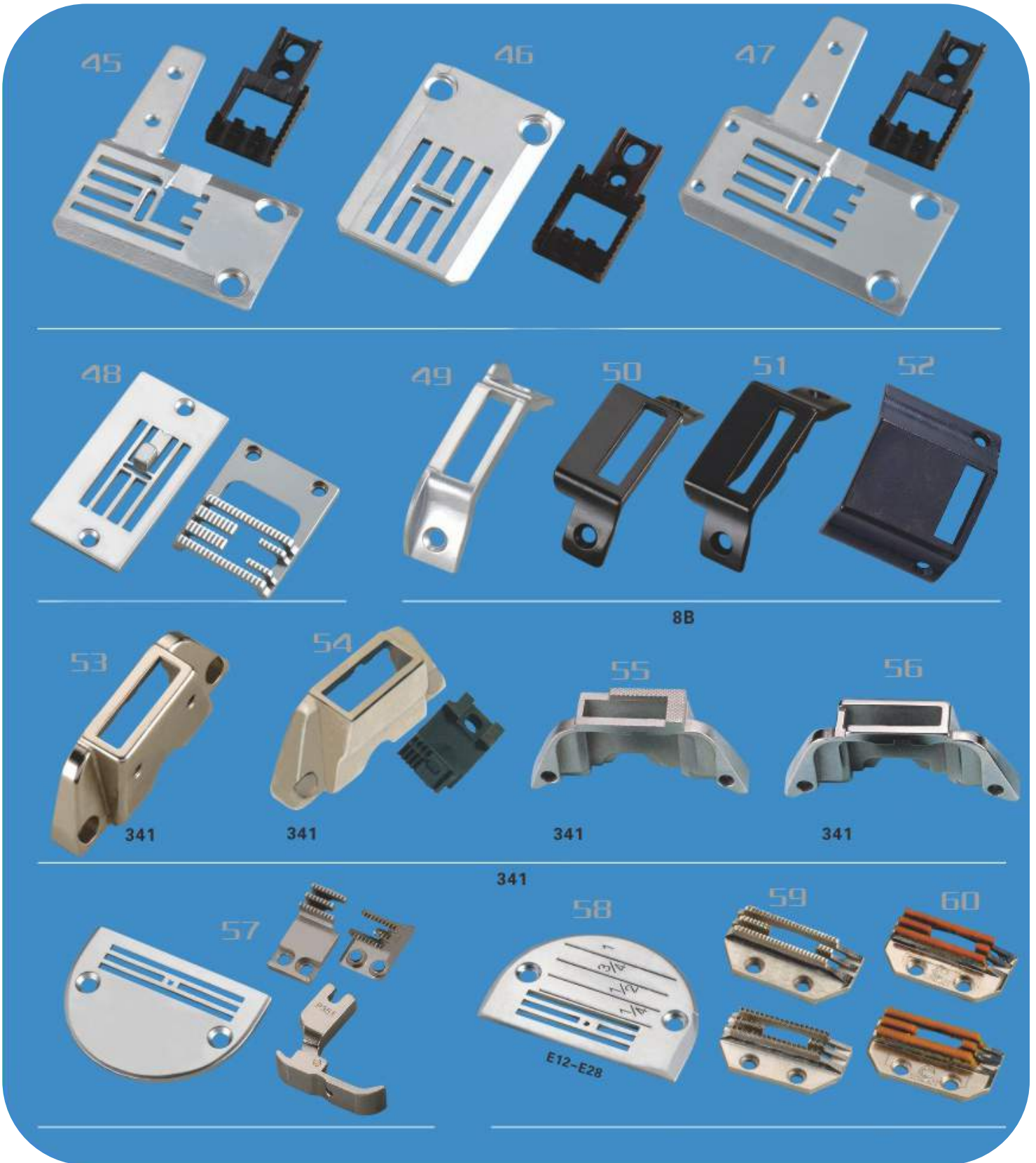


Needle Plate & Feed Dog Series



EM INDUSTRIAL SUPPLIES

Sewing and Cutting Machine Spares Supplier

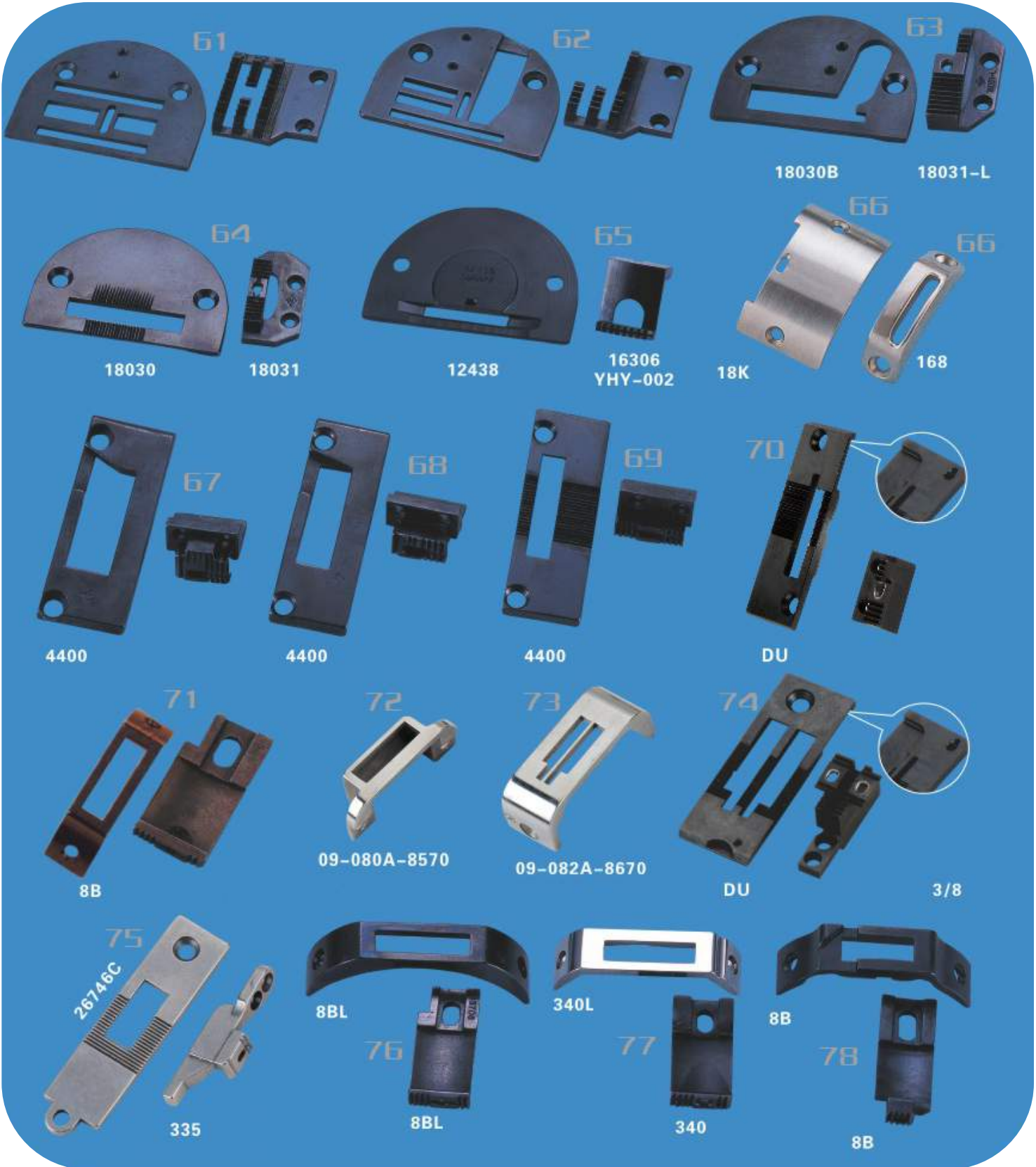


Needle Plate & Feed Dog Series



EM INDUSTRIAL SUPPLIES

Sewing and Cutting Machine Spares Supplier

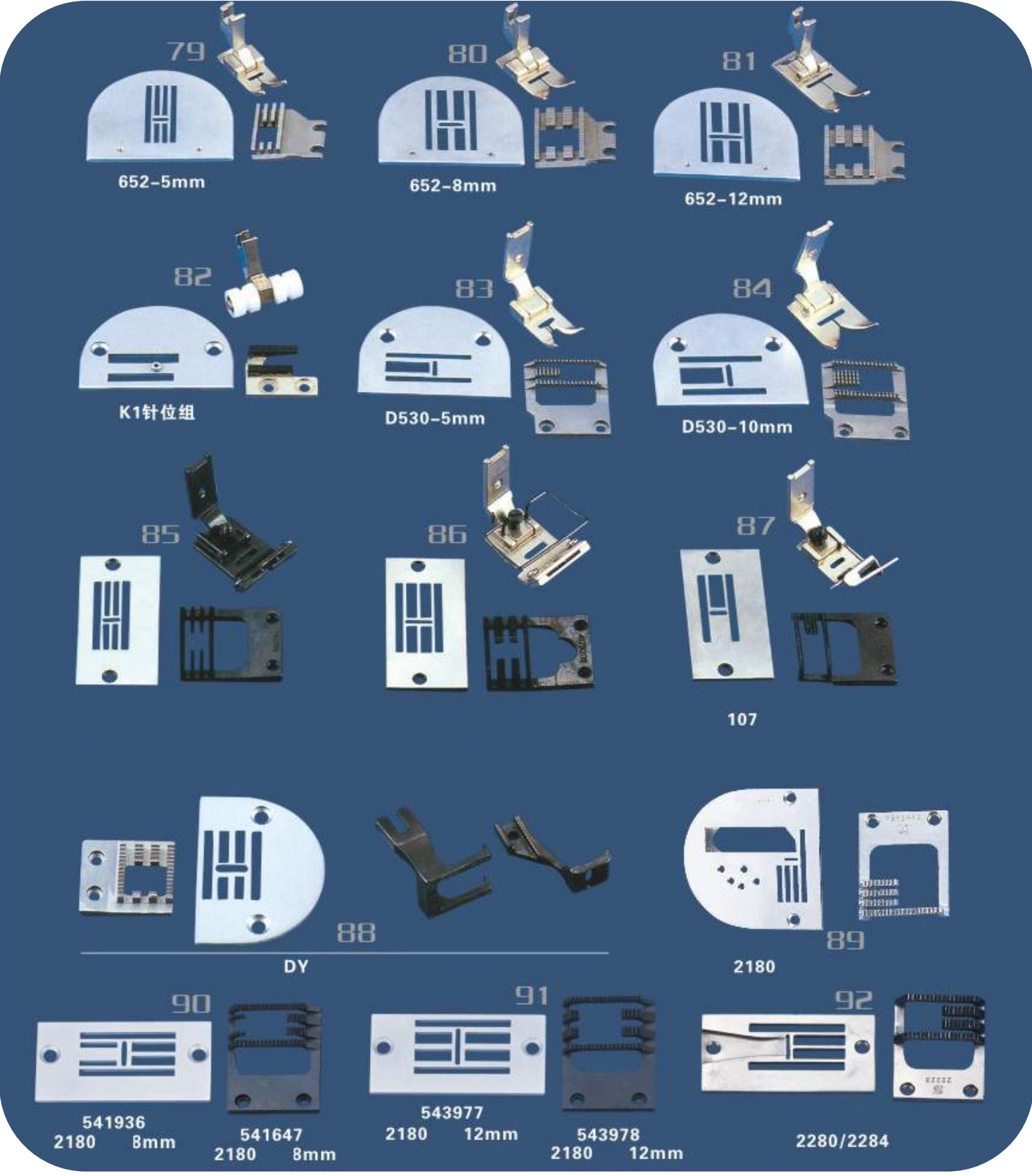


Needle Plate & Feed Dog Series



EM INDUSTRIAL SUPPLIES

Sewing and Cutting Machine Spares Supplier

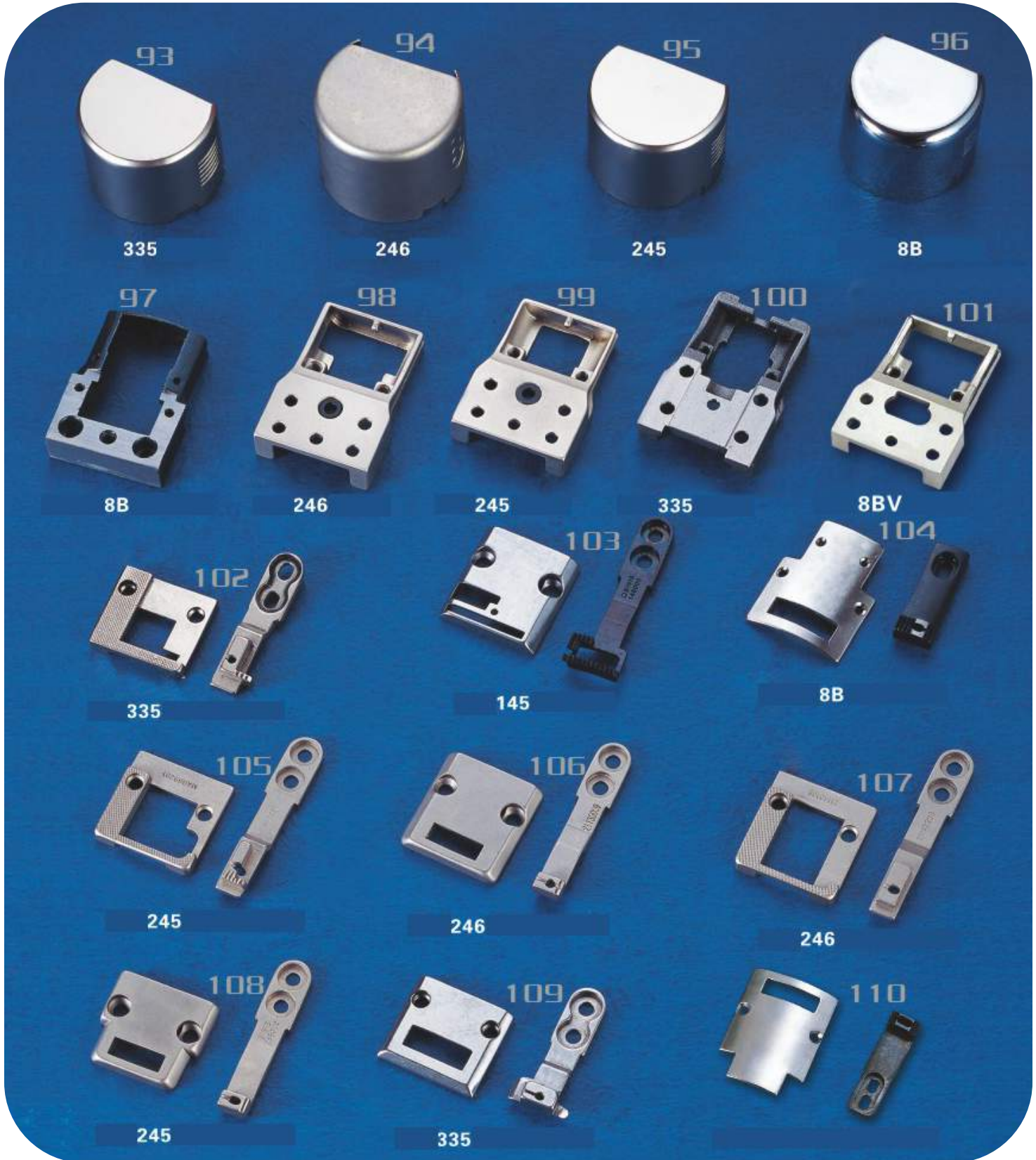


Needle Plate & Feed Dog Series



EM INDUSTRIAL SUPPLIES

Sewing and Cutting Machine Spares Supplier



Needle Plate & Feed Dog Series



EM INDUSTRIAL SUPPLIES

Sewing and Cutting Machine Spares Supplier

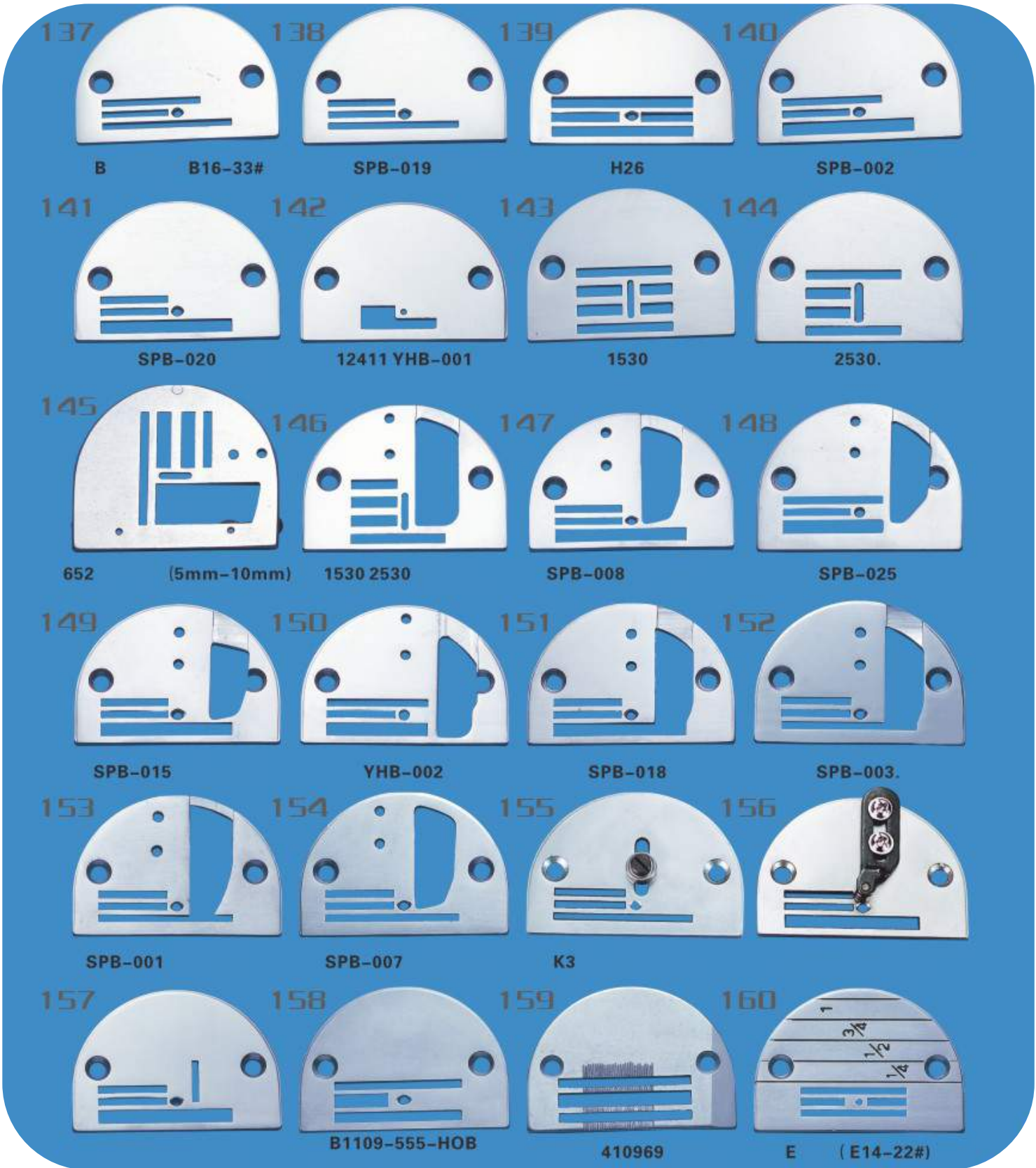


Needle Plate & Feed Dog Series



EM INDUSTRIAL SUPPLIES

Sewing and Cutting Machine Spares Supplier



Needle Plate & Feed Dog Series



EM INDUSTRIAL SUPPLIES

Sewing and Cutting Machine Spares Supplier



161

12481-R



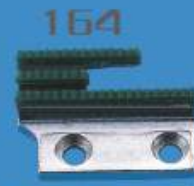
162

12481-TR



163

12481-R



164

12481-TR



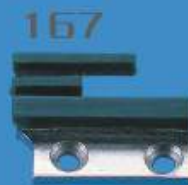
165

209-R



166

209-TR



167

209-R



168

209-TR



169

149057-R
(E)



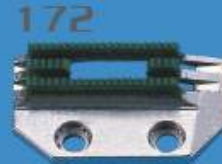
170

149057-TR
(E)



171

149057-R
(E)



172

149057-TR
(E)



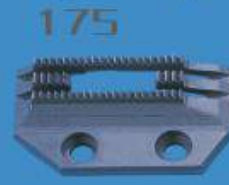
173

12481 (9T-22T)



174

(209-217)



175

1409057(E)



176

K1



177

B1613-555-H00



178

150793(H26)

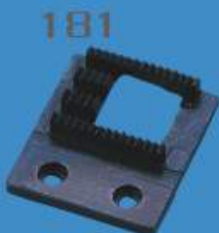


179

B1609-415-H00



180



181

2530



182

1530



183

DY



184

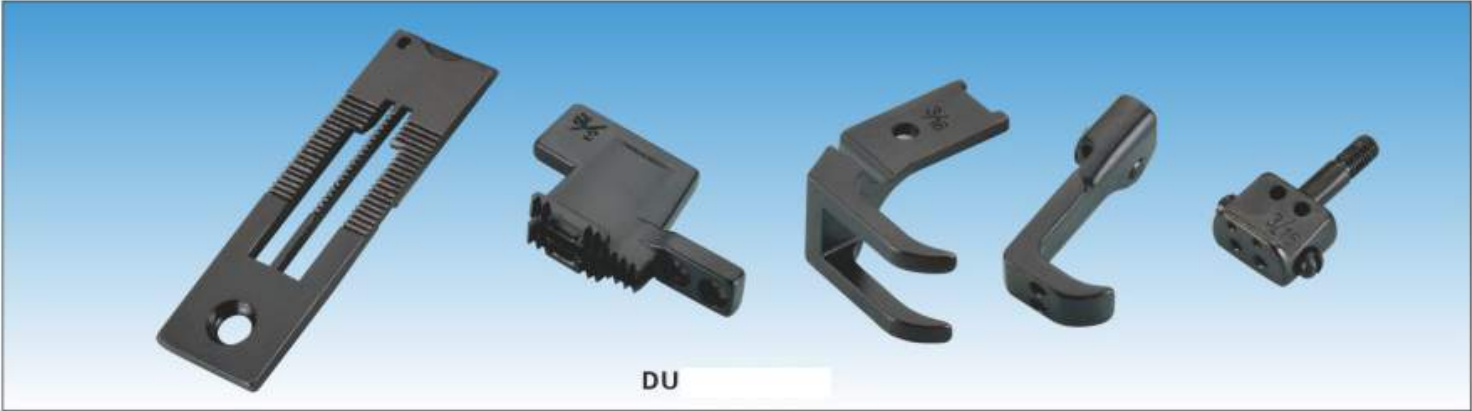
YHY-001

Gauge Set For Industrial Sewing Machines



EM INDUSTRIAL SUPPLIES

Sewing and Cutting Machine Spares Supplier



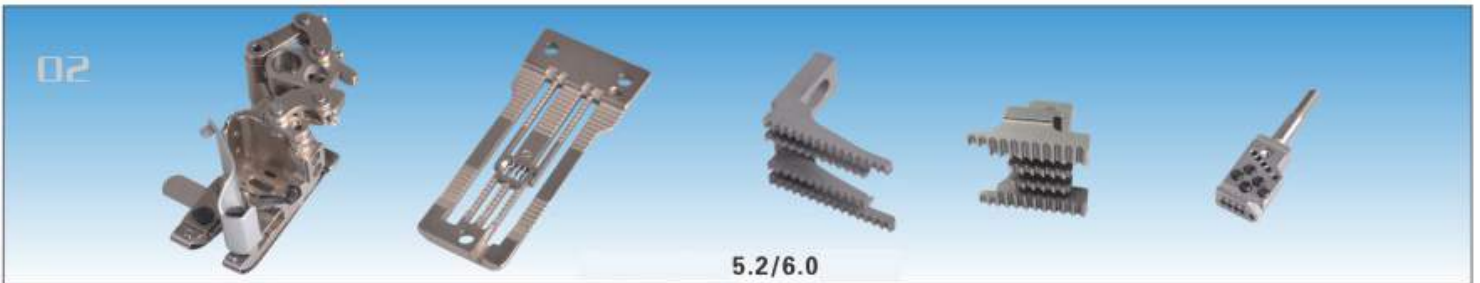
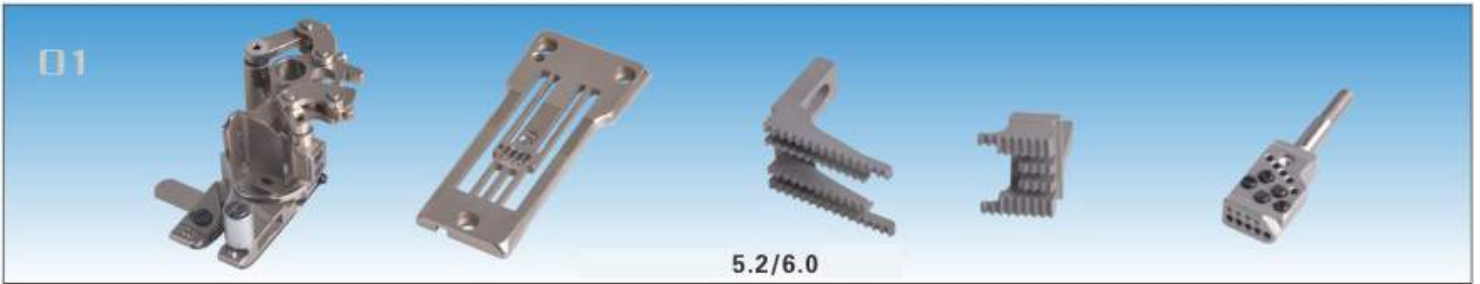
(英寸) INCH	(MM) MILIMETER	(英寸) INCH	(MM) MILIMETER	(英寸) INCH	(MM) MILIMETER
1/64	0.397	25/64	9.922	49/64	19.447
1/32	0.739	13/32	10.319	25/32	19.844
3/64	1.191	27/64	10.718	51/64	20.241
1/16	1.588	7/16	11.113	13/16	20.638
5/64	1.984	29/64	11.509	53/64	21.034
3/32	2.381	15/32	11.906	27/32	21.431
7/64	2.778	31/64	12.303	55/64	22.828
1/8	3.175	1/2	12.700	7/8	22.225
9/64	3.572	33/64	13.097	57/64	22.622
5/32	3.969	17/32	13.494	29/32	23.019
11/64	4.366	35/64	13.891	59/64	23.416
3/16	4.763	9/16	14.288	15/16	23.813
13/64	5.159	37/64	14.684	61/64	24.019
7/32	5.556	19/32	15.081	31/32	24.060
15/64	5.953	39/64	15.478	63/64	25.003
1/4	6.350	5/8	15.875	1	25.400
17/64	6.747	41/64	16.272	1-3/16	30.162
9/32	7.144	21/32	16.669	1-1/4	31.750
19/64	7.541	43/64	17.066	1-5/16	33.337
5/16	7.938	11/16	17.463	1-3/8	34.925
21/64	8.334	45/64	17.859	1-1/2	38.100
11/32	8.731	23/32	18.256	1-3/4	44.450
23/64	9.128	47/64	18.653	2	50.800
3/8	9.525	3/4	19.050		

Gauge Set For Industrial Sewing Machines



EM INDUSTRIAL SUPPLIES

Sewing and Cutting Machine Spares Supplier

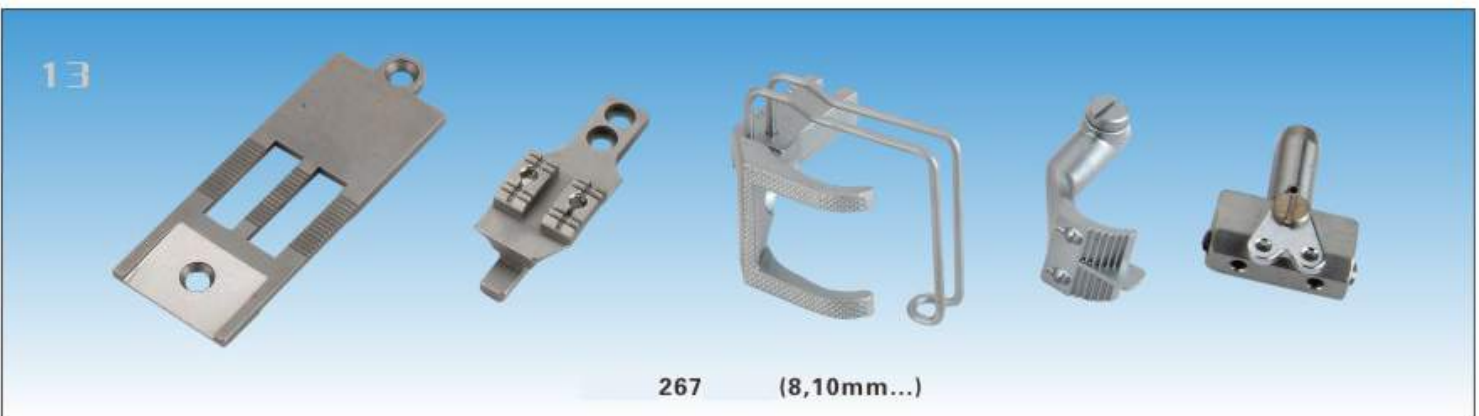


Gauge Set For Industrial Sewing Machines



EM INDUSTRIAL SUPPLIES

Sewing and Cutting Machine Spares Supplier

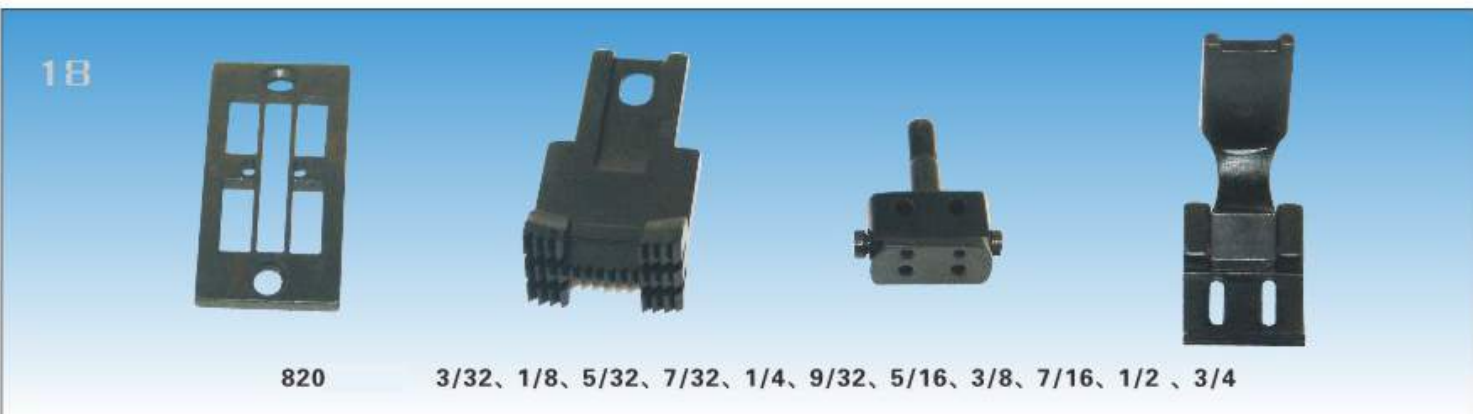
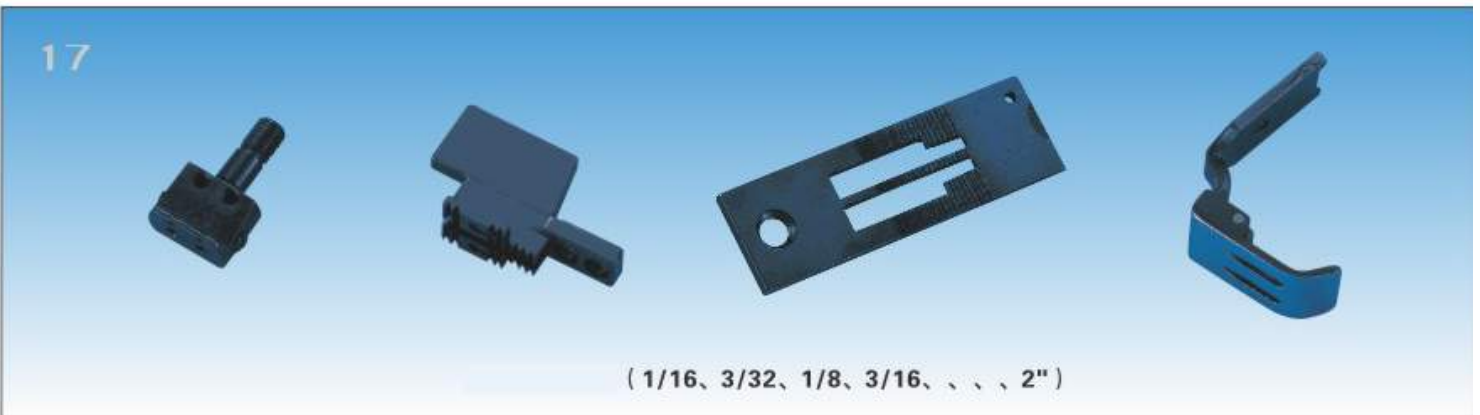


Gauge Set For Industrial Sewing Machines



EM INDUSTRIAL SUPPLIES

Sewing and Cutting Machine Spares Supplier

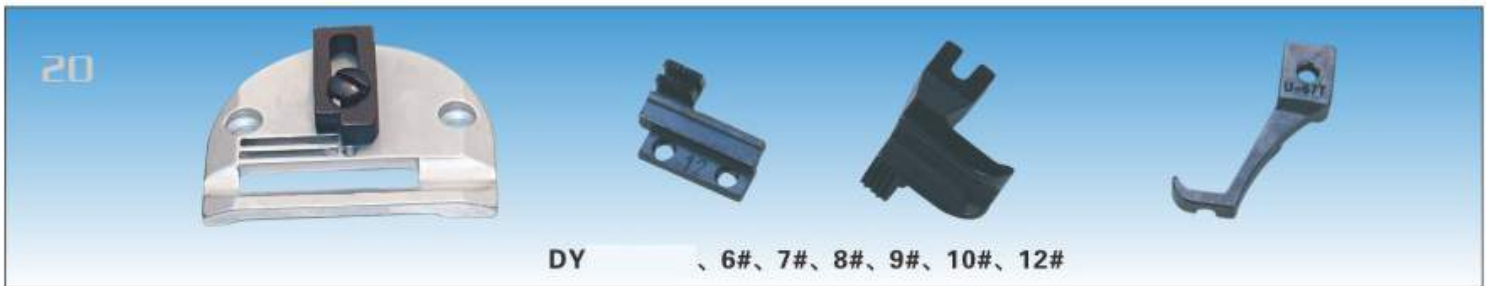


Gauge Set For Industrial Sewing Machines



EM INDUSTRIAL SUPPLIES

Sewing and Cutting Machine Spares Supplier



Gauge Set For Industrial Sewing Machines



EM INDUSTRIAL SUPPLIES

Sewing and Cutting Machine Spares Supplier

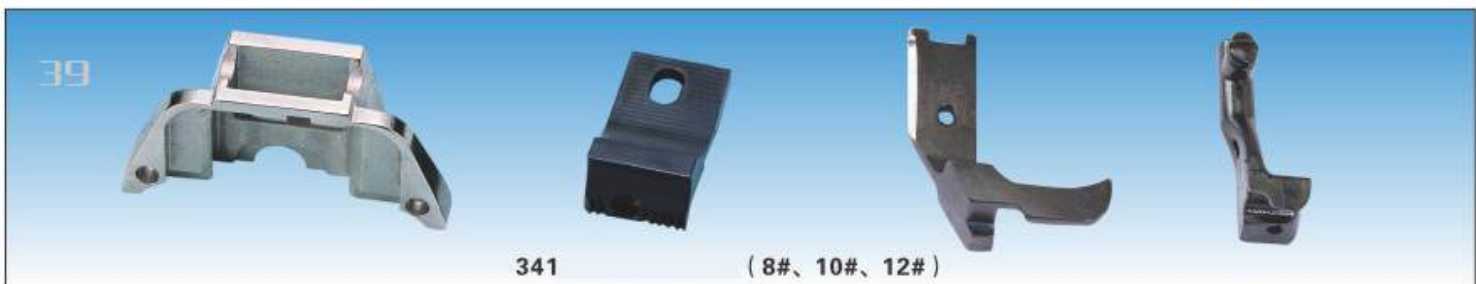
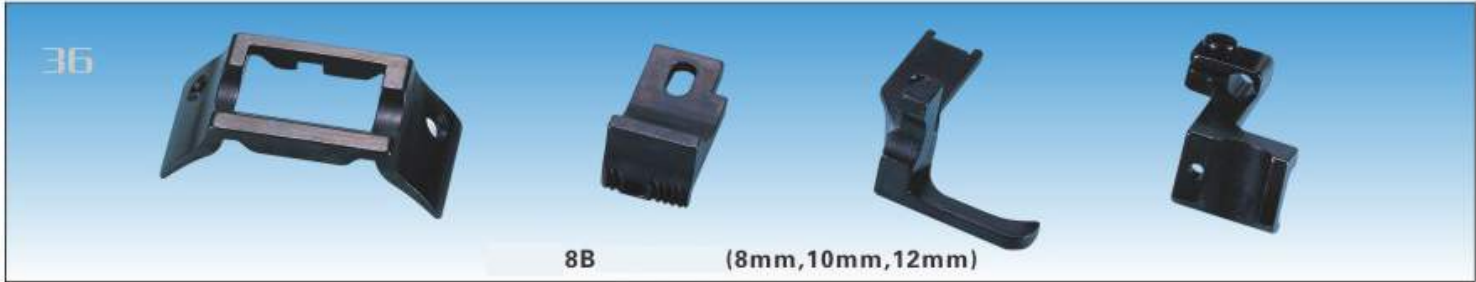


Gauge Set For Industrial Sewing Machines



EM INDUSTRIAL SUPPLIES

Sewing and Cutting Machine Spares Supplier



Gauge Set For Industrial Sewing Machines



EM INDUSTRIAL SUPPLIES

Sewing and Cutting Machine Spares Supplier

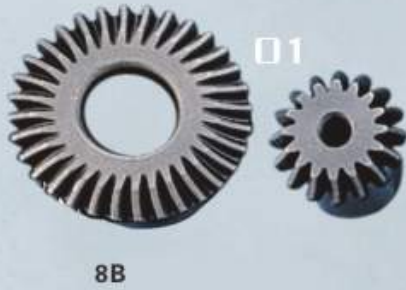


Gear Set & Roller Presser Assy



EM INDUSTRIAL SUPPLIES

Sewing and Cutting Machine Spares Supplier

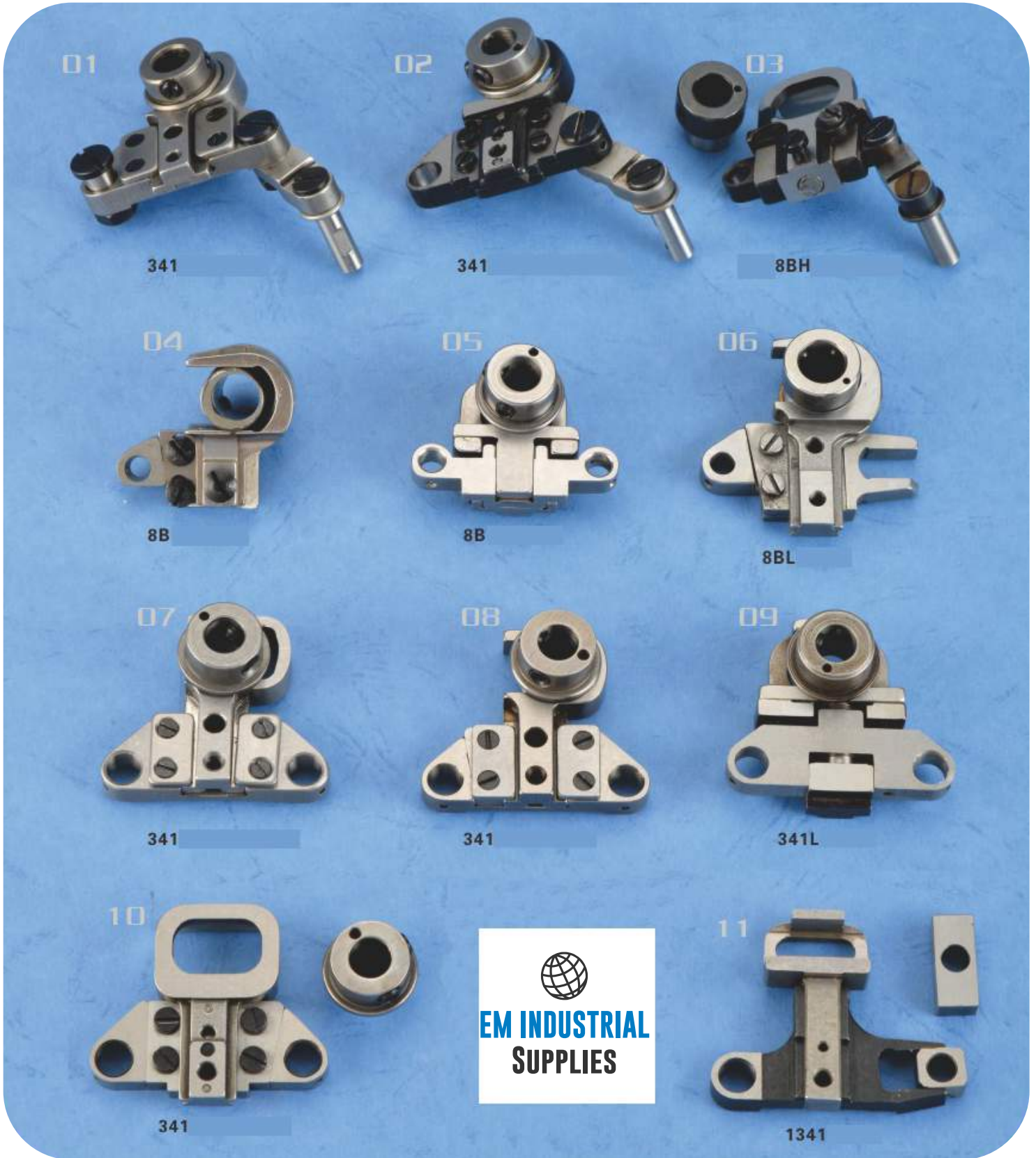


Feed Base Set Series



EM INDUSTRIAL SUPPLIES

Sewing and Cutting Machine Spares Supplier



Presser Bar & Needle Bar Series



EM INDUSTRIAL SUPPLIES

Sewing and Cutting Machine Spares Supplier



Presser Bar & Needle Bar Series



EM INDUSTRIAL SUPPLIES

Sewing and Cutting Machine Spares Supplier

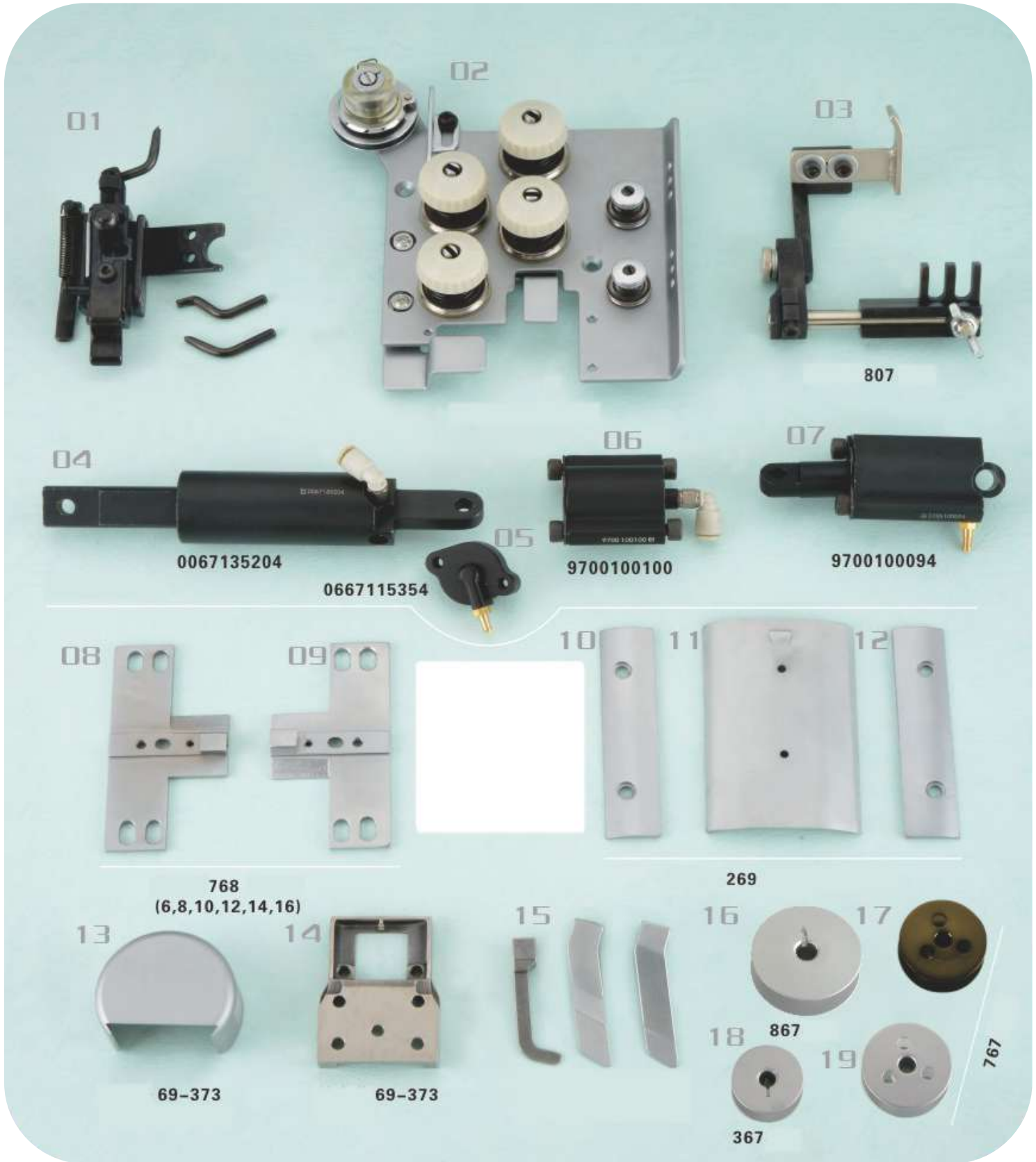


For Durkopp Adler



EM INDUSTRIAL SUPPLIES

Sewing and Cutting Machine Spares Supplier

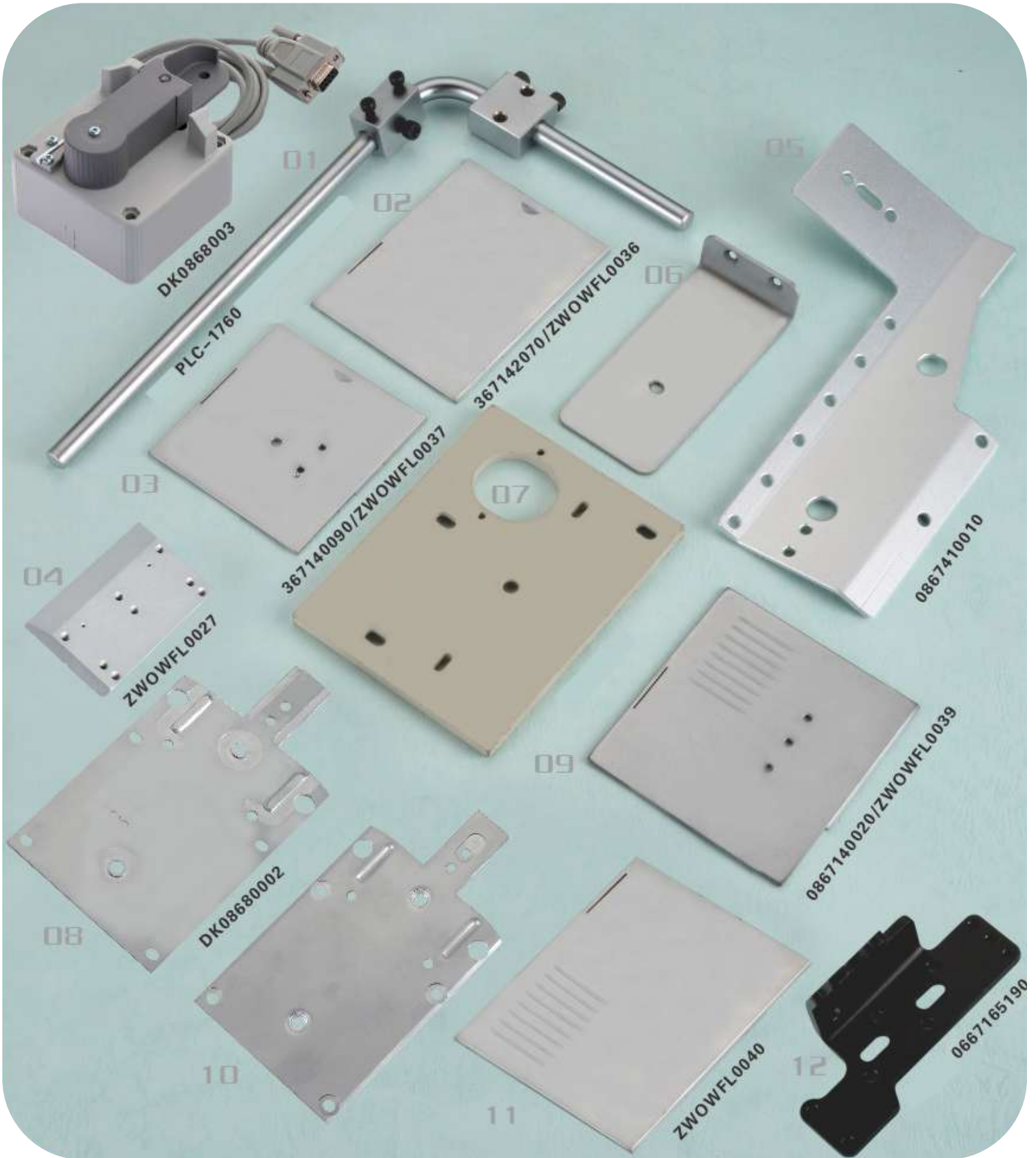


For Durkopp Adler



EM INDUSTRIAL SUPPLIES

Sewing and Cutting Machine Spares Supplier



For Durkopp Adler



EM INDUSTRIAL SUPPLIES

Sewing and Cutting Machine Spares Supplier



For Durkopp Adler



EM INDUSTRIAL SUPPLIES

Sewing and Cutting Machine Spares Supplier



For Durkopp Adler



EM INDUSTRIAL SUPPLIES

Sewing and Cutting Machine Spares Supplier



For Durkopp Adler



EM INDUSTRIAL SUPPLIES

Sewing and Cutting Machine Spares Supplier



For PFAFF 591/571/574



EM INDUSTRIAL SUPPLIES

Sewing and Cutting Machine Spares Supplier



For PFAFF 591/571/574



EM INDUSTRIAL SUPPLIES

Sewing and Cutting Machine Spares Supplier

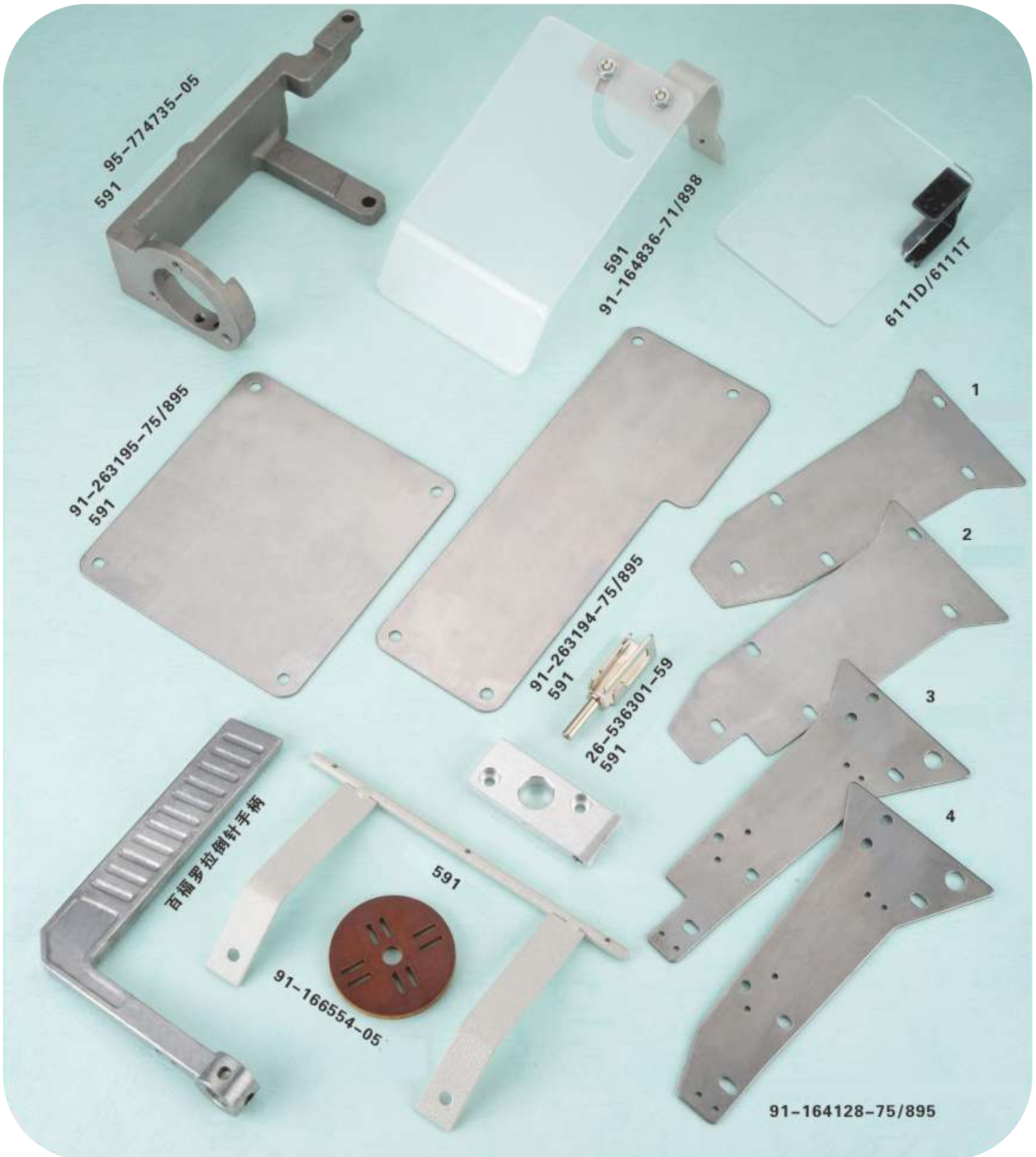


For PFAFF 591/571/574



EM INDUSTRIAL SUPPLIES

Sewing and Cutting Machine Spares Supplier



For PFAFF 591/571/574



EM INDUSTRIAL SUPPLIES

Sewing and Cutting Machine Spares Supplier



Post Cap Assy & Face Plate Series



EM INDUSTRIAL SUPPLIES

Sewing and Cutting Machine Spares Supplier



For Golden Wheel 8810/8820



EM INDUSTRIAL SUPPLIES

Sewing and Cutting Machine Spares Supplier



For TK-801/CS - 747



EM INDUSTRIAL SUPPLIES

Sewing and Cutting Machine Spares Supplier



For Camoga 420 & Fortuna 320



EM INDUSTRIAL SUPPLIES

Sewing and Cutting Machine Spares Supplier



For Searima 168



EM INDUSTRIAL SUPPLIES

Sewing and Cutting Machine Spares Supplier



For Searima 168



EM INDUSTRIAL SUPPLIES

Sewing and Cutting Machine Spares Supplier



For Searima 168



EM INDUSTRIAL SUPPLIES

Sewing and Cutting Machine Spares Supplier



For Juki 441/471/CS-441/471



EM INDUSTRIAL SUPPLIES

Sewing and Cutting Machine Spares Supplier



For 600/450/967



EM INDUSTRIAL SUPPLIES

Sewing and Cutting Machine Spares Supplier



For 600/450/967



EM INDUSTRIAL SUPPLIES

Sewing and Cutting Machine Spares Supplier



For 600/450/967



EM INDUSTRIAL SUPPLIES

Sewing and Cutting Machine Spares Supplier

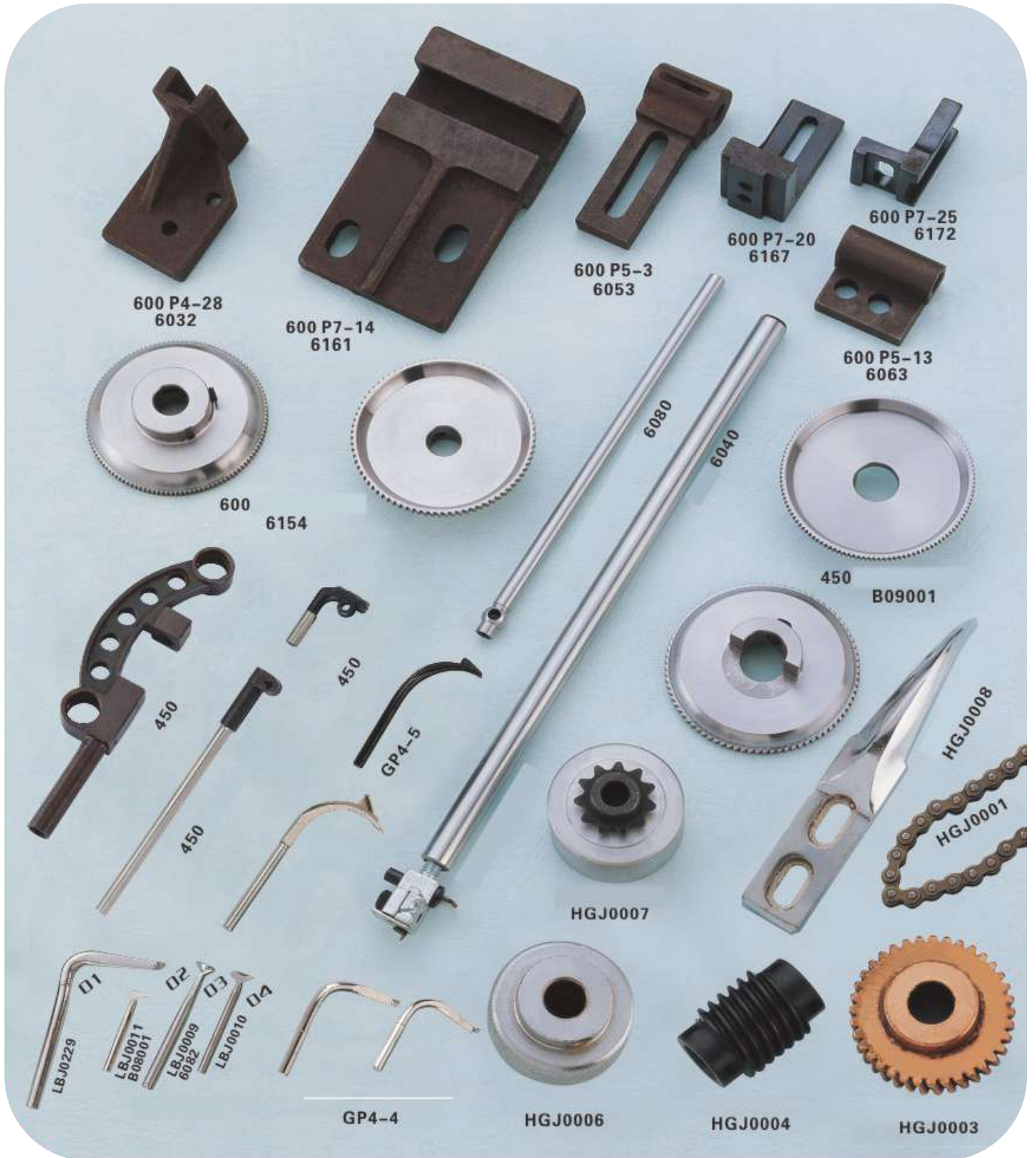


For 600/450/967 & TK-25



EM INDUSTRIAL SUPPLIES

Sewing and Cutting Machine Spares Supplier



For DY-201/202



EM INDUSTRIAL SUPPLIES

Sewing and Cutting Machine Spares Supplier



For Jumbo King 810/820



EM INDUSTRIAL SUPPLIES

Sewing and Cutting Machine Spares Supplier

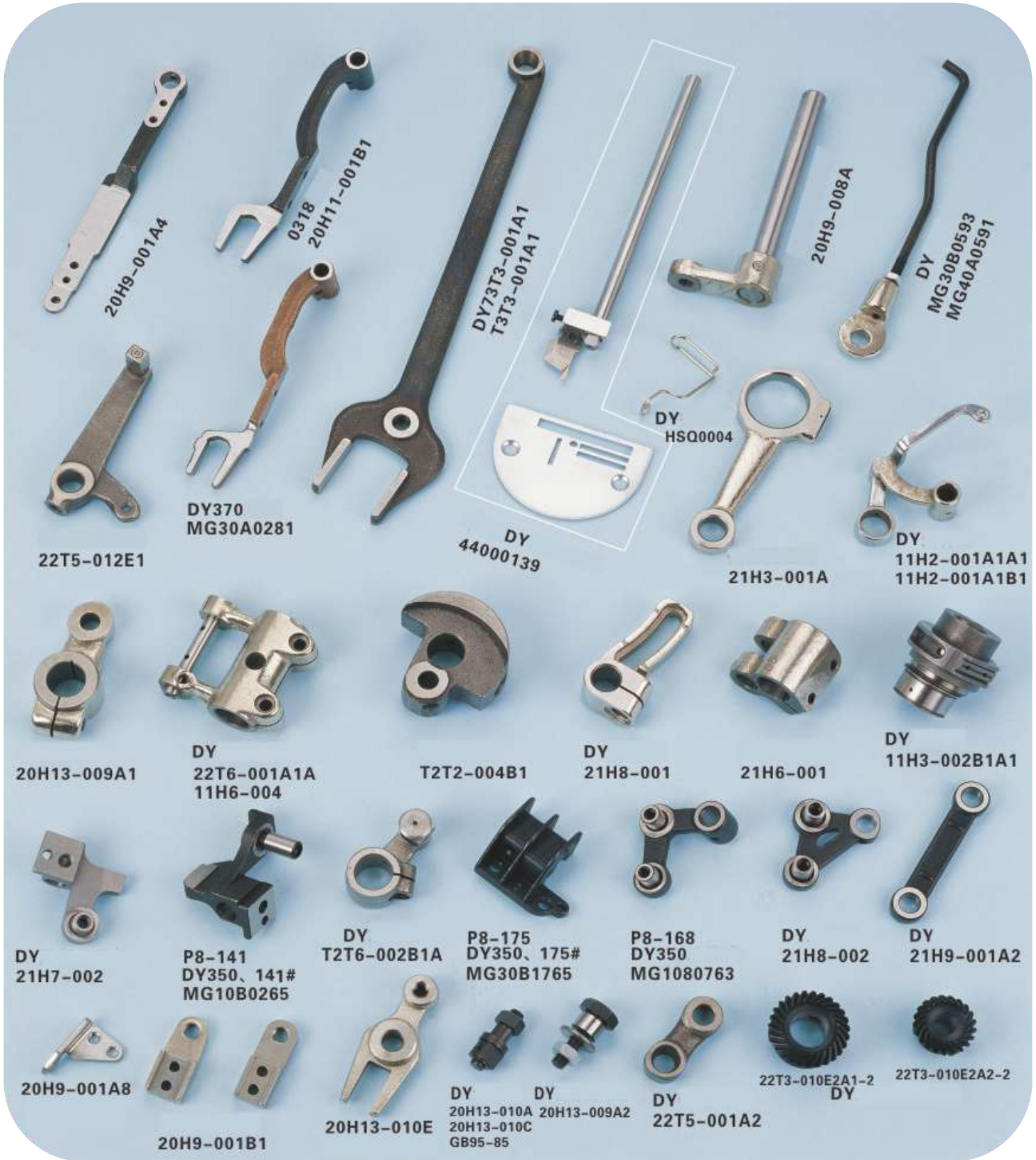


For Highlead 0318 & Mitsubishi 370



EM INDUSTRIAL SUPPLIES

Sewing and Cutting Machine Spares Supplier



For Typical 0303D/0302



EM INDUSTRIAL SUPPLIES

Sewing and Cutting Machine Spares Supplier

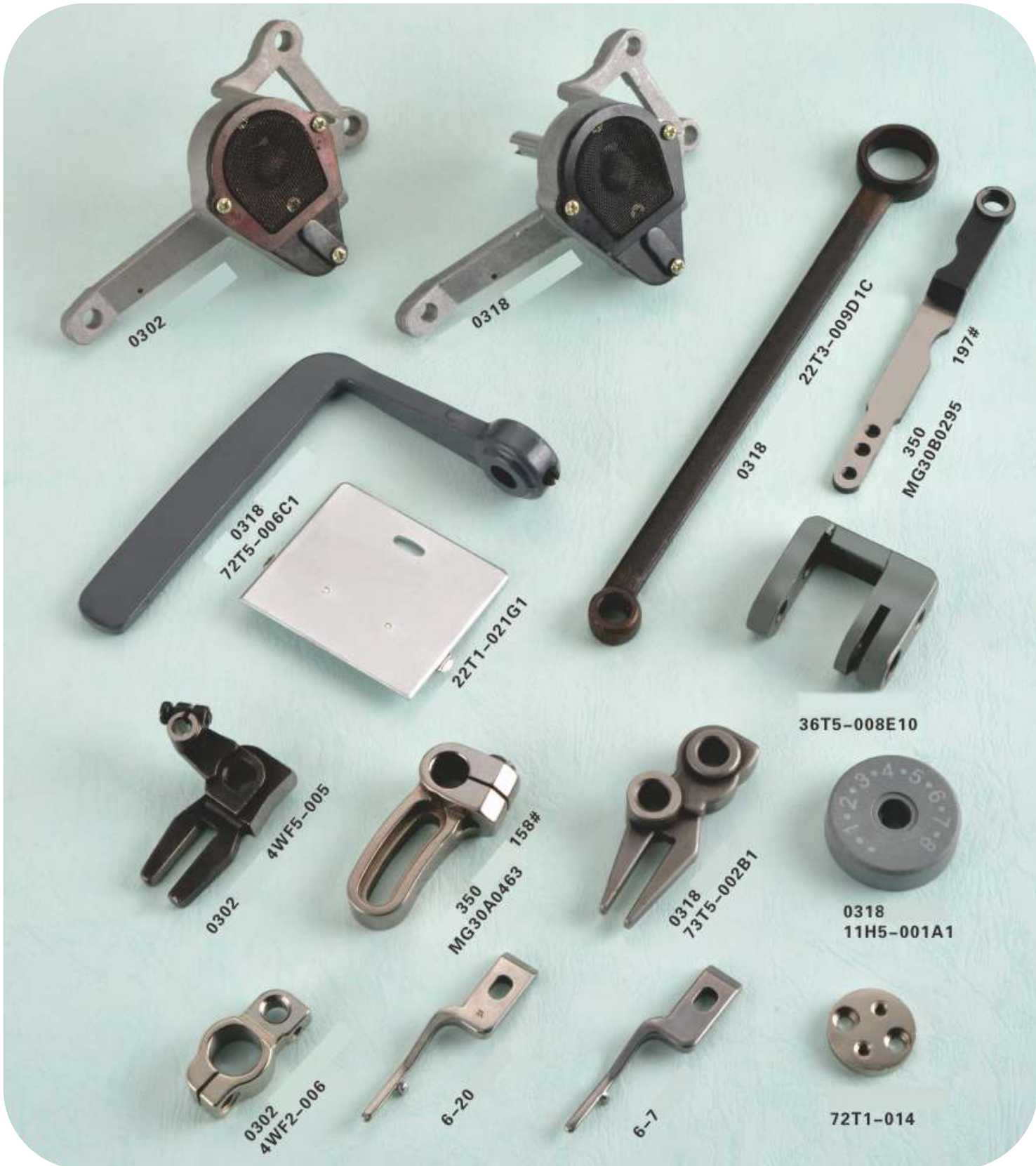


For Highlead 0318 & Typical 0302 & Mitsubishi 370



EM INDUSTRIAL SUPPLIES

Sewing and Cutting Machine Spares Supplier

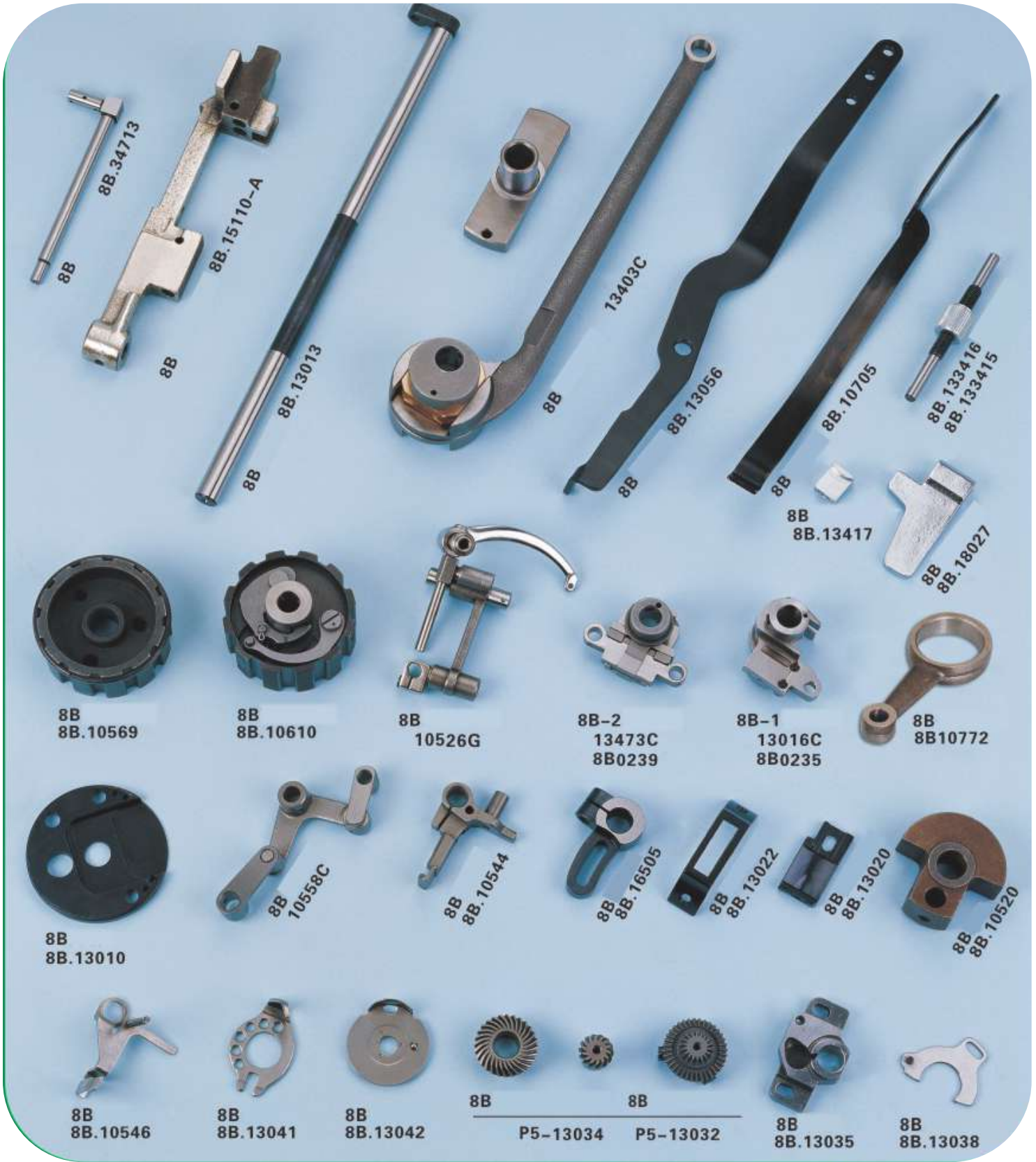


For Seiko LCW-8B



EM INDUSTRIAL SUPPLIES

Sewing and Cutting Machine Spares Supplier

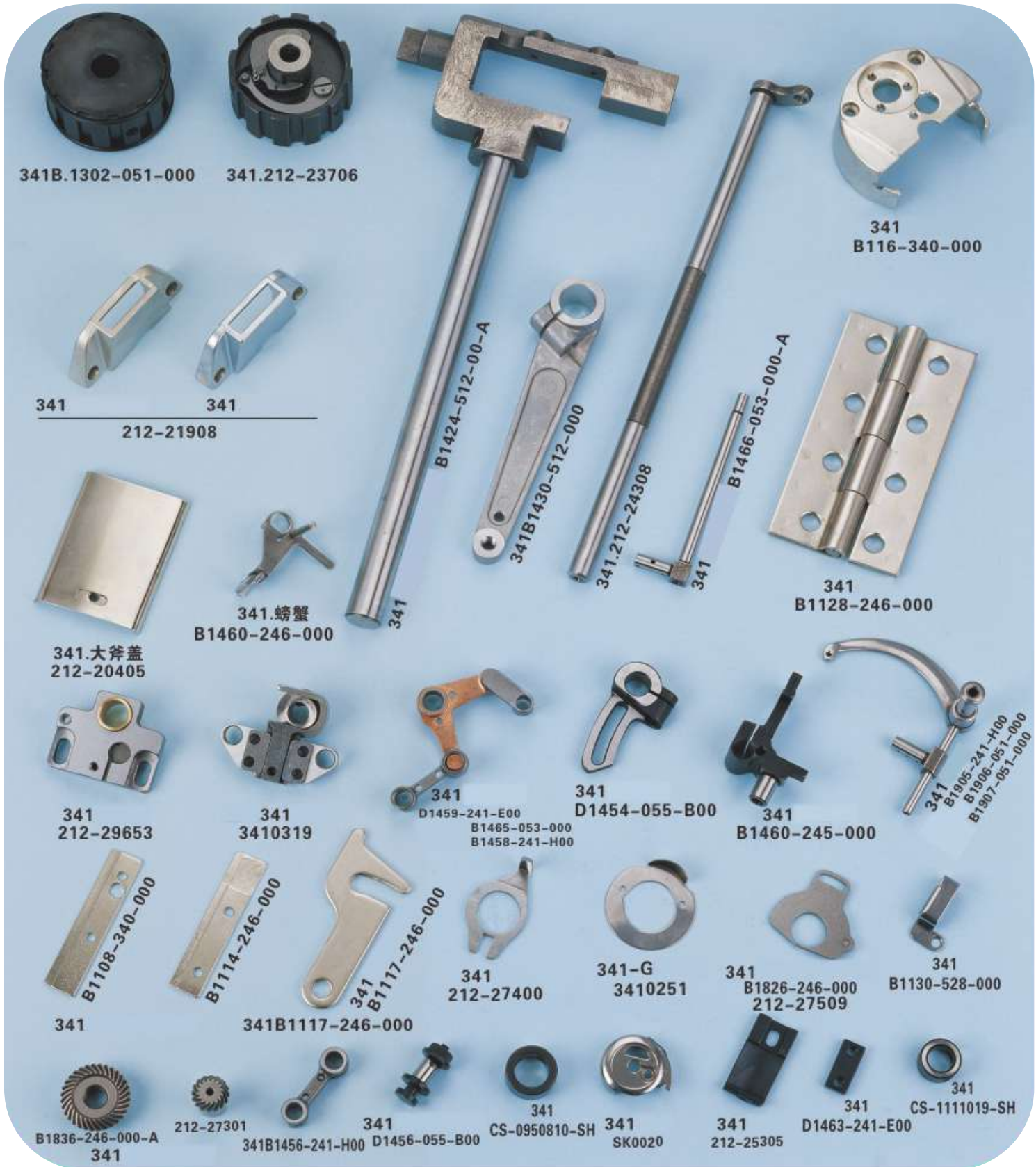


For Juki 341



EM INDUSTRIAL SUPPLIES

Sewing and Cutting Machine Spares Supplier



For Juki 1341



EM INDUSTRIAL SUPPLIES

Sewing and Cutting Machine Spares Supplier



For Juki 245/246



EM INDUSTRIAL SUPPLIES

Sewing and Cutting Machine Spares Supplier



For Jumbo King 335



EM INDUSTRIAL SUPPLIES

Sewing and Cutting Machine Spares Supplier



For Mitsubishi 4400



EM INDUSTRIAL SUPPLIES

Sewing and Cutting Machine Spares Supplier



For Brother 652



EM INDUSTRIAL SUPPLIES

Sewing and Cutting Machine Spares Supplier



For Brother 652



EM INDUSTRIAL SUPPLIES

Sewing and Cutting Machine Spares Supplier



For Golden Wheel CS-2180



EM INDUSTRIAL SUPPLIES

Sewing and Cutting Machine Spares Supplier



For Golden Wheel CS-2180



EM INDUSTRIAL SUPPLIES

Sewing and Cutting Machine Spares Supplier

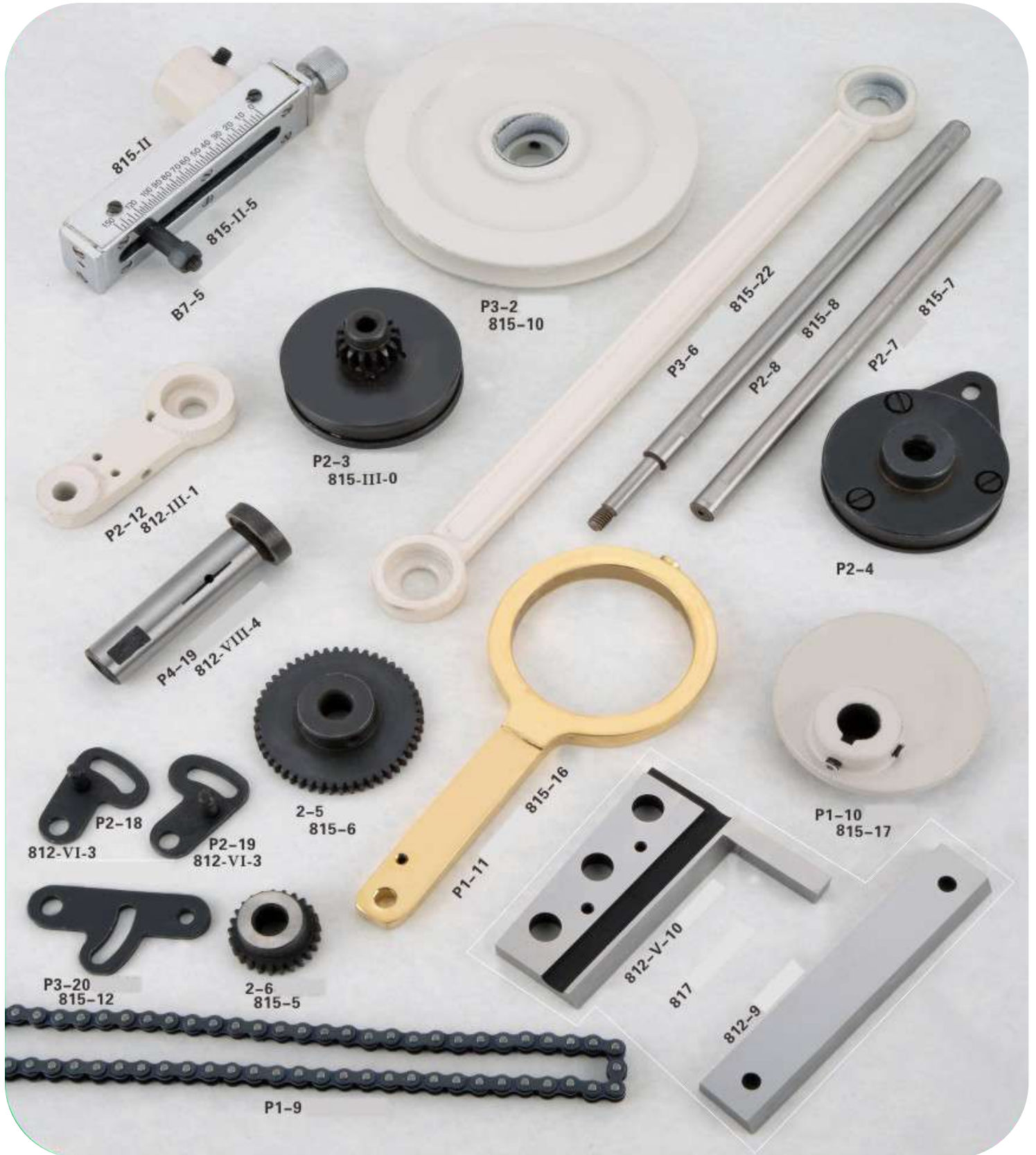


For XQ-812/815/817



EM INDUSTRIAL SUPPLIES

Sewing and Cutting Machine Spares Supplier



(Accessories Series) Belt Cover/Motor Cover



EM INDUSTRIAL SUPPLIES

Sewing and Cutting Machine Spares Supplier



(Accessories Series) Belt Cover/Motor Cover



EM INDUSTRIAL SUPPLIES

Sewing and Cutting Machine Spares Supplier



(Accessories Series) Belt Cover/Motor Cover



EM INDUSTRIAL SUPPLIES

Sewing and Cutting Machine Spares Supplier



(Accessories Series) Belt Cover/Motor Cover



Sewing and Cutting Machine Spares Supplier

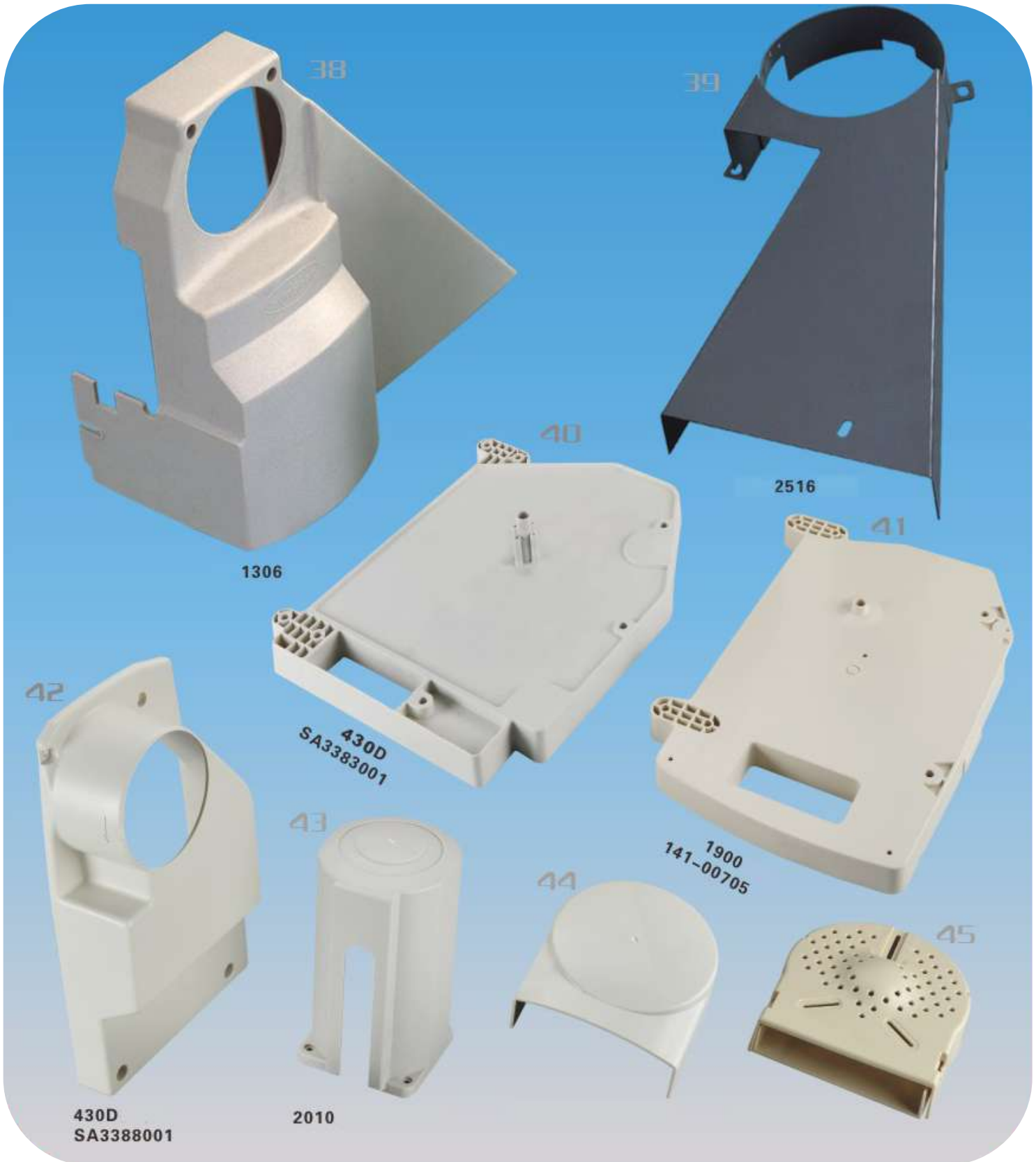


(Accessories Series) Belt Cover/Motor Cover & Oil Pan



EM INDUSTRIAL SUPPLIES

Sewing and Cutting Machine Spares Supplier



(Accessories Series) Belt Cover/Motor Cover



EM INDUSTRIAL SUPPLIES

Sewing and Cutting Machine Spares Supplier

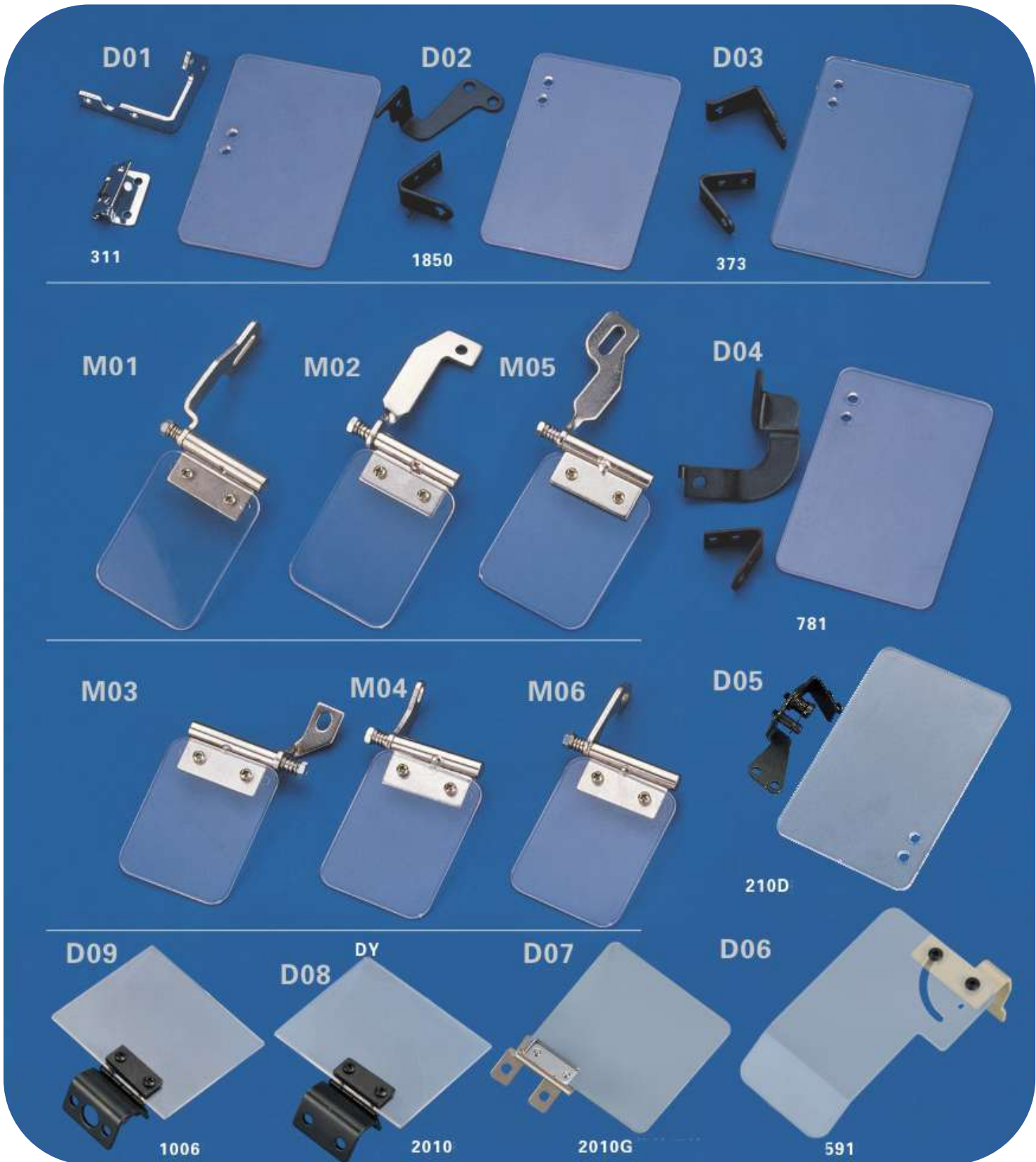


(Accessories Series) Eye Guard Assy



EM INDUSTRIAL SUPPLIES

Sewing and Cutting Machine Spares Supplier

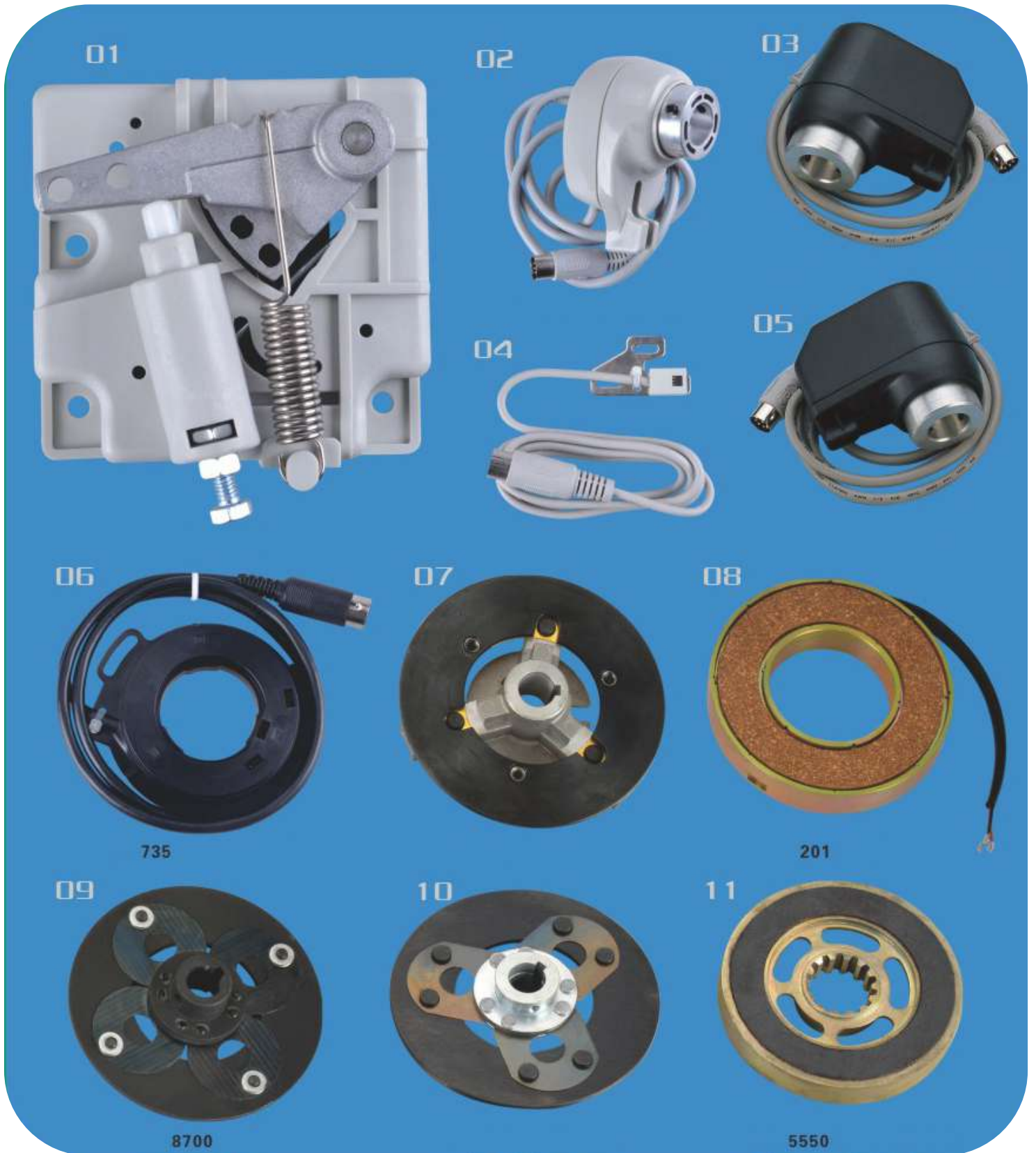


(Accessories Series) Servo Motor Parts



EM INDUSTRIAL SUPPLIES

Sewing and Cutting Machine Spares Supplier



Accessories Series



EM INDUSTRIAL SUPPLIES

Sewing and Cutting Machine Spares Supplier



(Accessories Series) Slitting Machine Parts & Wave/Straight Knives



Sewing and Cutting Machine Spares Supplier

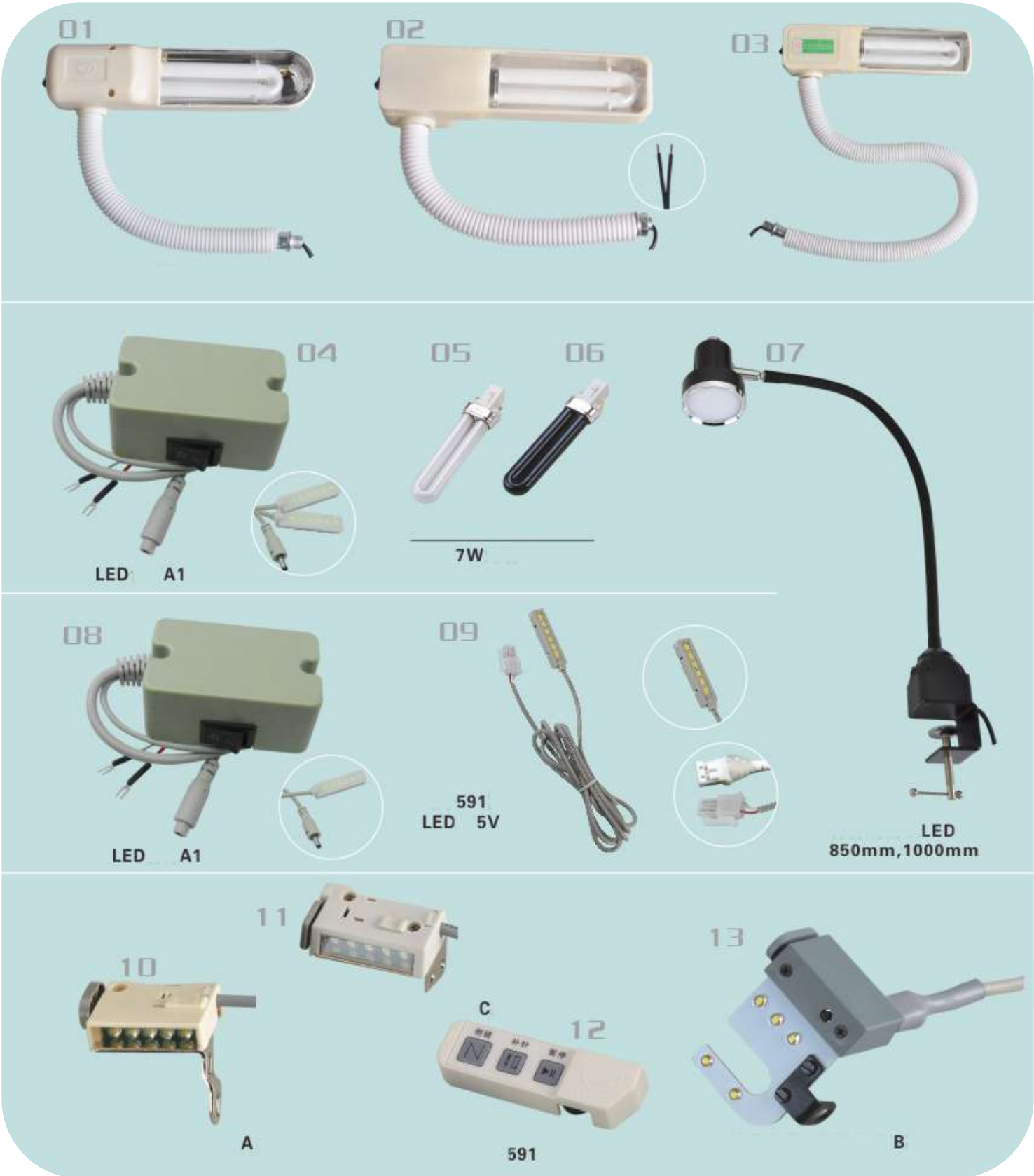


(Accessories Series) Sewing Machine Lights



EM INDUSTRIAL SUPPLIES

Sewing and Cutting Machine Spares Supplier



(Accessories Series) Sewing Machine Lights



Sewing and Cutting Machine Spares Supplier

14



LED 10

15



LED 10

16



LED 20

17



LED 30

18



LED 15

19



LED 30

20



LED 30

21



LED 20

(Accessories Series) Tool Series



EM INDUSTRIAL SUPPLIES

Sewing and Cutting Machine Spares Supplier



01



02



03



04



05



06



07



08



09



10



11



12



13



14



15



16



17



18 1#



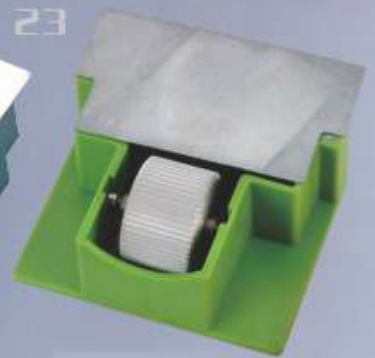
19 2#

(Accessories Series) Tool Series



EM INDUSTRIAL SUPPLIES

Sewing and Cutting Machine Spares Supplier



3.0L



(0.9~3.0L)



(Accessories Series) Tool Series



EM INDUSTRIAL SUPPLIES

Sewing and Cutting Machine Spares Supplier

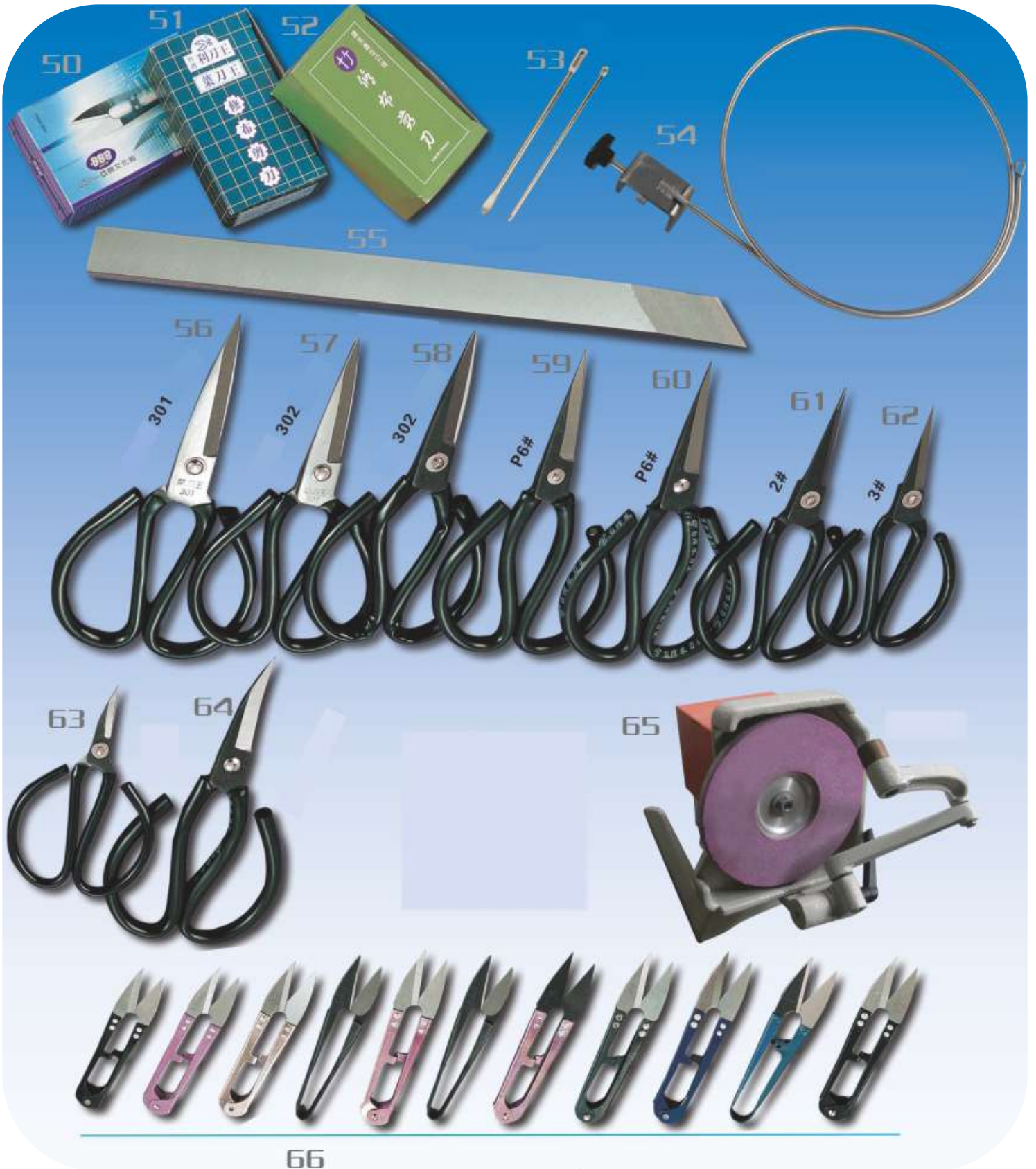


(Accessories Series) Tool Series



EM INDUSTRIAL SUPPLIES

Sewing and Cutting Machine Spares Supplier



(Accessories Series) Thread Stand & Bobbin Winder



EM INDUSTRIAL SUPPLIES

Sewing and Cutting Machine Spares Supplier



(Accessories Series) Thread Stand & Bobbin Winder



Sewing and Cutting Machine Spares Supplier

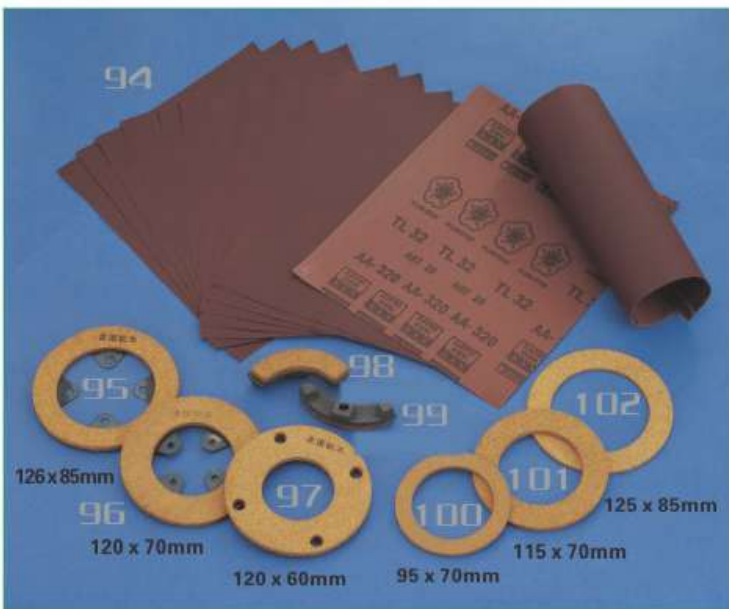
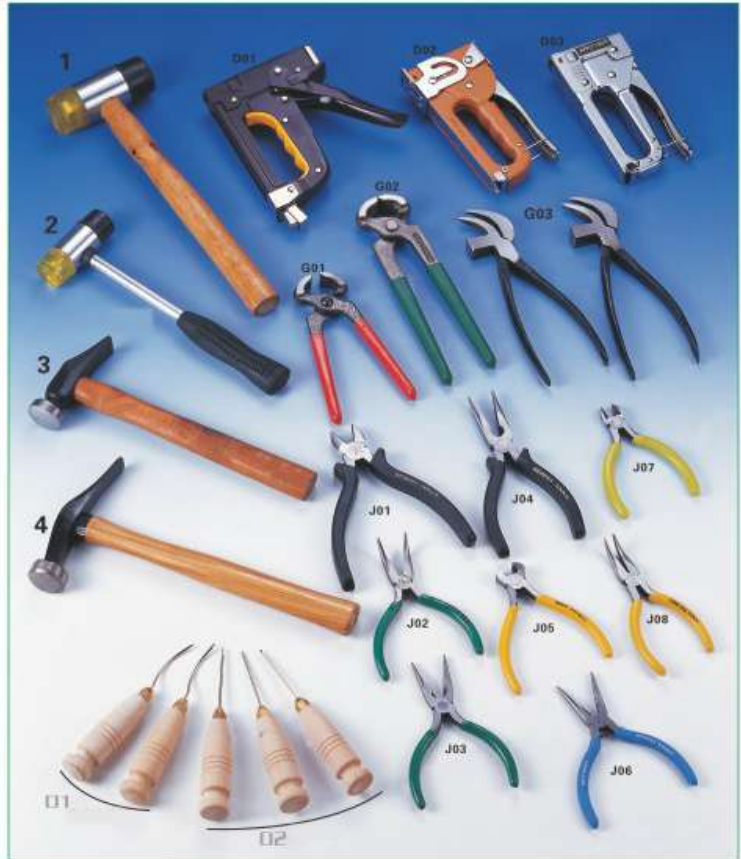


Accessories Series



EM INDUSTRIAL SUPPLIES

Sewing and Cutting Machine Spares Supplier



EM INDUSTRIAL SUPPLIES

64 Shetland Drive
Queens Park
Bulawayo
Zimbabwe

2 Premier Place
Industrial Park
Durban, KZN
South Africa

Flat 7,
192 Edward Road,
B12 9LX
United Kingdom

We are professional suppliers of sewing machine fittings and we provide all kinds of sewing machine parts and accessories. New items are always added to our website product list. If you are interested in our products or want to place an order, please contact us via the details below:

Sewing and Cutting Machine Spares Supplier

- @ emindustrial@telkomsa.net
- ☎ (+27) 074 918 1839
- 🌐 www.emgroupsa.co.za
- 🌐 www.emindustrialsupplies.com

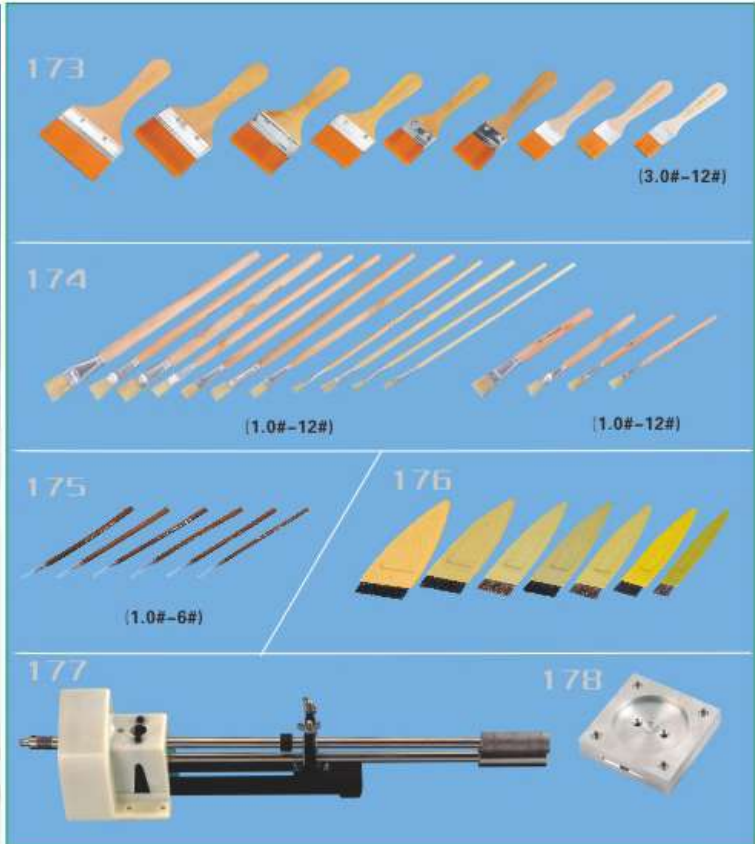
We reply within 24 hours

(Accessories Series) Bobbin & Mercury Pen



EM INDUSTRIAL SUPPLIES

Sewing and Cutting Machine Spares Supplier



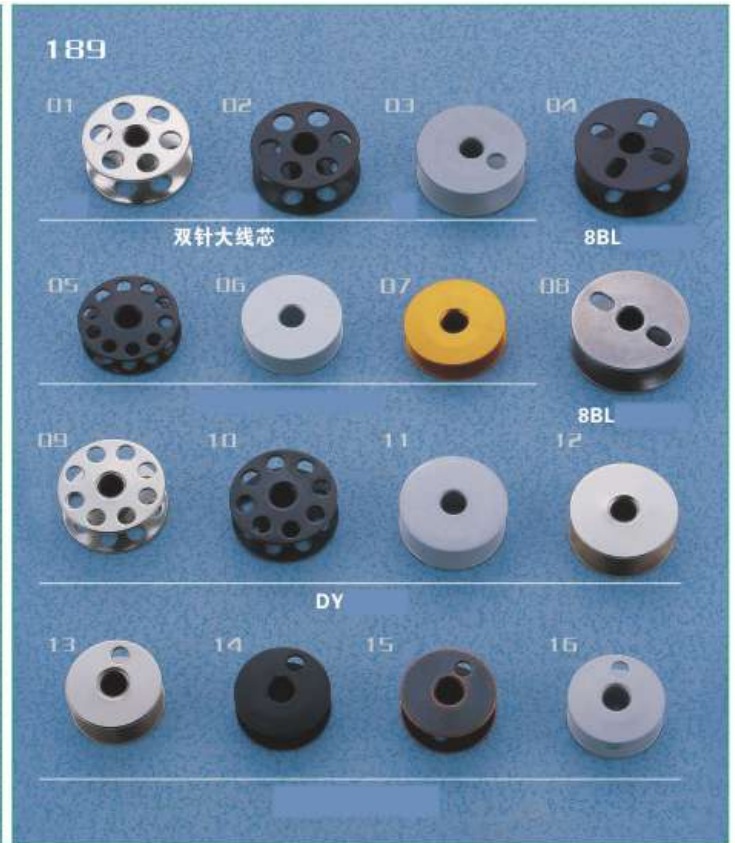
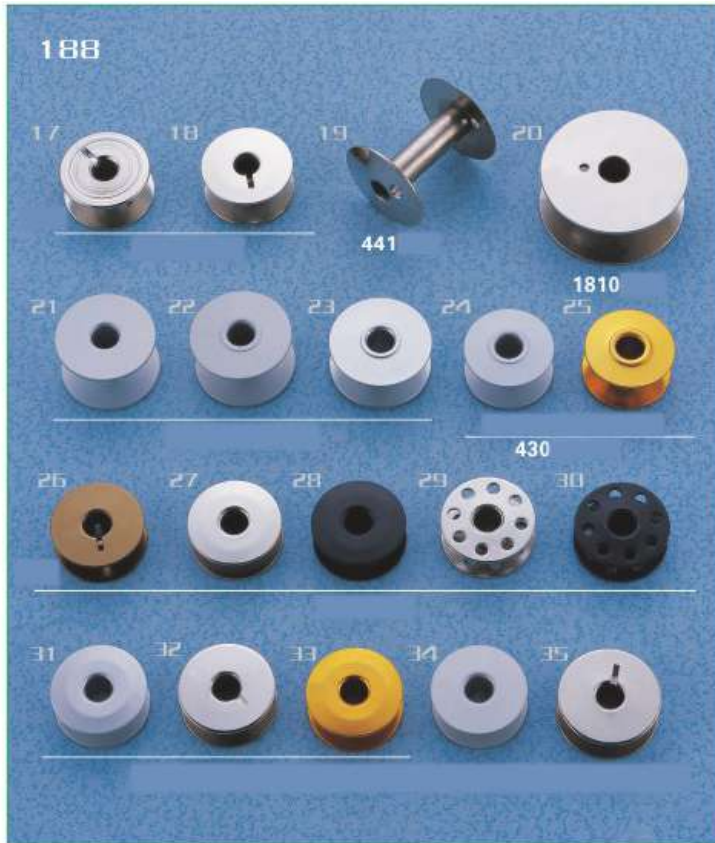
EM INDUSTRIAL SUPPLIES

(Accessories Series) Bobbin & Mercury Pen



EM INDUSTRIAL SUPPLIES

Sewing and Cutting Machine Spares Supplier



EM INDUSTRIAL SUPPLIES

(Accessories Series) Tool Series



EM INDUSTRIAL SUPPLIES

Sewing and Cutting Machine Spares Supplier



(YC-18)

A



(Accessories Series) Bobbin & Mercury Pen



EM INDUSTRIAL SUPPLIES

Sewing and Cutting Machine Spares Supplier



EM INDUSTRIAL SUPPLIES

Sewing and Cutting Machine Spares Supplier

We are professional suppliers of sewing machine fittings and we provide all kinds of sewing machine parts and accessories. New items are always added to our website product list. If you are interested in our products or want to place an order, please contact us via the details below:



- @ emindustrial@telkomsa.net
- ☎ (+27) 074 918 1839
- 🌐 www.emgroupsa.co.za
- 🌐 www.emindustrialsupplies.com

OUR BRANCHES

64 Shetland Drive
Queens Park
Bulawayo
Zimbabwe

2 Premier Place
Industrial Park
Durban, KZN
South Africa

Flat 7,
192 Edward Road,
B12 9LX
United Kingdom



(Accessories Series) Tool Series



EM INDUSTRIAL SUPPLIES

Sewing and Cutting Machine Spares Supplier



**EM INDUSTRIAL
SUPPLIES**

Sewing and Cutting Machine Spares Supplier

- @ emindustrial@telkomsa.net
- ☎ (+27) 074 918 1839
- 🌐 www.emgroupsa.co.za
- 🌐 www.emindustrialsupplies.com

**We reply
within 24 hours**

(Accessories Series) Bobbin & Mercury Pen



EM INDUSTRIAL SUPPLIES

Sewing and Cutting Machine Spares Supplier



(Feed Mechanism) Automatic Ejector Set



EM INDUSTRIAL SUPPLIES

Sewing and Cutting Machine Spares Supplier

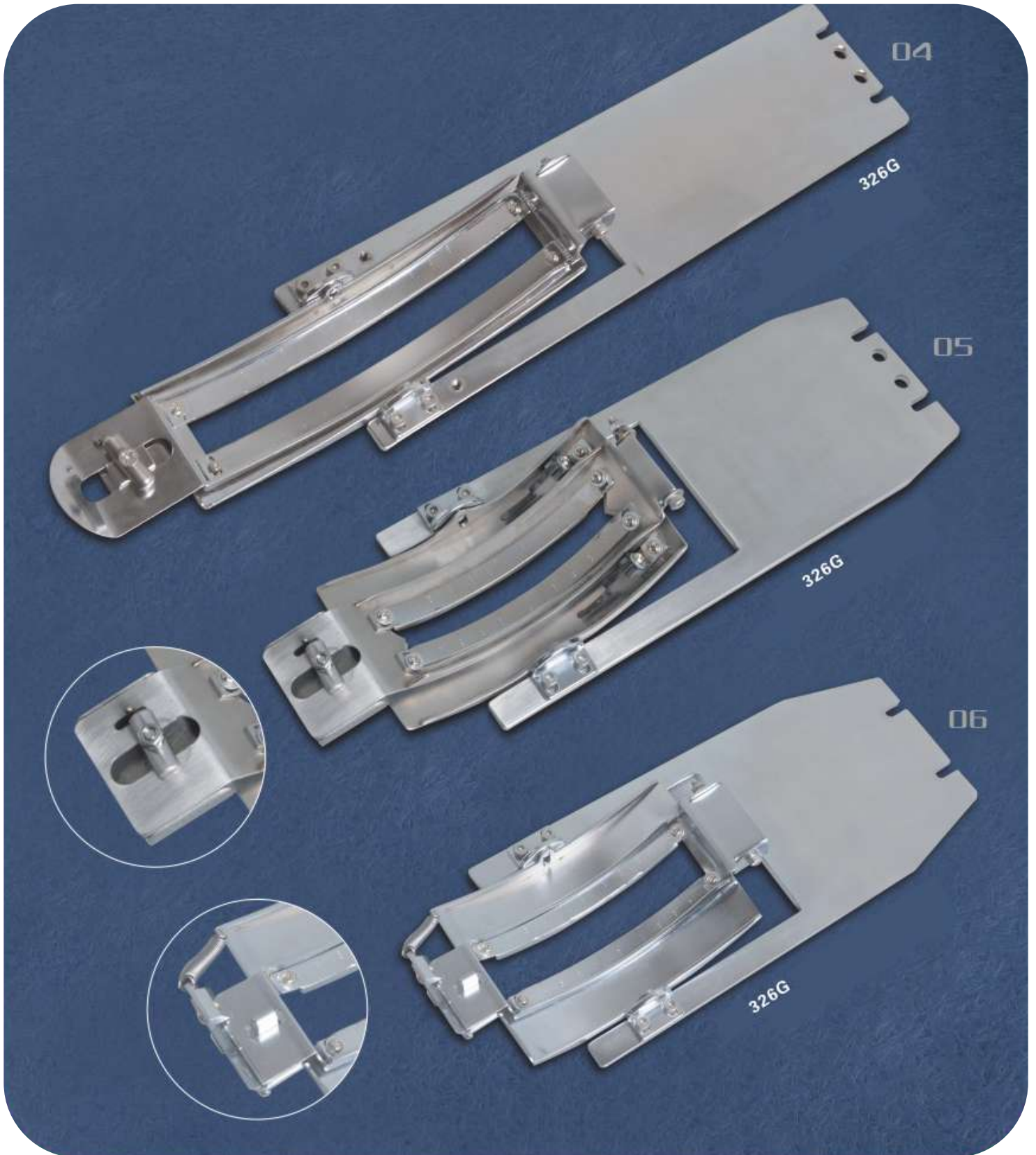


(Feed Mechanism) Automatic Ejector Set



EM INDUSTRIAL SUPPLIES

Sewing and Cutting Machine Spares Supplier

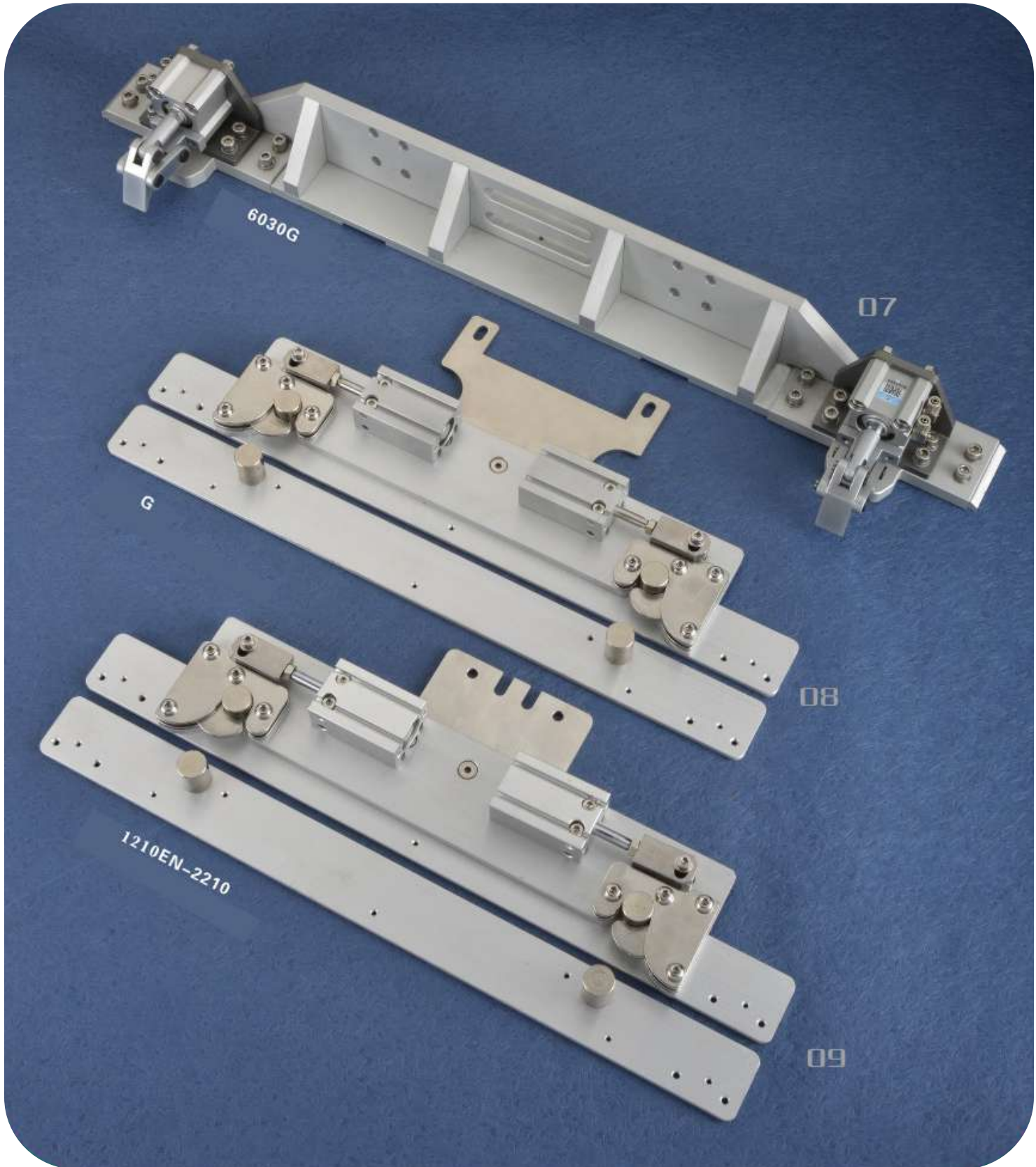


(Feed Mechanism) Automatic Ejector Set



EM INDUSTRIAL SUPPLIES

Sewing and Cutting Machine Spares Supplier

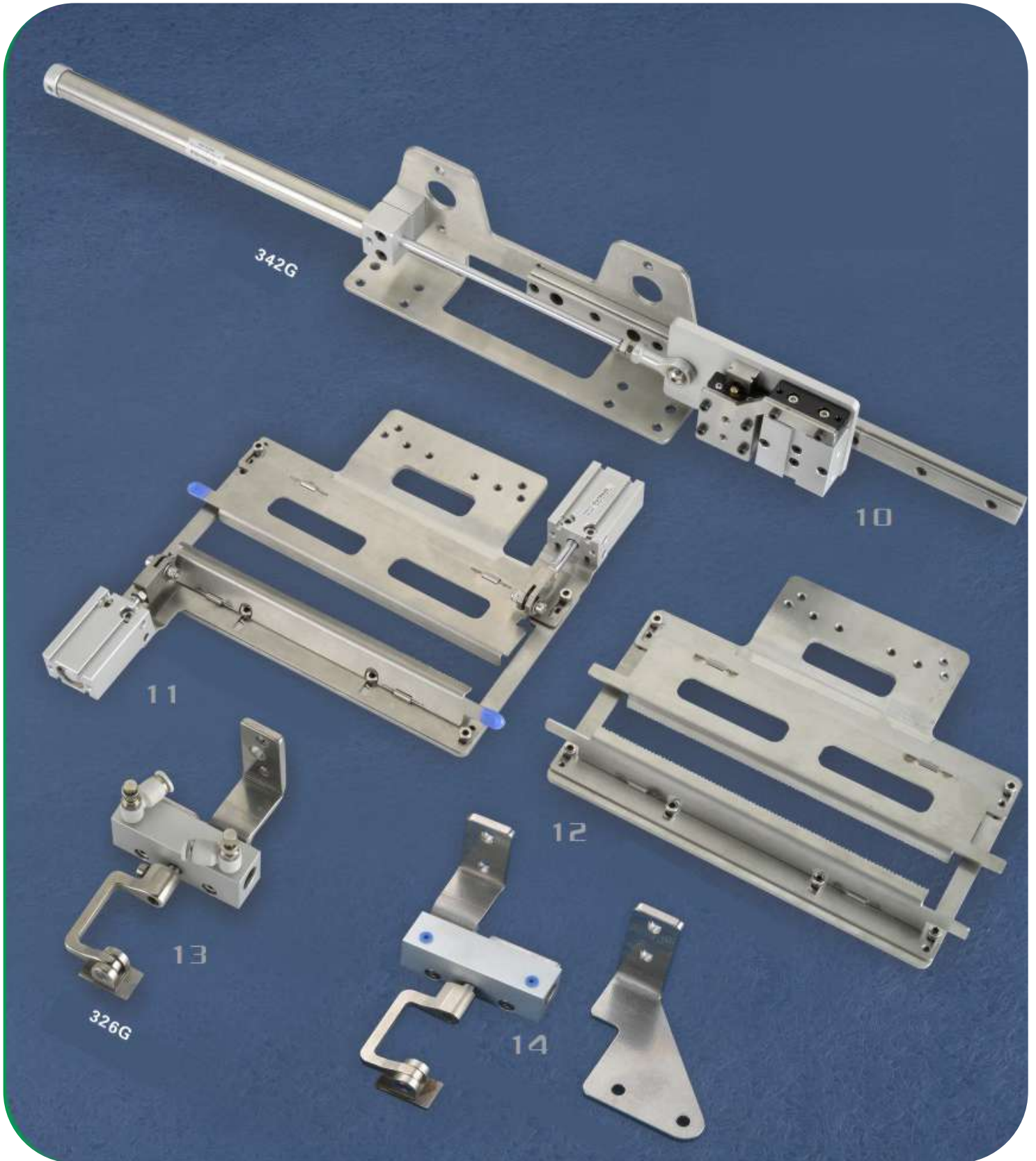


(Feed Mechanism) Automatic Ejector Set



EM INDUSTRIAL SUPPLIES

Sewing and Cutting Machine Spares Supplier

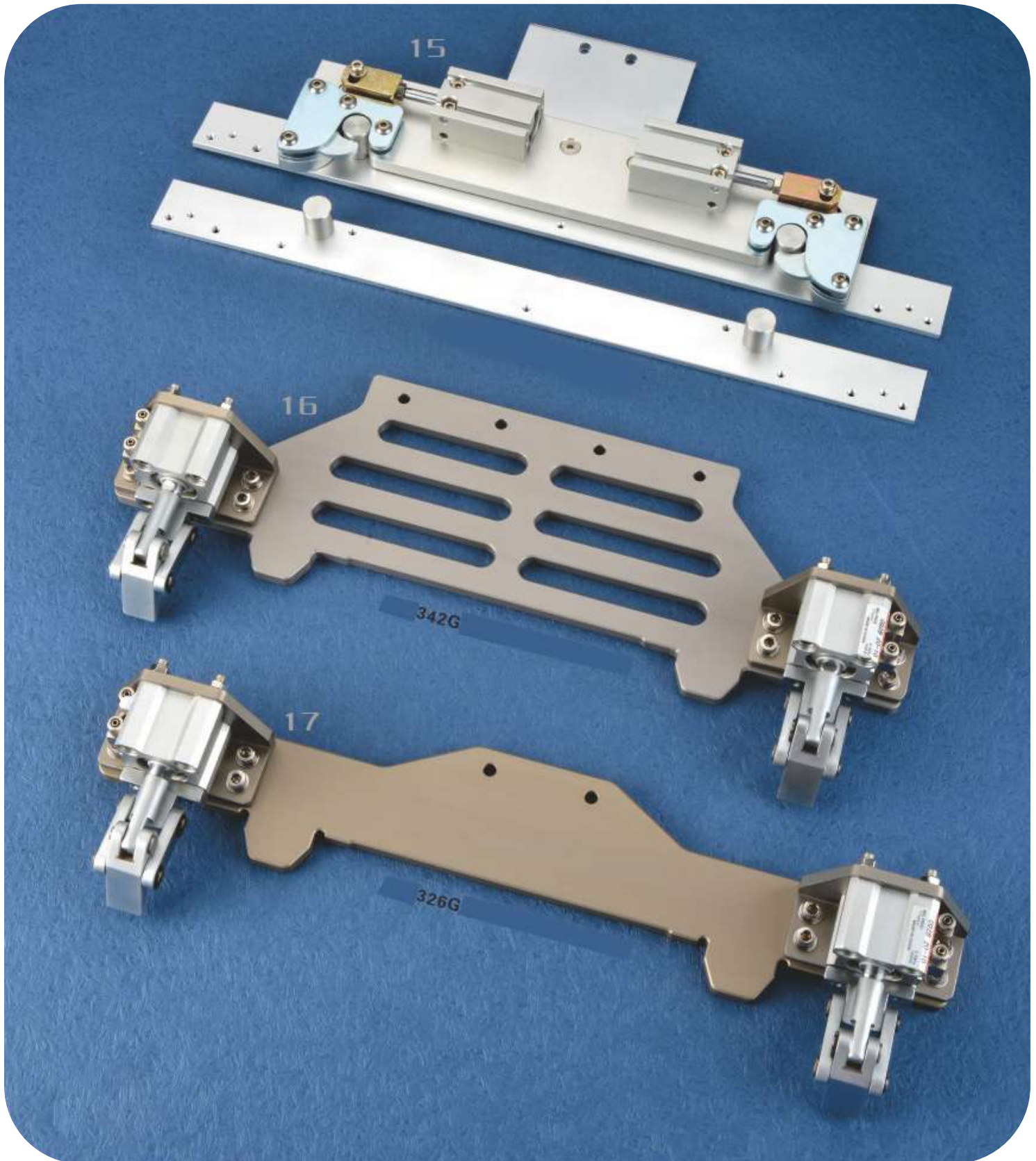


(Feed Mechanism) Automatic Ejector Set



EM INDUSTRIAL SUPPLIES

Sewing and Cutting Machine Spares Supplier

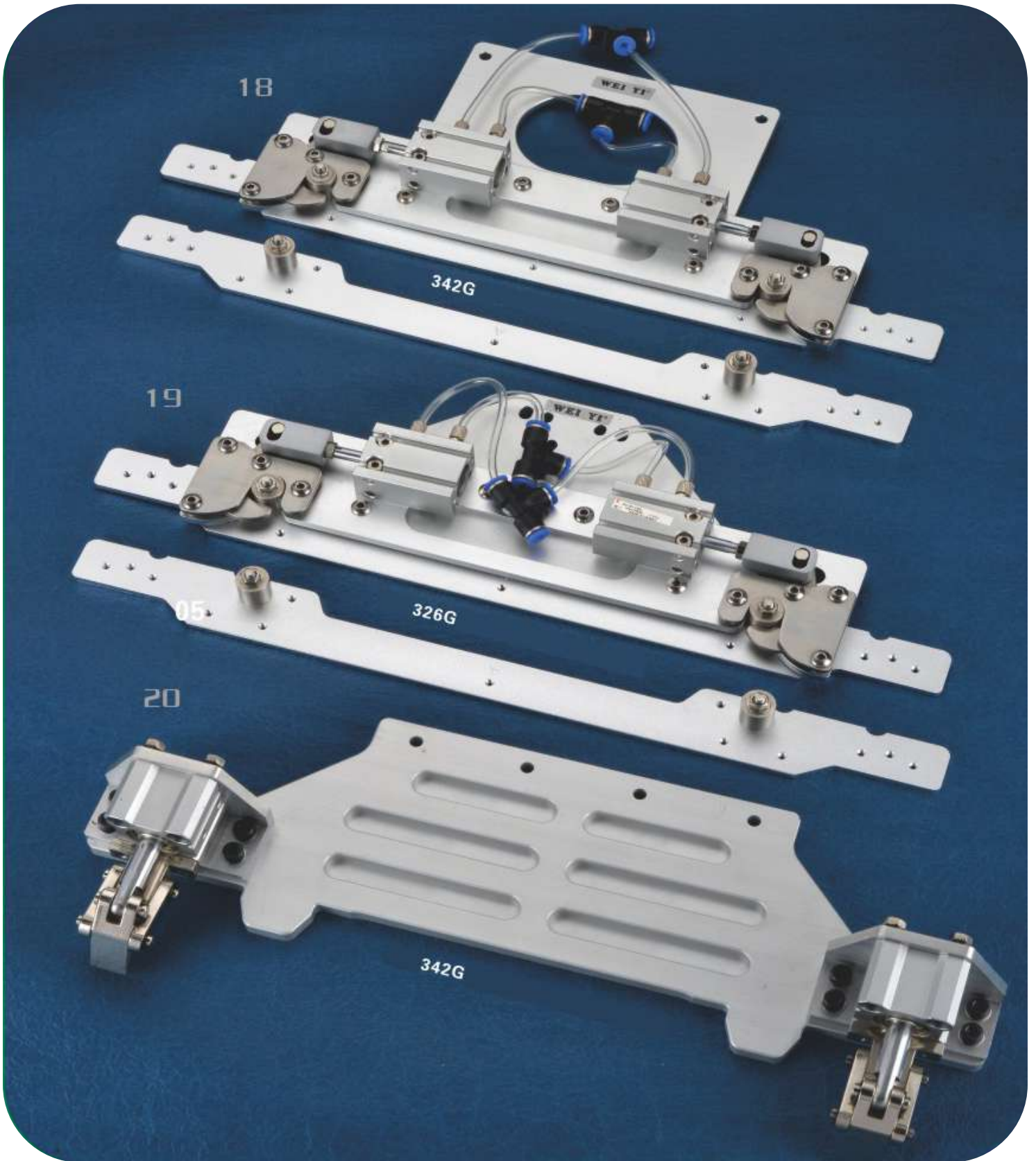


(Feed Mechanism) Automatic Ejector Set



EM INDUSTRIAL SUPPLIES

Sewing and Cutting Machine Spares Supplier

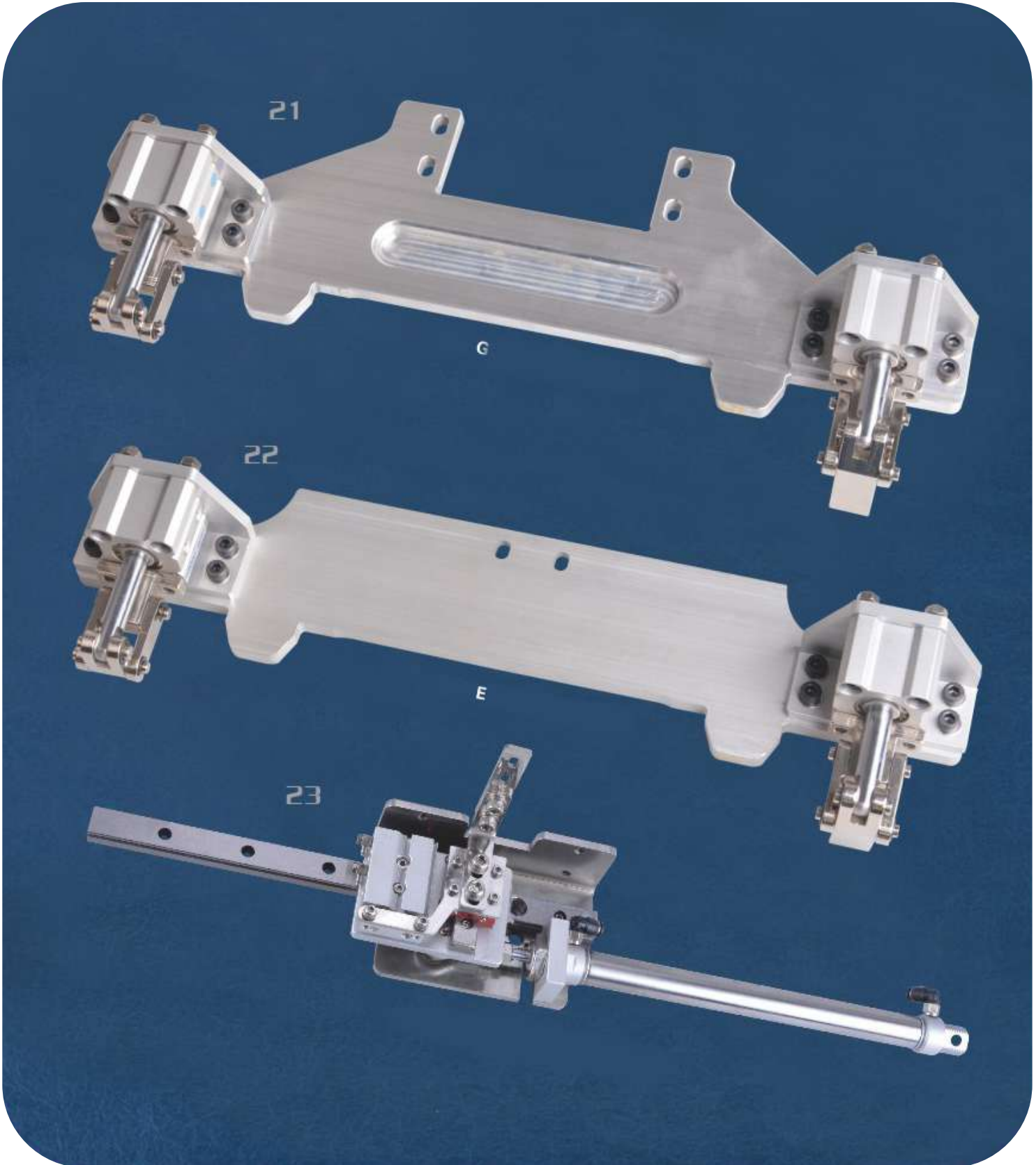


(Feed Mechanism) Automatic Ejector Set



EM INDUSTRIAL SUPPLIES

Sewing and Cutting Machine Spares Supplier

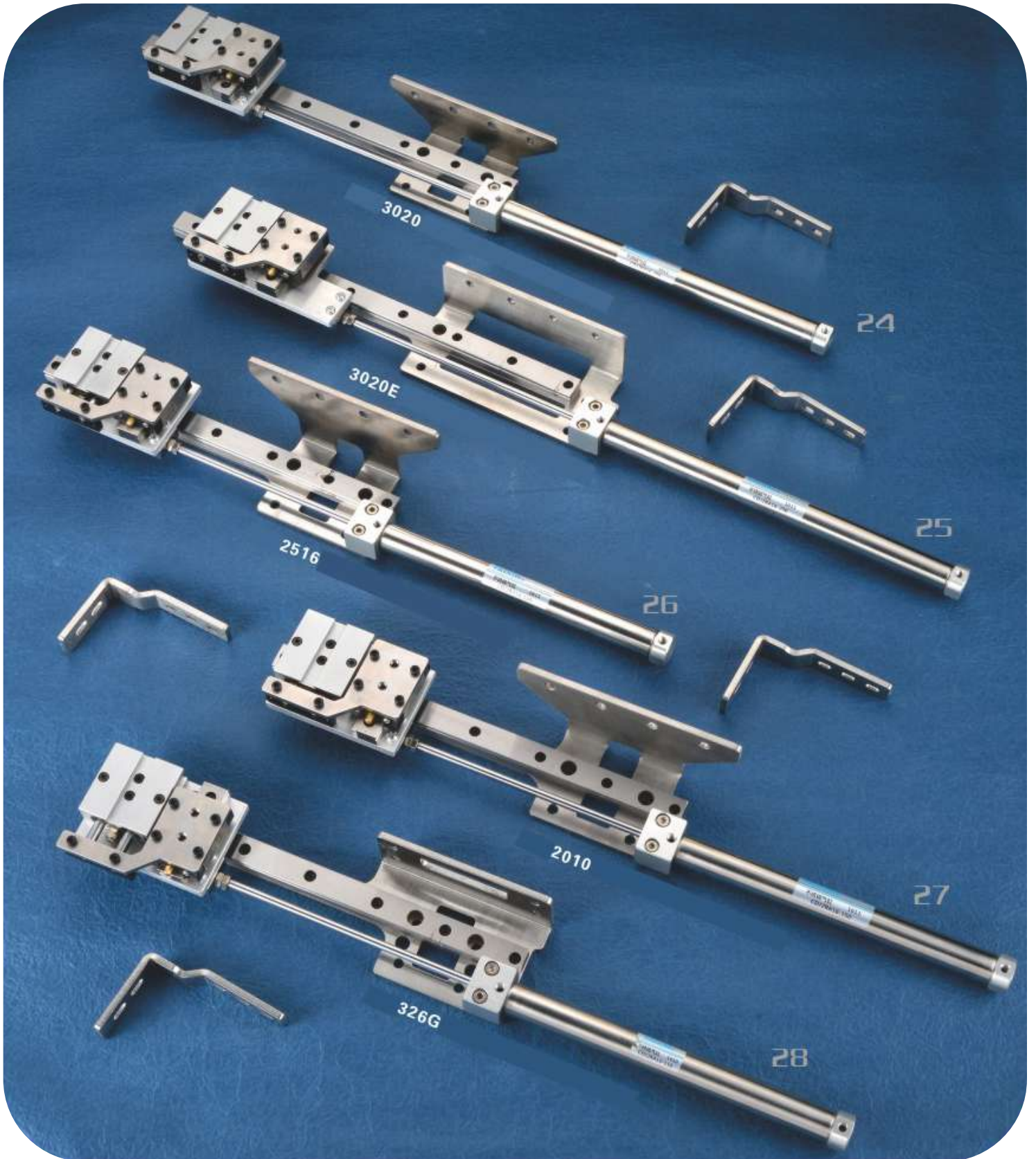


(Feed Mechanism) Automatic Ejector Set



EM INDUSTRIAL SUPPLIES

Sewing and Cutting Machine Spares Supplier

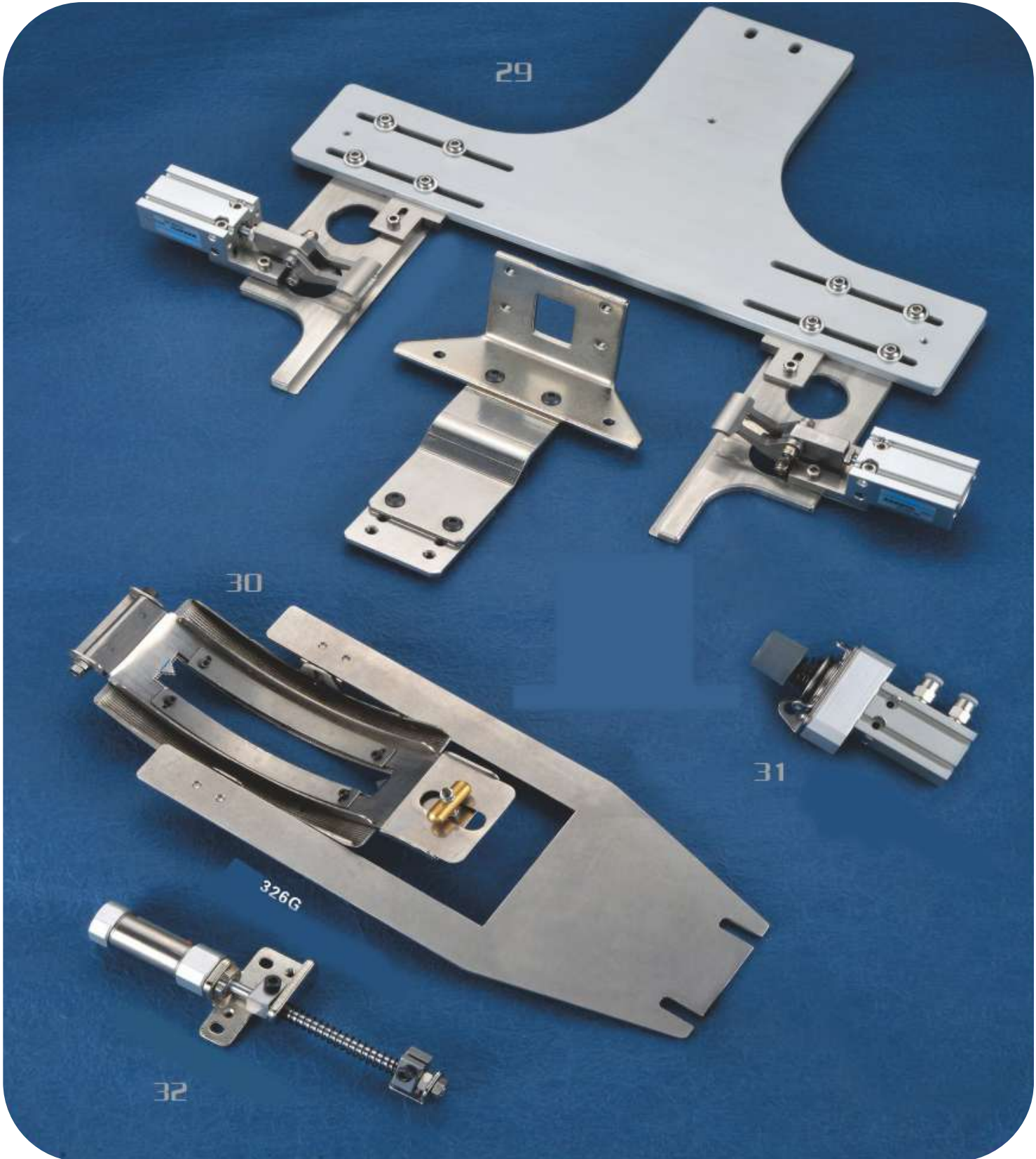


(Feed Mechanism) Automatic Ejector Set



EM INDUSTRIAL SUPPLIES

Sewing and Cutting Machine Spares Supplier

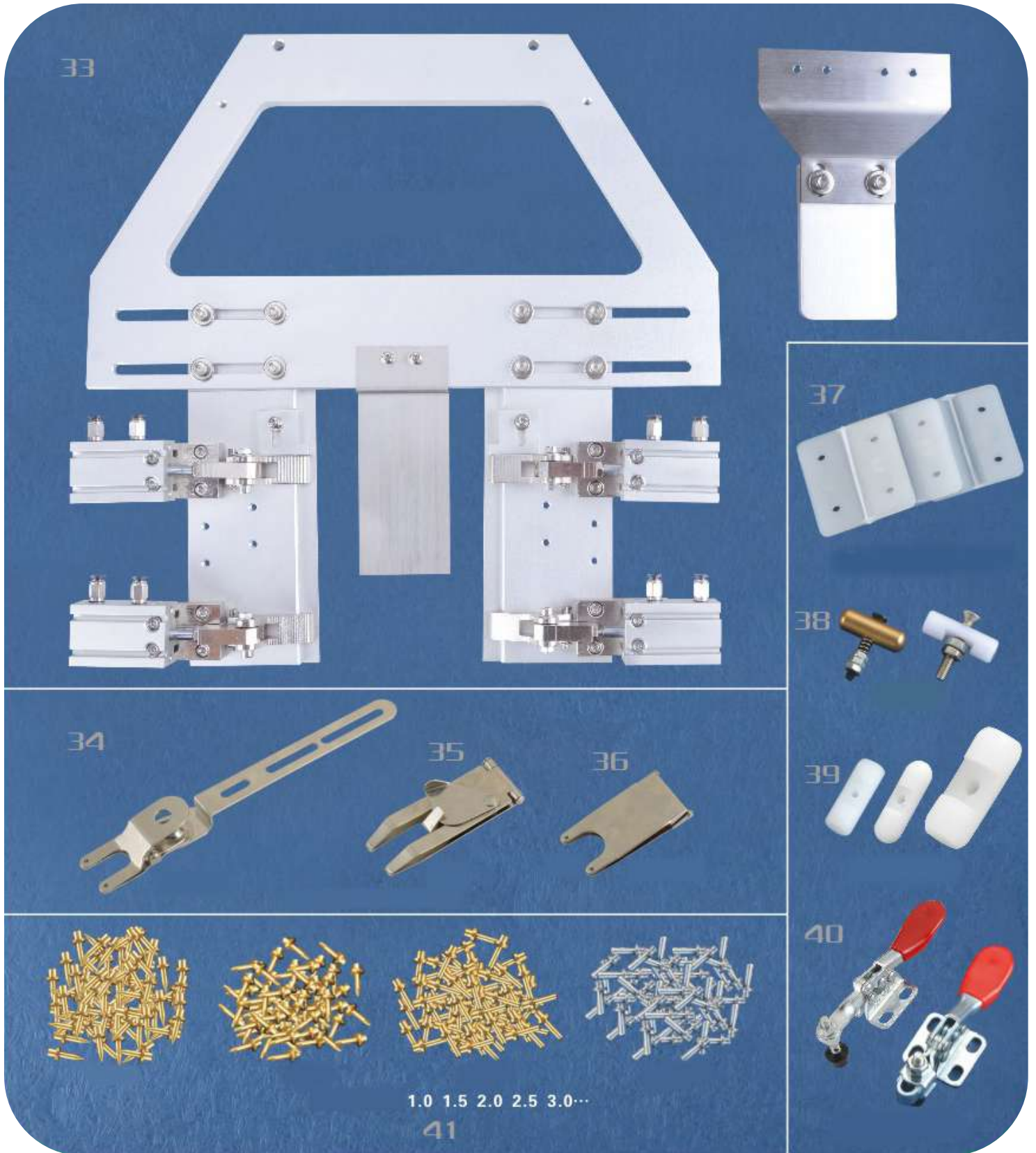


(Feed Mechanism) Automatic Ejector Set



EM INDUSTRIAL SUPPLIES

Sewing and Cutting Machine Spares Supplier



Needle Plate Assembly For Brother Sewing Machine



EM INDUSTRIAL SUPPLIES

Sewing and Cutting Machine Spares Supplier



Needle Plate Assembly For Juki Sewing Machine



EM INDUSTRIAL SUPPLIES

Sewing and Cutting Machine Spares Supplier



Needle Plate Assembly For Mitsubishi Sewing Machines



EM INDUSTRIAL SUPPLIES

Sewing and Cutting Machine Spares Supplier

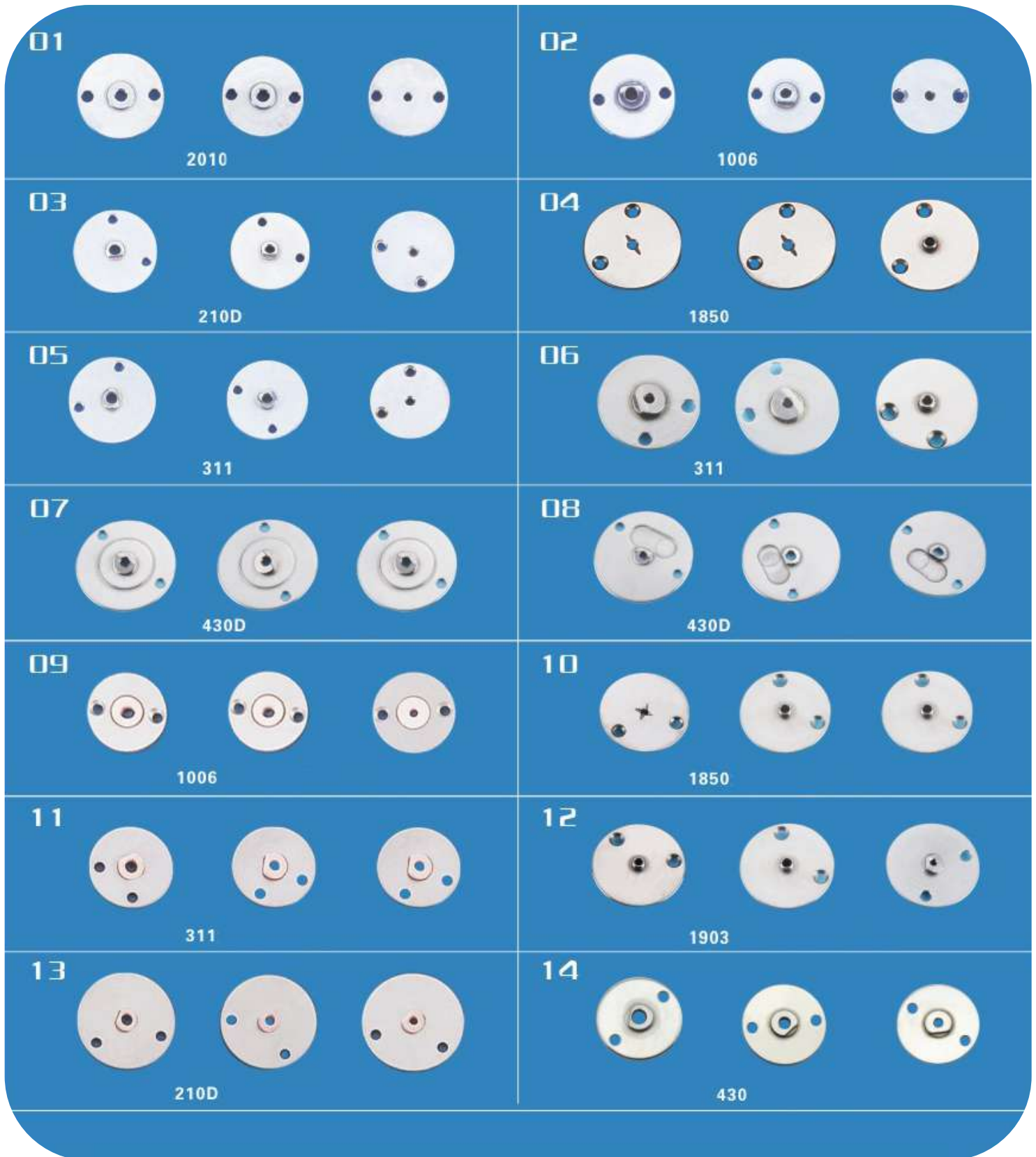


Needle Hole Plate For Industrial Sewing Machines



EM INDUSTRIAL SUPPLIES

Sewing and Cutting Machine Spares Supplier

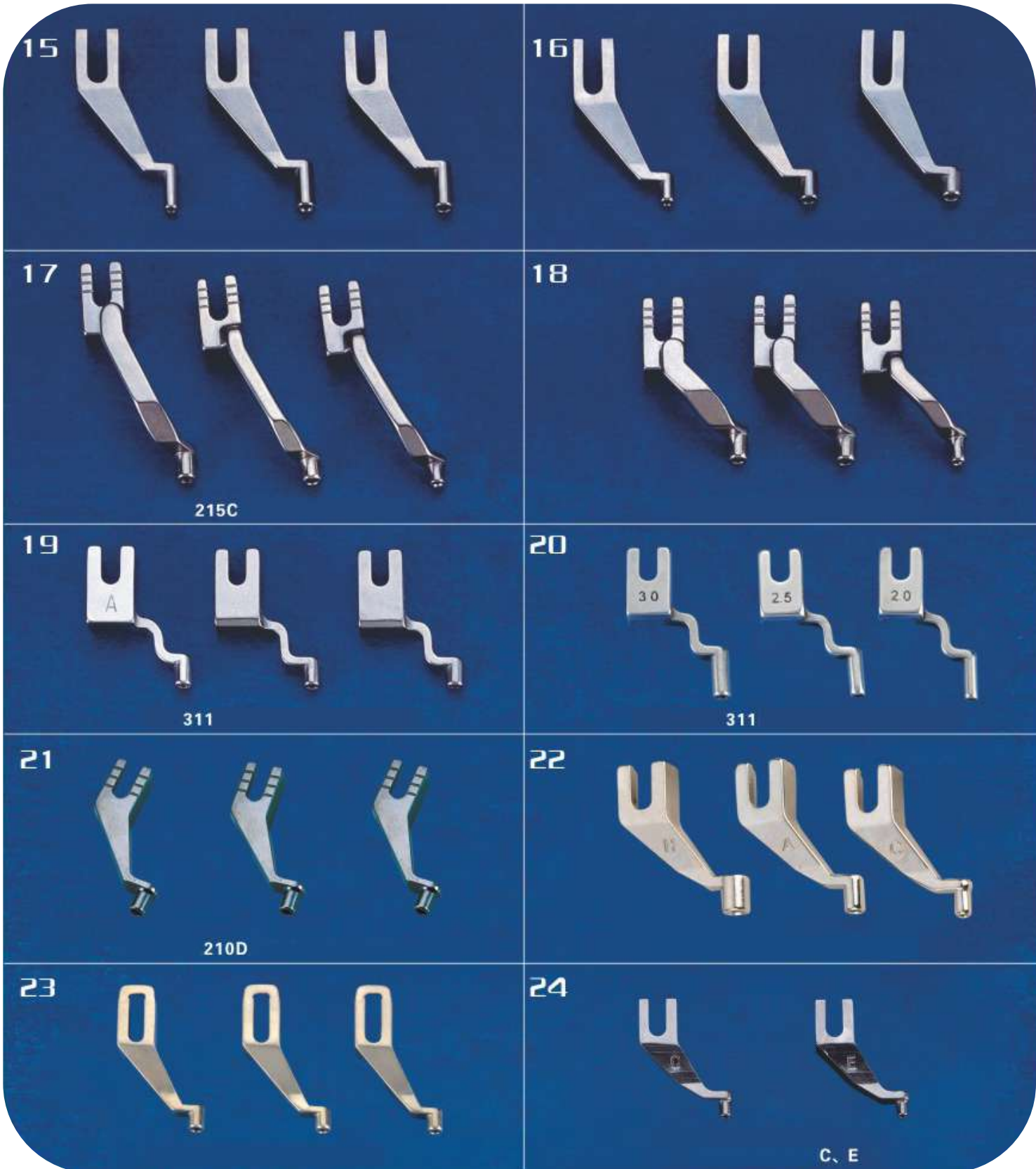


Presser Foot Series For Industrial Sewing Machines



EM INDUSTRIAL SUPPLIES

Sewing and Cutting Machine Spares Supplier

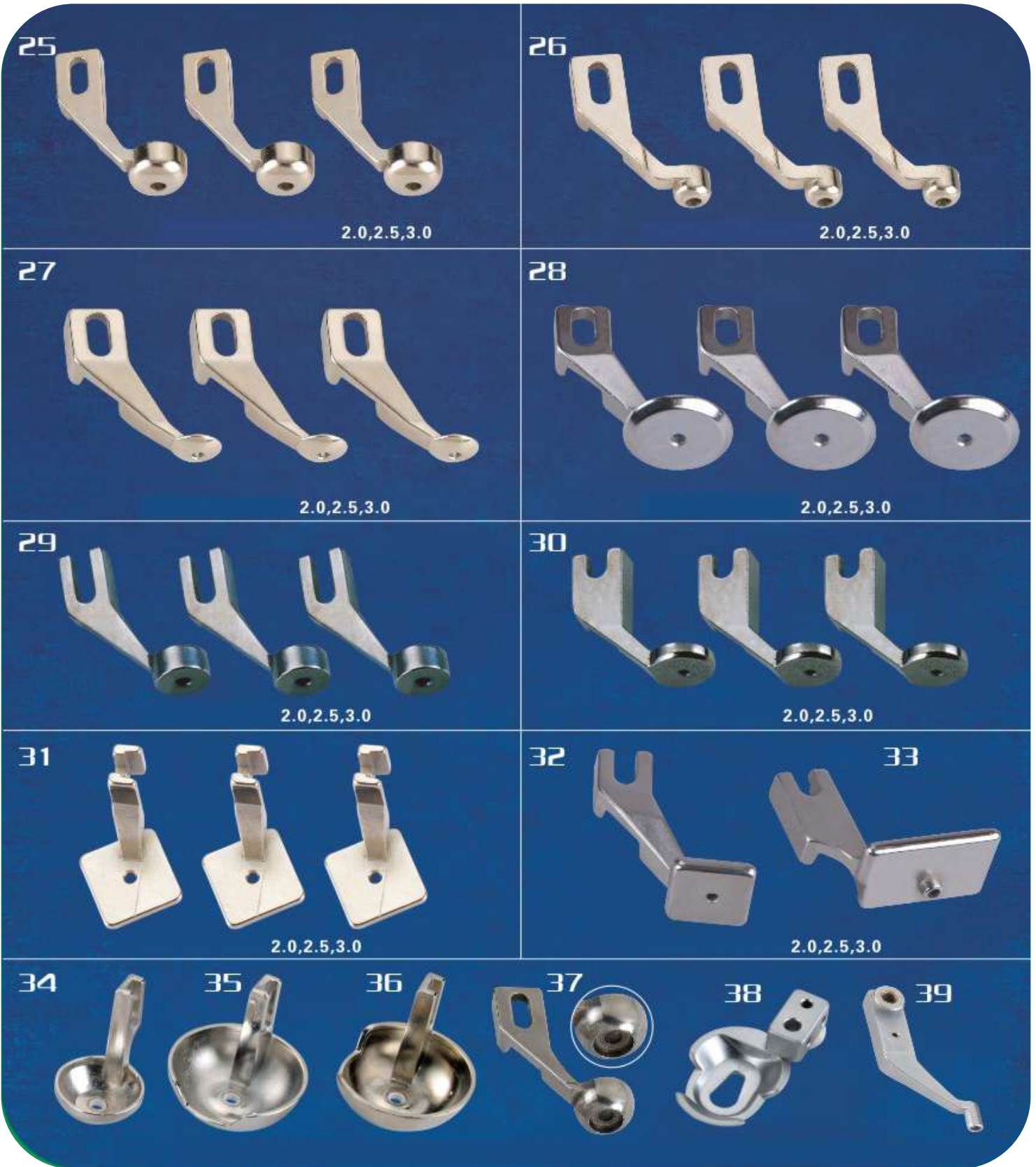


Presser Foot Series For Industrial Sewing Machines



EM INDUSTRIAL SUPPLIES

Sewing and Cutting Machine Spares Supplier



Shuttle Race Assembly For Industrial Sewing Machines



EM INDUSTRIAL SUPPLIES

Sewing and Cutting Machine Spares Supplier

<p>YHY01 181A</p> <p>MA10A0120</p>	<p>YHSO1 181A</p> <p>AD190D411P02</p>	<p>YHN01 181A</p> <p>MS10A0120</p>	<p>YHD01 181A</p> <p>MS01A0616</p>
--	---	--	--

For MITSUBISHIPLK-A1006, 2520, 0804, 1010

<p>YHY02 210D</p> <p>B1818-205-00B</p>	<p>YHSO2 210D</p> <p>B1818-210-DAA</p>	<p>YHN02 210D</p> <p>B1812-210-D00</p>	<p>YHD02 210D</p> <p>B1817-210-DAB</p>
--	--	--	--

For JUKI AMS-210D

<p>YHY03 212C</p> <p>B1818-205-000</p>	<p>YHSO3 212C</p> <p>B1828-205-0A0</p>	<p>YHN03 212C</p> <p>B1812-205-000</p>	<p>YHD03 212C</p> <p>B1817-205-0AB</p>
--	--	--	--

For JUKI AMS-212C

<p>YHY04 311A</p> <p>15662001</p>	<p>YHSO4 311A</p> <p>S15902001</p>	<p>YHN04 311A</p> <p>152681201</p>	<p>YHD04 311A</p> <p>152686001</p>
---	--	--	--

For BROTHER BAS-311A

Shuttle Race Assembly For Industrial Sewing Machines



EM INDUSTRIAL SUPPLIES

Sewing and Cutting Machine Spares Supplier

<p>YHY05 1850</p> <p>B1818-280-000</p>	<p>YHS05 1850</p> <p>B1828-980-0BB</p>	<p>YHN05 1850</p> <p>B1812-980-0A0</p>	<p>YHD05 1850</p> <p>B1817-205-DAB</p>
--	--	--	--

For JUKI LK-1850

<p>YHY06 434B</p> <p>152685001</p>	<p>YHS06 434B</p> <p>1526888101</p>	<p>YHN06 434B</p> <p>152681101</p>	<p>YHD06 434B</p> <p>152682001</p>
--	---	--	--

For BROTHER LK3-B430-1, 4, 5

<p>YHY07 1306A</p> <p>07S028P-306H</p>	<p>YHS07 1306A</p> <p>07S038P-306H</p>	<p>YHN07 1306A</p> <p>07S029P-306H</p>	<p>YHD07 1306A</p> <p>07S038P-306H</p>
--	--	--	--

For SUNSTAR 1306A

<p>YHY08 1306B</p> <p>07S028P-306H</p>	<p>YHS08 1306B</p> <p>07S038P-306H</p>	<p>YHN08 1306B</p> <p>07S029P-306H</p>	<p>YHD08 1306B</p> <p>07S038P-306H</p>
--	--	--	--

For SUNSTAR 1306B

Shuttle Race Assembly For Industrial Sewing Machines



EM INDUSTRIAL SUPPLIES

Sewing and Cutting Machine Spares Supplier

<p>YHY09 210E</p>  <p>40014964</p>	<p>YHS09 210E</p>  <p>131828210DAA</p>	<p>YHN09 210E</p>  <p>40014963</p>	<p>YHD09 210E</p>  <p>14103352</p>
---	---	--	---

For JUKI AMS-210E

<p>YHY10 342G</p>  <p>SA2173301</p>	<p>YHS10 342G</p>  <p>S59221201</p>	<p>YHN10 342G</p>  <p>SA3284101</p>	<p>YHD10 342G</p>  <p>152686201</p>
--	--	--	--

For BROTHER BAS-342G

<p>YHY11 311G</p>  <p>SA2173201</p>	<p>YHS11 311G</p>  <p>S59221201</p>	<p>YHN11 311G</p>  <p>SA3284101</p>	<p>YHD11 311G</p>  <p>152686201</p>
--	--	---	--

For BROTHER BAS-311G

<p>YHY12-AO 340</p> 	<p>YHY12-BO 340</p> 	<p>YHN12 340</p> 	<p>YHD12 340</p> 
--	--	--	---

For BROTHER 340

Shuttle Race Assembly For Industrial Sewing Machines



EM INDUSTRIAL SUPPLIES

Sewing and Cutting Machine Spares Supplier

YHD01-210D



JUKI-AMS-1900

B1814-210-000

YHD02-LK-1850-980



JUKI
1850, 980, 1900

B1814-980-000

YHD03-434B



LK3-B434

YHD04-311A



BROTHER
BAS-304, 310, 320
325, 311, 311A
340, 341

S10373001

YHD05-212C



JUKI-AMS-212C
210D

B1814-980-000

YHD06-A1006



MITSUBISHI
PLK-0604, 0804
2520, 1006, A1006

MS01A0121

YHD07-311EL



BROTHER 9.6孔
311EL, 430EL
E.S02427-201
L.S40837001

YHY13



210EN

Shuttle Race Assembly For Industrial Sewing Machines



EM INDUSTRIAL SUPPLIES

Sewing and Cutting Machine Spares Supplier

YHD09-1900



JUKI-AMS-210D
212C, 1900
14-03006

YHD10-311G



BROTHER
311G
S55650201

YHD11-311F



BROTHER 8.0
311F, 430E
S55217201

YHD14



341

YHD12-1900A



JUKI-AMS-1900A
210D

YHD15



311F

YHD13-430D



BROTHER 12
430D, 311D
SA6128001

HD08- 716, 737



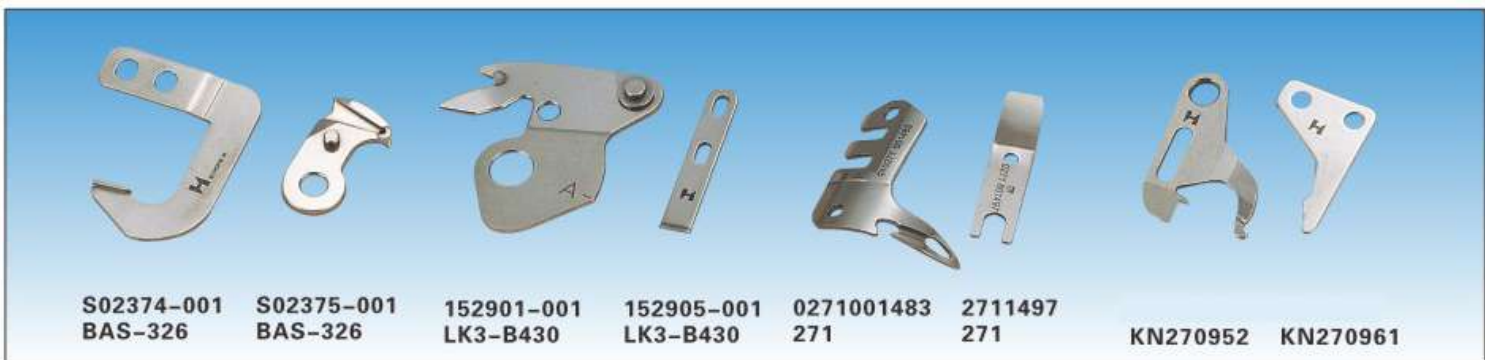
154582-001

Knives For Industrial Sewing Machines



EM INDUSTRIAL SUPPLIES

Sewing and Cutting Machine Spares Supplier

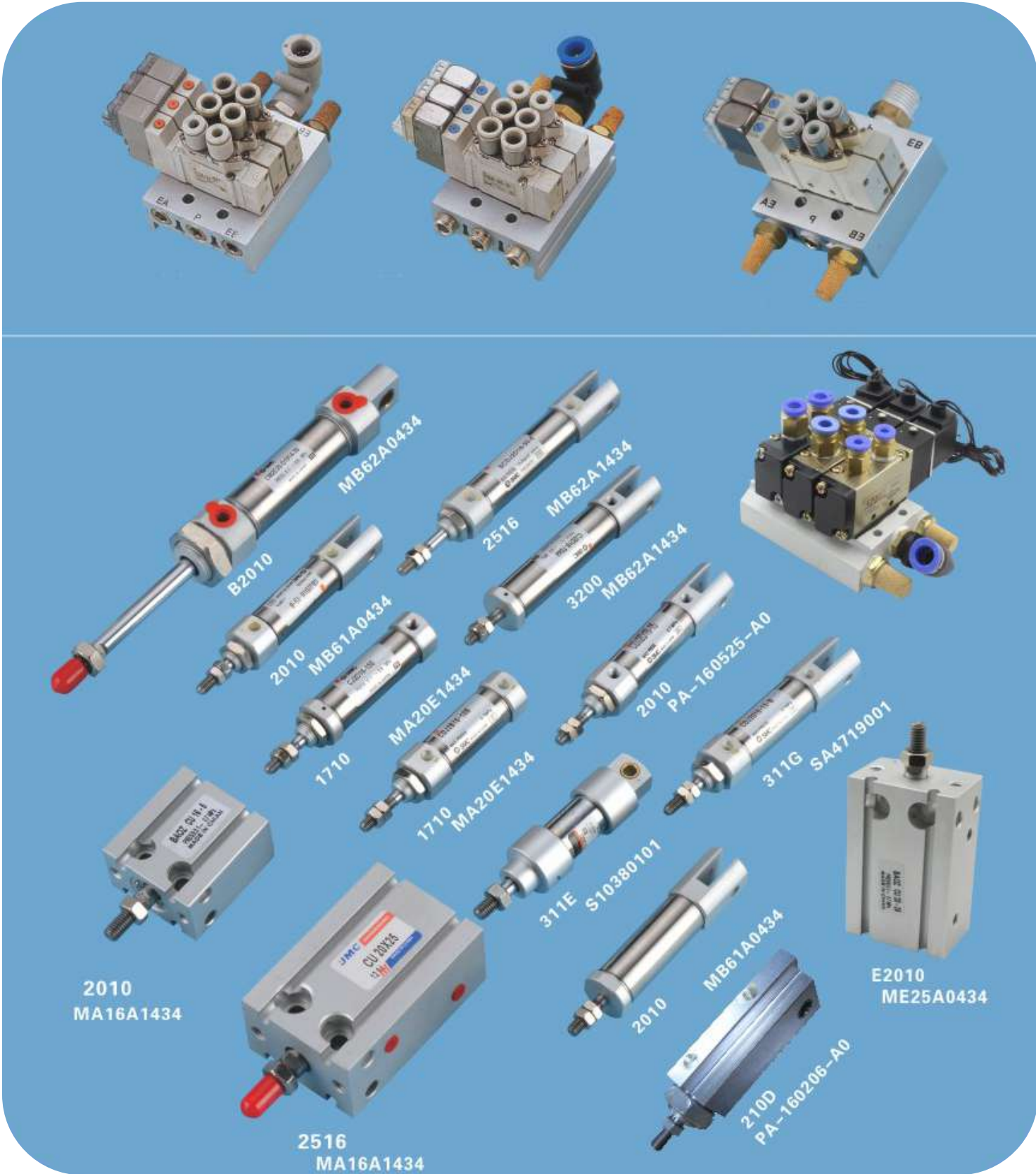


Air Cylinder & Solenoid Valve Series



EM INDUSTRIAL SUPPLIES

Sewing and Cutting Machine Spares Supplier

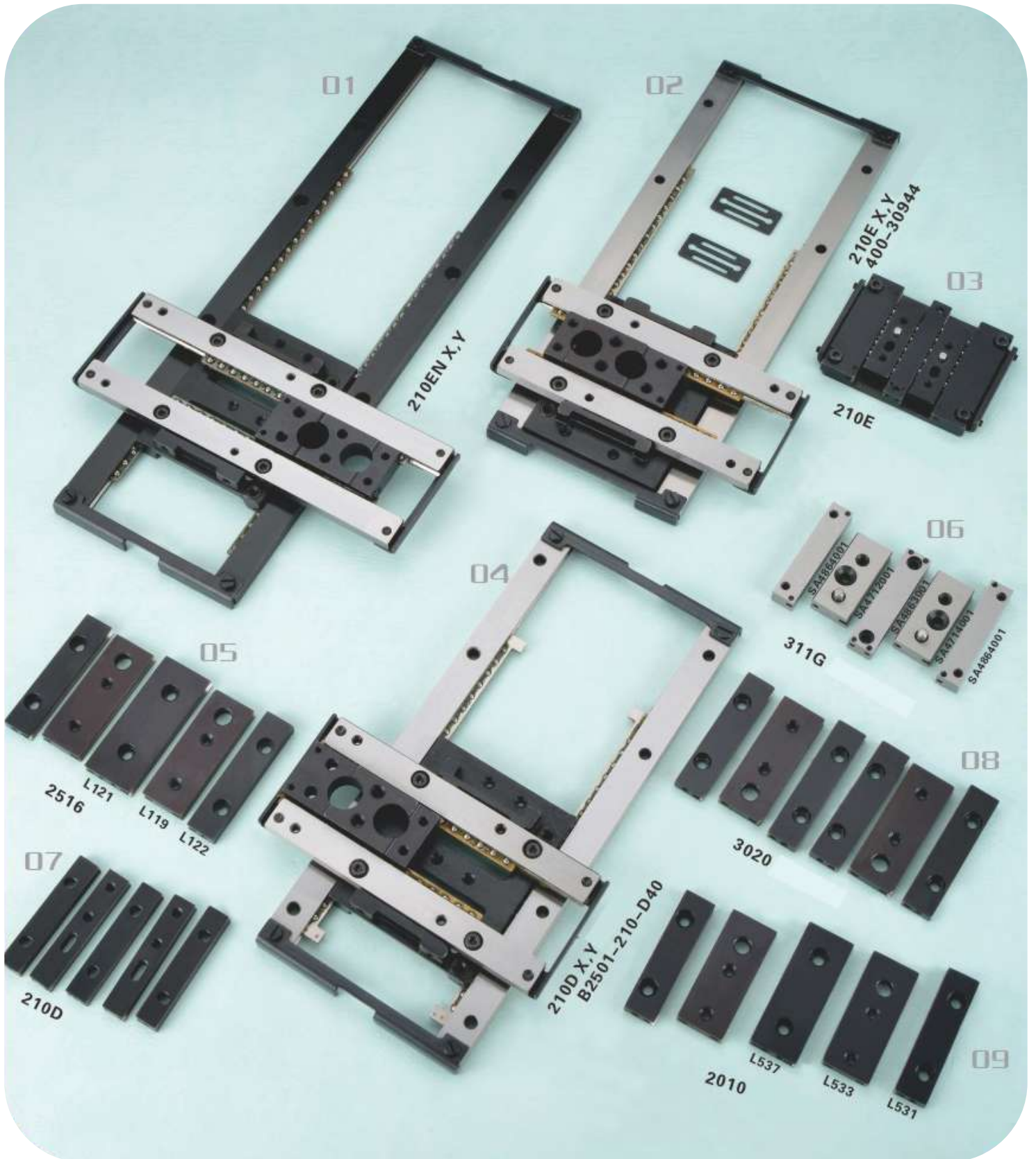


Slide Guide Series



EM INDUSTRIAL SUPPLIES

Sewing and Cutting Machine Spares Supplier

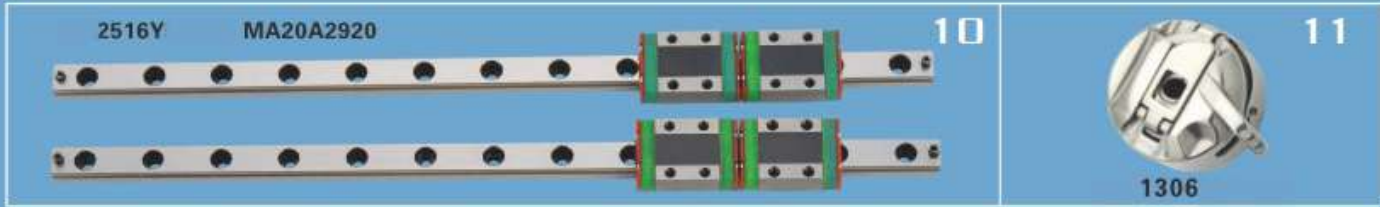


Slide Guide Series



EM INDUSTRIAL SUPPLIES

Sewing and Cutting Machine Spares Supplier

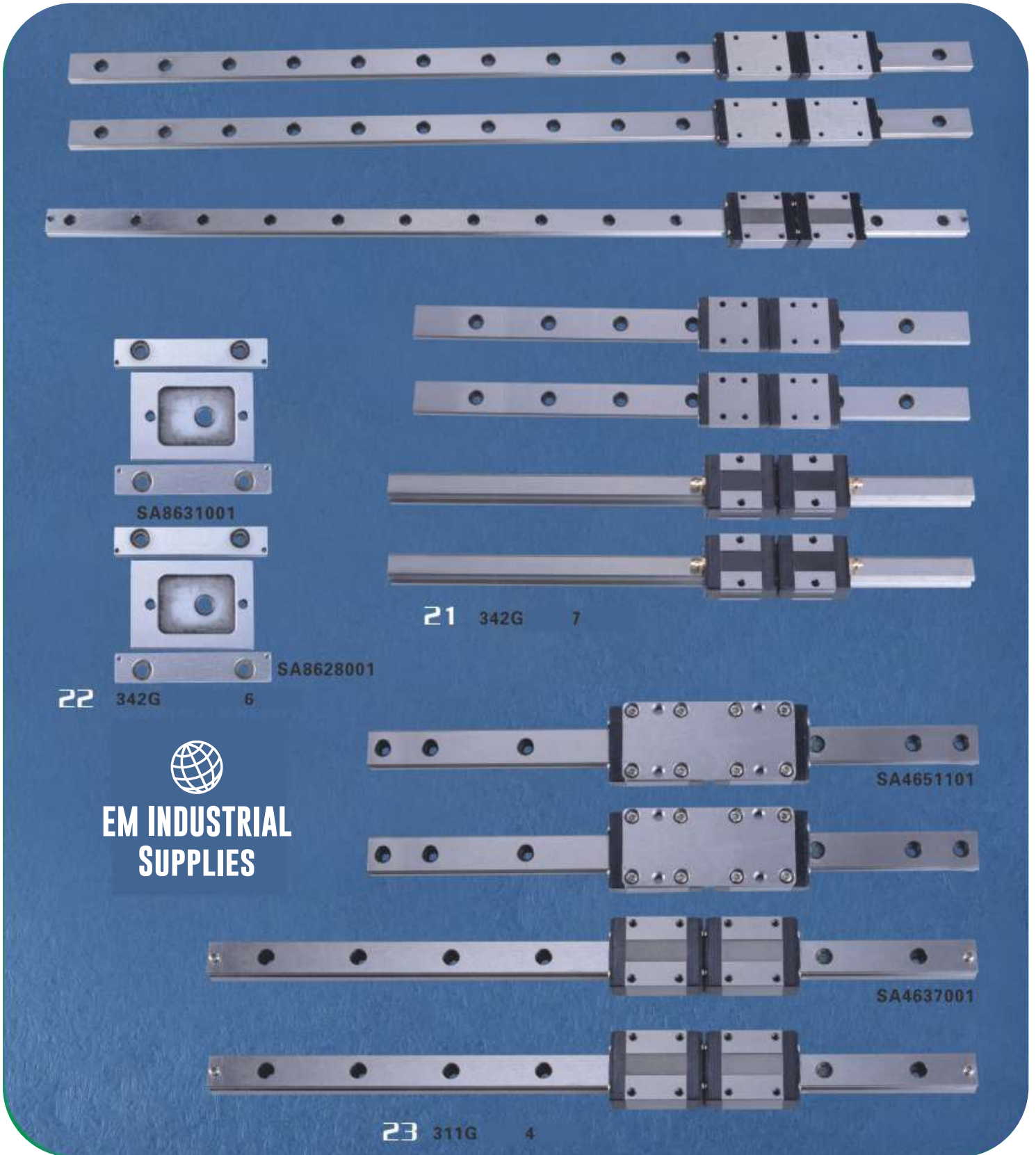


Slide Guide Series



EM INDUSTRIAL SUPPLIES

Sewing and Cutting Machine Spares Supplier



EM INDUSTRIAL SUPPLIES

Solenoid Series



EM INDUSTRIAL SUPPLIES

Sewing and Cutting Machine Spares Supplier

01



02



03



04



05



06



07



08



0303D

09



10



11



12



13



991T

7200

5150

14



15



16



17



AC8110-0A

AC8120-0A

AC2290-0A

AC8100-0A

8813

Solenoid Series



EM INDUSTRIAL SUPPLIES

Sewing and Cutting Machine Spares Supplier



Control Box Components Series



EM INDUSTRIAL SUPPLIES

Sewing and Cutting Machine Spares Supplier

01



740

02

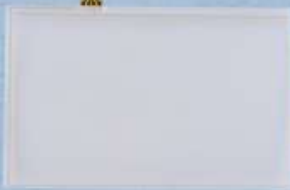


210D

03



04



740

06



E

M95003096

08



E PMD

07



D

05



10



11



09



E



D

12



X

Y

13



E

14

Control Box Components Series



EM INDUSTRIAL SUPPLIES

Sewing and Cutting Machine Spares Supplier



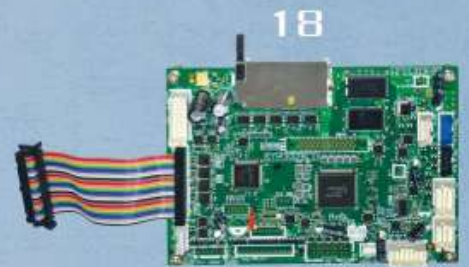
15
430D
SA3829001



16
311G
SA4834001



17
311F
SA3249101



18
430D
SA3724101



19
342G
SA8383001



20



21
342G
SA8376001



22
342G PMD
SA8378101



23
D
M8605-580-0A0



24
D
M8610-580-0A0



25
D
M8604-580-0A0

Main Motor & Feed Stepping Motor Series



EM INDUSTRIAL SUPPLIES

Sewing and Cutting Machine Spares Supplier



Pedal Foot Switch & Operation Panel Stand



EM INDUSTRIAL SUPPLIES

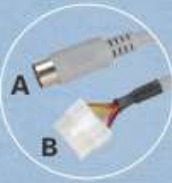
Sewing and Cutting Machine Spares Supplier



01



M860A0FSW



02



03



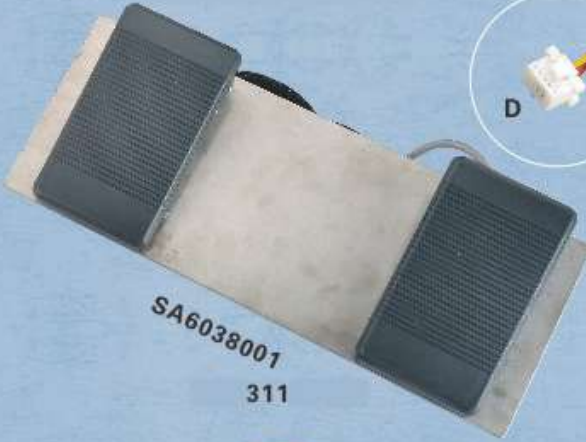
M860A0FSW



04



05



06



07



08



09



10



Computer Sewing Machine Parts



EM INDUSTRIAL SUPPLIES

Sewing and Cutting Machine Spares Supplier



Computer Sewing Machine Parts



EM INDUSTRIAL SUPPLIES

Sewing and Cutting Machine Spares Supplier

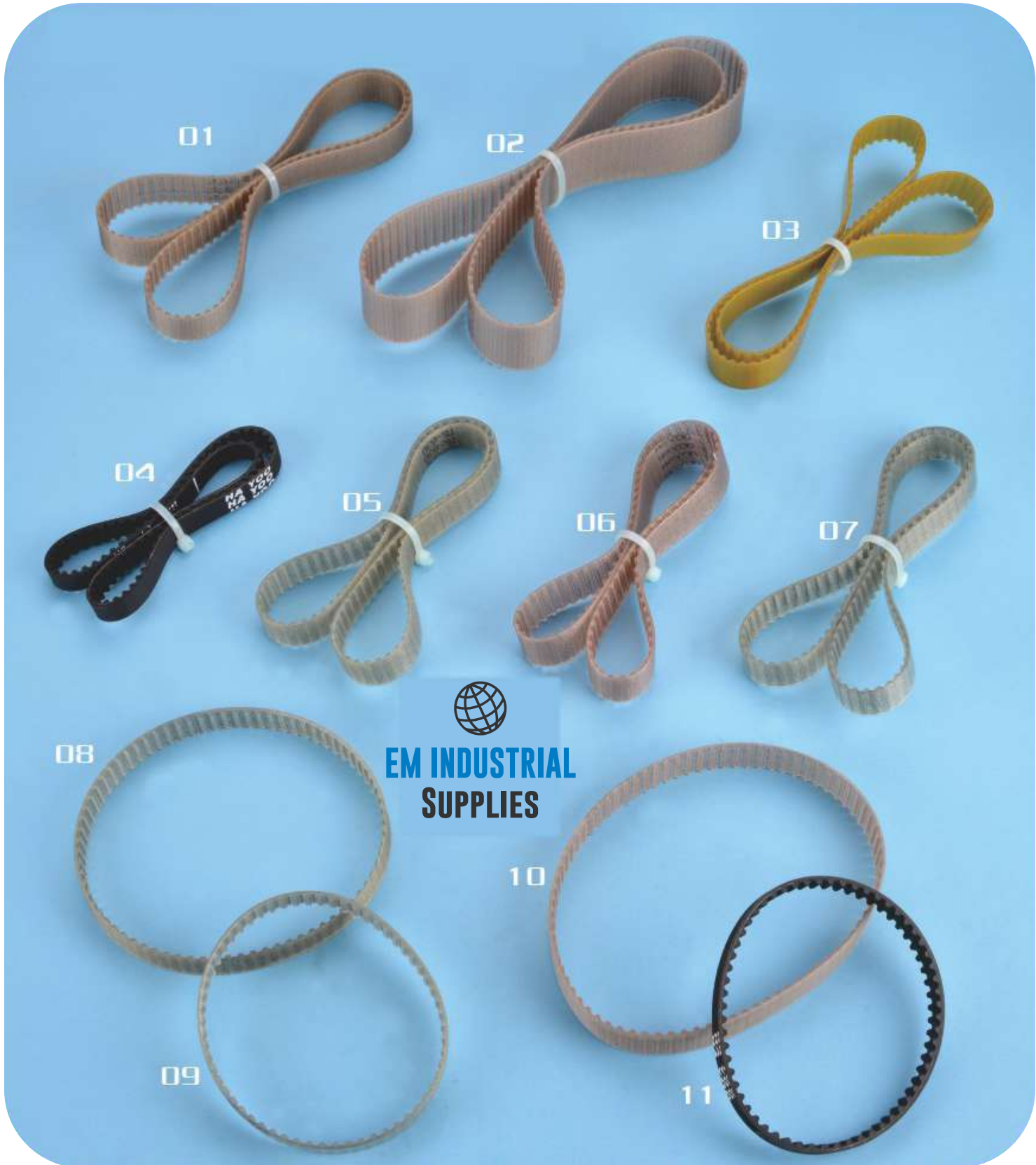


Trimming Belt For Industrial Sewing Machines



EM INDUSTRIAL SUPPLIES

Sewing and Cutting Machine Spares Supplier



Trimming Belt Wheel For Industrial Sewing Machines



EM INDUSTRIAL SUPPLIES

Sewing and Cutting Machine Spares Supplier



Gear For Brother 430D & Juki 1900A



EM INDUSTRIAL SUPPLIES

Sewing and Cutting Machine Spares Supplier



Gear For Brother 342G & 311G



EM INDUSTRIAL SUPPLIES

Sewing and Cutting Machine Spares Supplier



Computer Sewing Machine Parts



EM INDUSTRIAL SUPPLIES

Sewing and Cutting Machine Spares Supplier

01



MB61A0797
E2516R

02



YB61A0470
E2010R

03



2010

04



2516

05



B1112-210-D00
210D

06



M91013004

07



M95637021

08



MW55A0975

09



1006

11



Y97321099

12



Y97320099

13



Y97318099

14



Y97319099

15



Sa4837101

Computer Sewing Machine Parts



EM INDUSTRIAL SUPPLIES

Sewing and Cutting Machine Spares Supplier

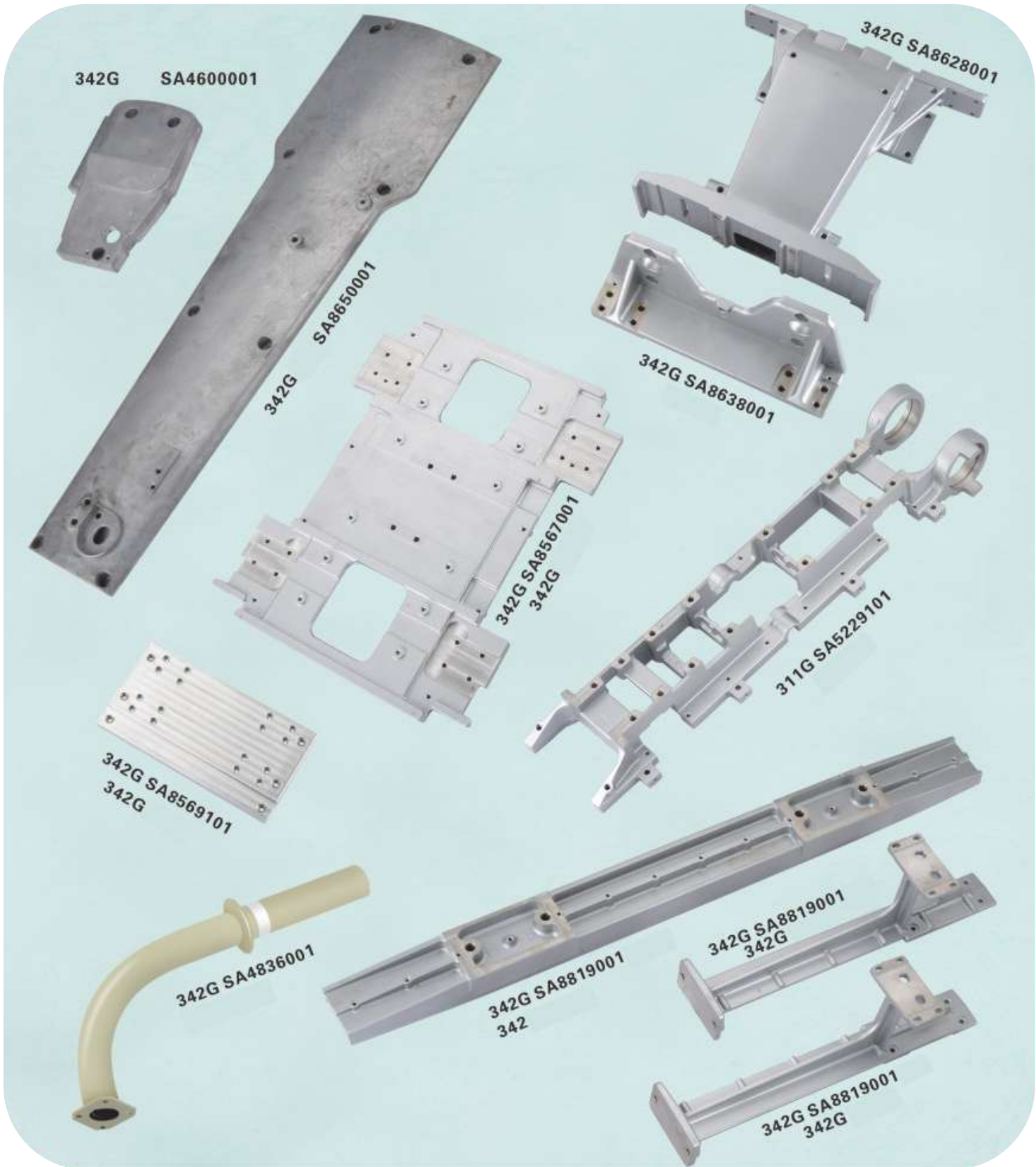


Computer Sewing Machine Parts



EM INDUSTRIAL SUPPLIES

Sewing and Cutting Machine Spares Supplier



Computer Sewing Machine Parts



EM INDUSTRIAL SUPPLIES

Sewing and Cutting Machine Spares Supplier



For Supreme & Brother 342G/311G/326G



EM INDUSTRIAL SUPPLIES

Sewing and Cutting Machine Spares Supplier



For Supreme & Brother 342G/311G/326G



EM INDUSTRIAL SUPPLIES

Sewing and Cutting Machine Spares Supplier

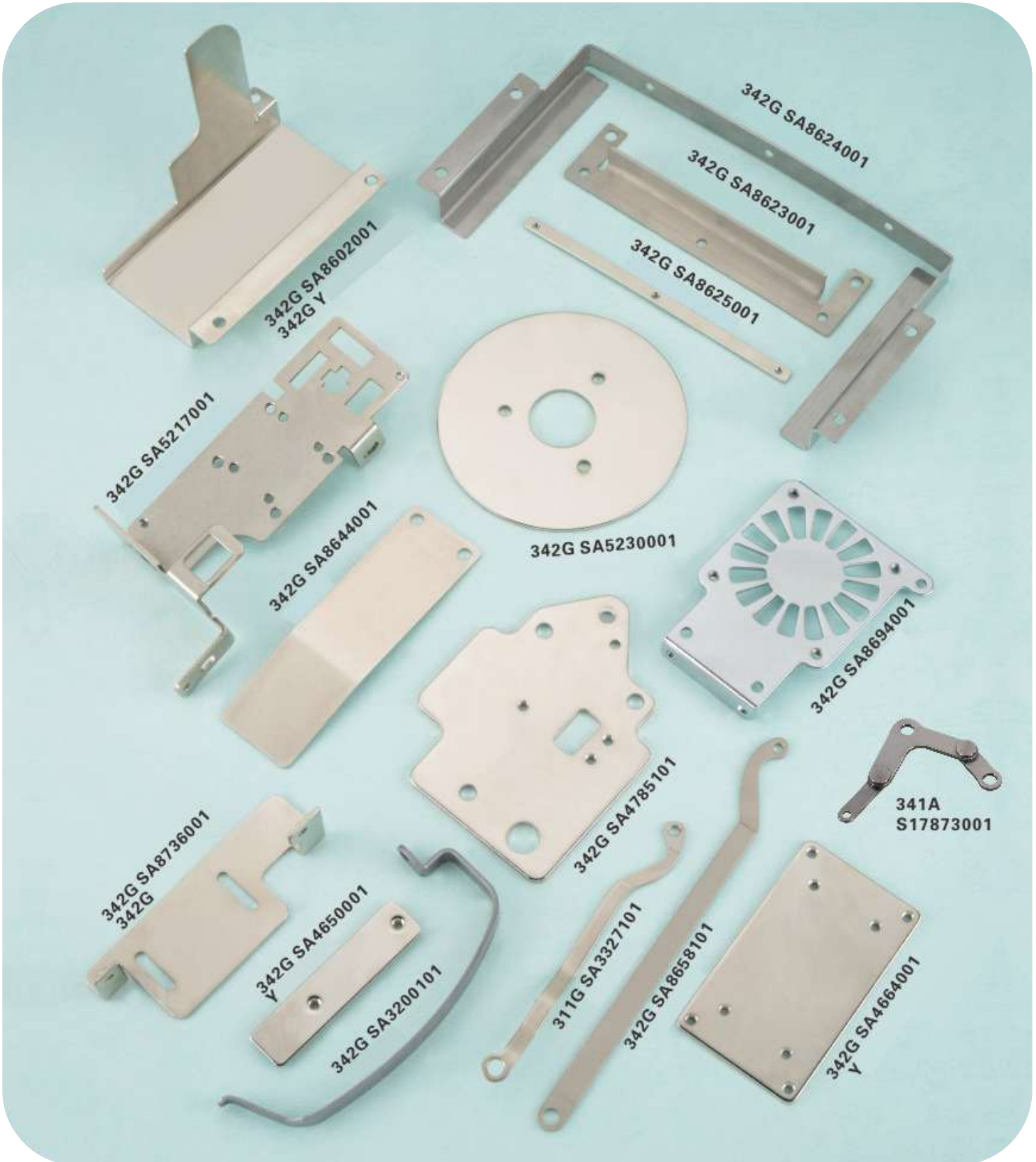


For Supreme & Brother 342G/311G/326G



EM INDUSTRIAL SUPPLIES

Sewing and Cutting Machine Spares Supplier



For Supreme & Brother 342G/311G/326G



EM INDUSTRIAL SUPPLIES

Sewing and Cutting Machine Spares Supplier



For Mitsubishi 2010/2516



EM INDUSTRIAL SUPPLIES

Sewing and Cutting Machine Spares Supplier



For Mitsubishi 2010/2516



EM INDUSTRIAL SUPPLIES

Sewing and Cutting Machine Spares Supplier



For Mitsubishi 2010/2516



EM INDUSTRIAL SUPPLIES

Sewing and Cutting Machine Spares Supplier



For Mitsubishi 2010/2516



EM INDUSTRIAL SUPPLIES

Sewing and Cutting Machine Spares Supplier



For Mitsubishi 2010/2516



EM INDUSTRIAL SUPPLIES

Sewing and Cutting Machine Spares Supplier



For Mitsubishi 2010/2516



EM INDUSTRIAL SUPPLIES

Sewing and Cutting Machine Spares Supplier

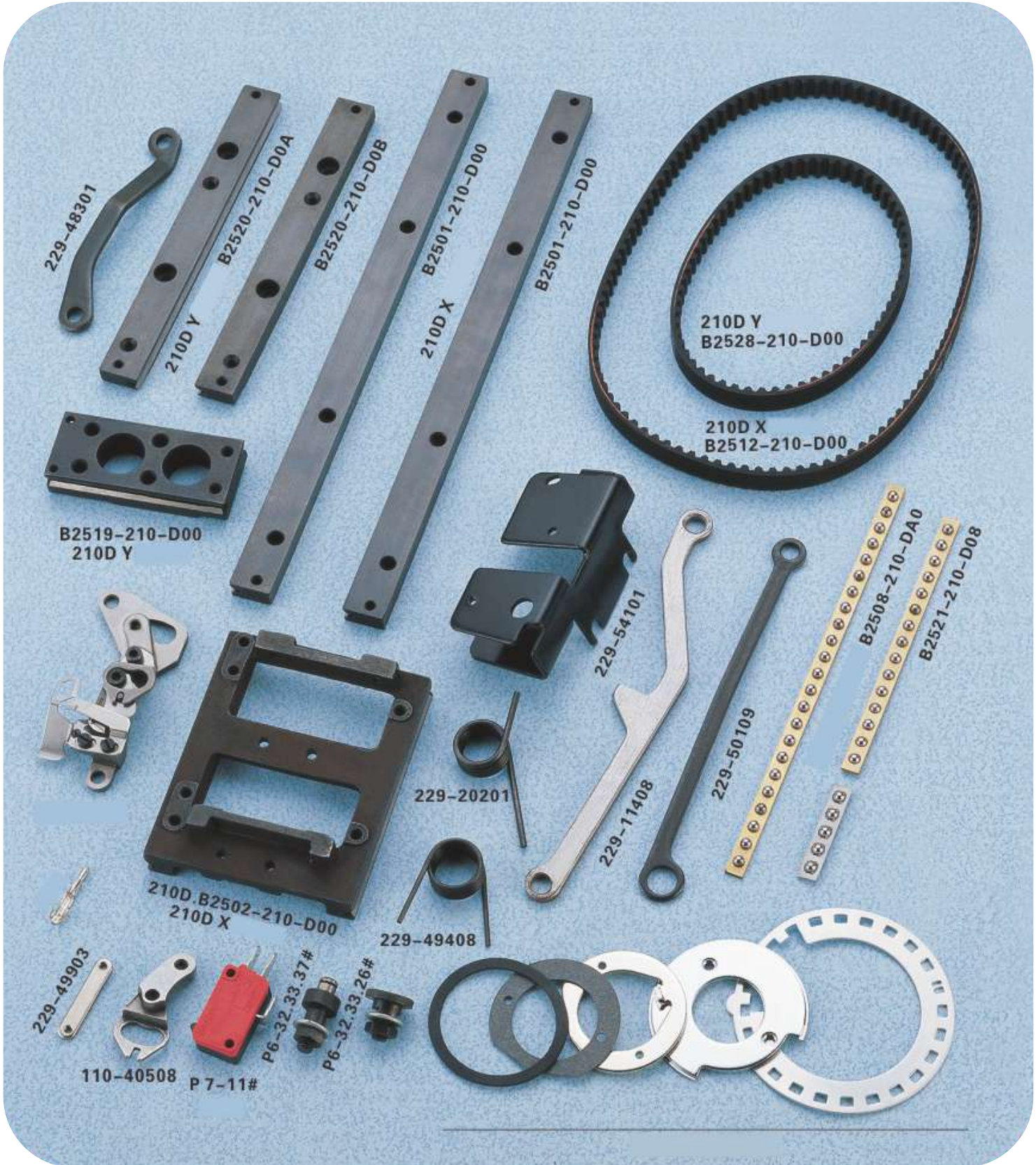


For Juki 210D



EM INDUSTRIAL SUPPLIES

Sewing and Cutting Machine Spares Supplier



For Juki 210D



EM INDUSTRIAL SUPPLIES

Sewing and Cutting Machine Spares Supplier



For Juki 210D



EM INDUSTRIAL SUPPLIES

Sewing and Cutting Machine Spares Supplier



For Juki 210D



EM INDUSTRIAL SUPPLIES

Sewing and Cutting Machine Spares Supplier



For Juki 210D



EM INDUSTRIAL SUPPLIES

Sewing and Cutting Machine Spares Supplier



For Juki 210D



EM INDUSTRIAL SUPPLIES

Sewing and Cutting Machine Spares Supplier



For Brother 430C/430D



EM INDUSTRIAL SUPPLIES

Sewing and Cutting Machine Spares Supplier



For Brother 430C/430D



EM INDUSTRIAL SUPPLIES

Sewing and Cutting Machine Spares Supplier



For Juki 1850/1900



EM INDUSTRIAL SUPPLIES

Sewing and Cutting Machine Spares Supplier



For Supreme Brother 342G/311G



EM INDUSTRIAL SUPPLIES

Sewing and Cutting Machine Spares Supplier



For Juki 210D/210E/221EN



EM INDUSTRIAL SUPPLIES

Sewing and Cutting Machine Spares Supplier

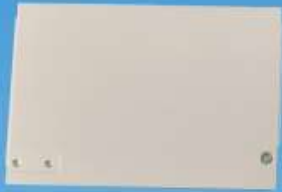


Cover Plate Assy Series



EM INDUSTRIAL SUPPLIES

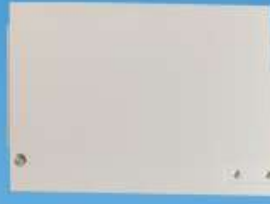
Sewing and Cutting Machine Spares Supplier



SA6360001
L



SA6361001



SA6359001
R



SA6361001

311G,326G



SA8615001



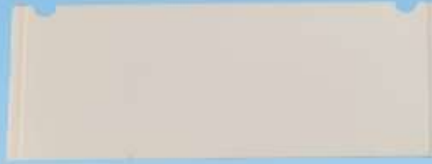
SA8612001



SA8619001



SA8617001

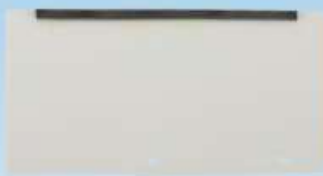


SA8619001

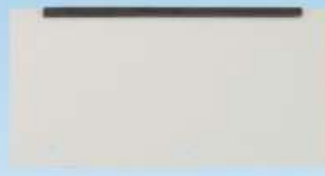


SA8617001

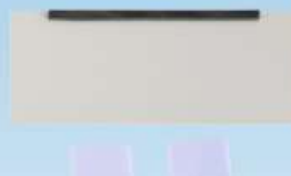
342G



B1110-210-DA0



B1118-210-DA0



B1109-210-DA0



B1109-210-DA0

210D



MB61E1339



MB61E0339



MB61E2339



MB61E2339

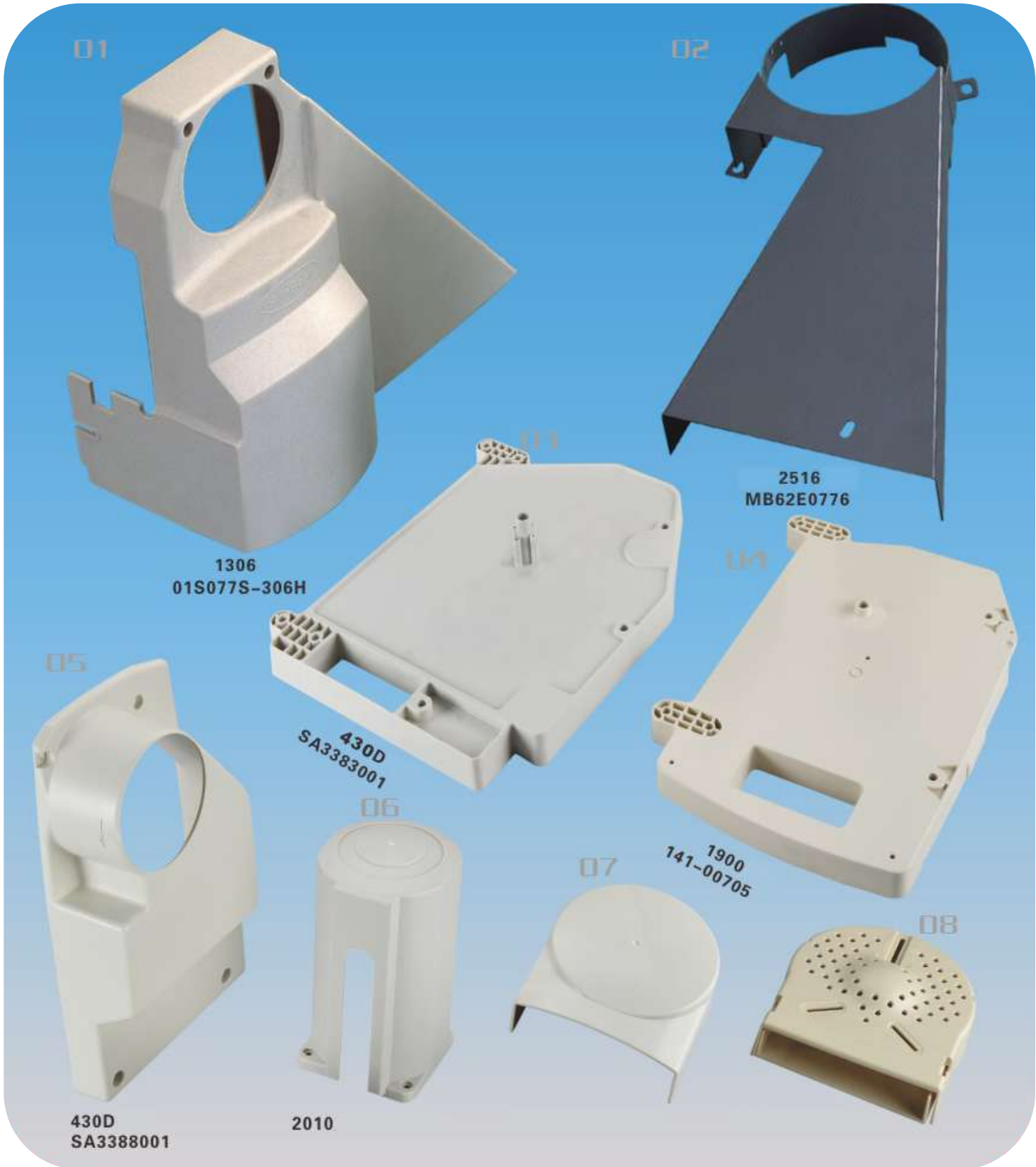
(2010,2516,3020)

(Accessories Series) Belt Cover/Motor Cover



EM INDUSTRIAL SUPPLIES

Sewing and Cutting Machine Spares Supplier



(Accessories Series) Belt Cover/Motor Cover



EM INDUSTRIAL SUPPLIES

Sewing and Cutting Machine Spares Supplier

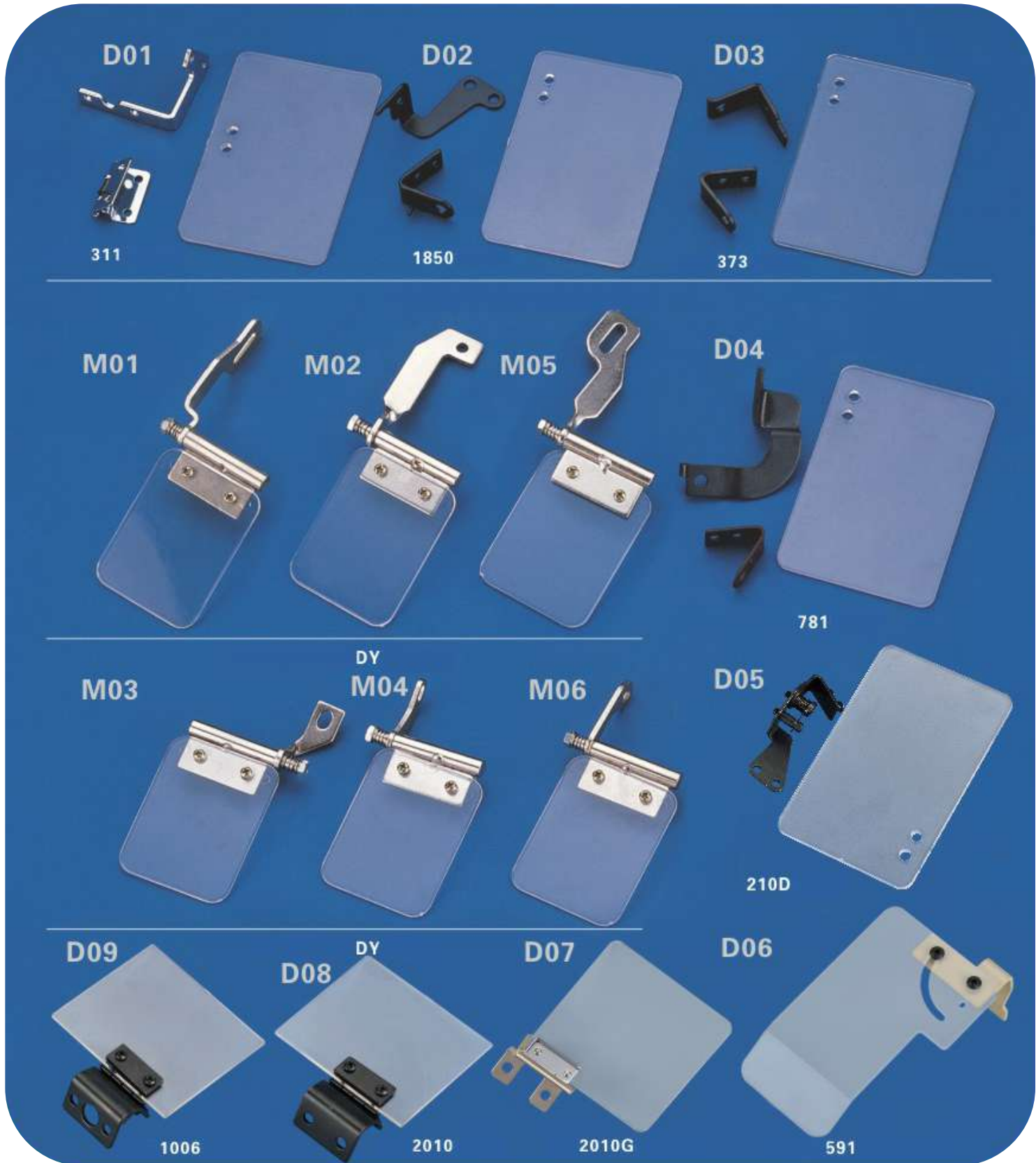


(Accessories Series) Belt Cover/Motor Cover



EM INDUSTRIAL SUPPLIES

Sewing and Cutting Machine Spares Supplier

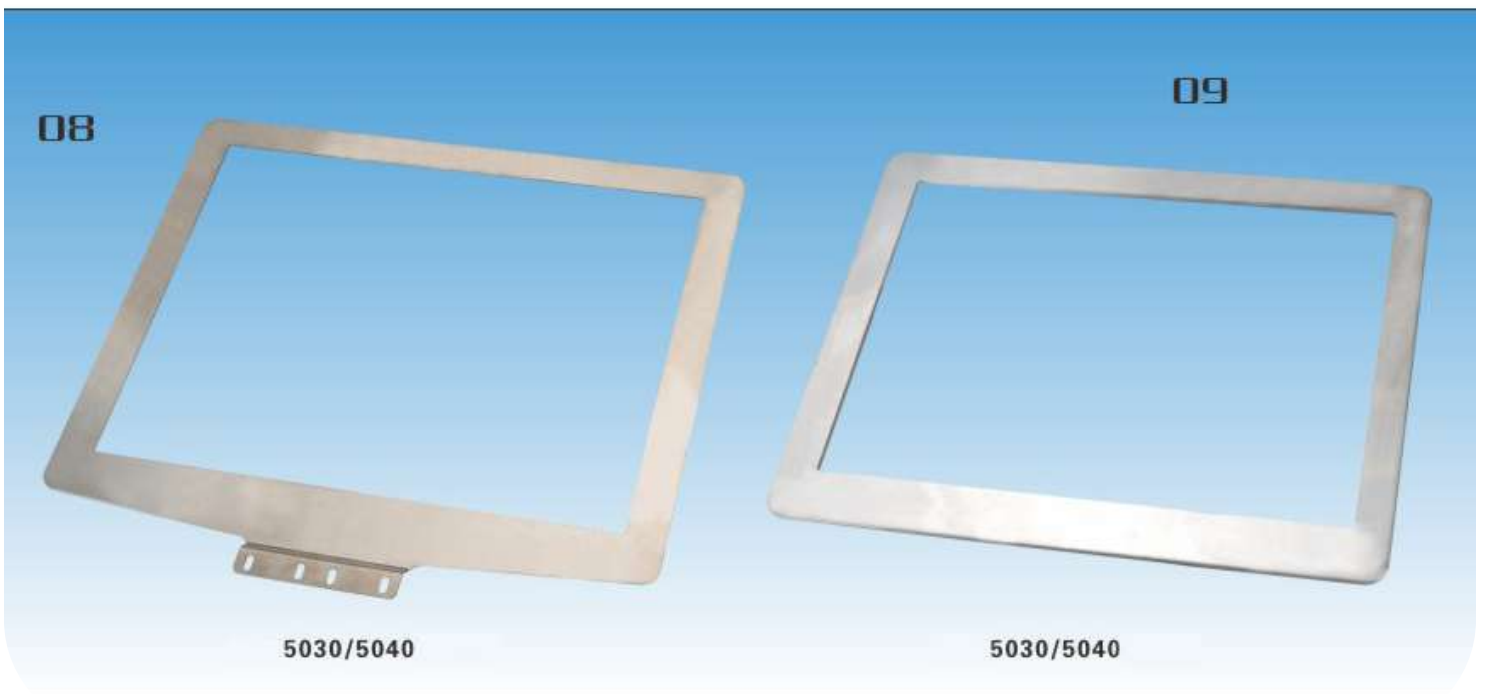
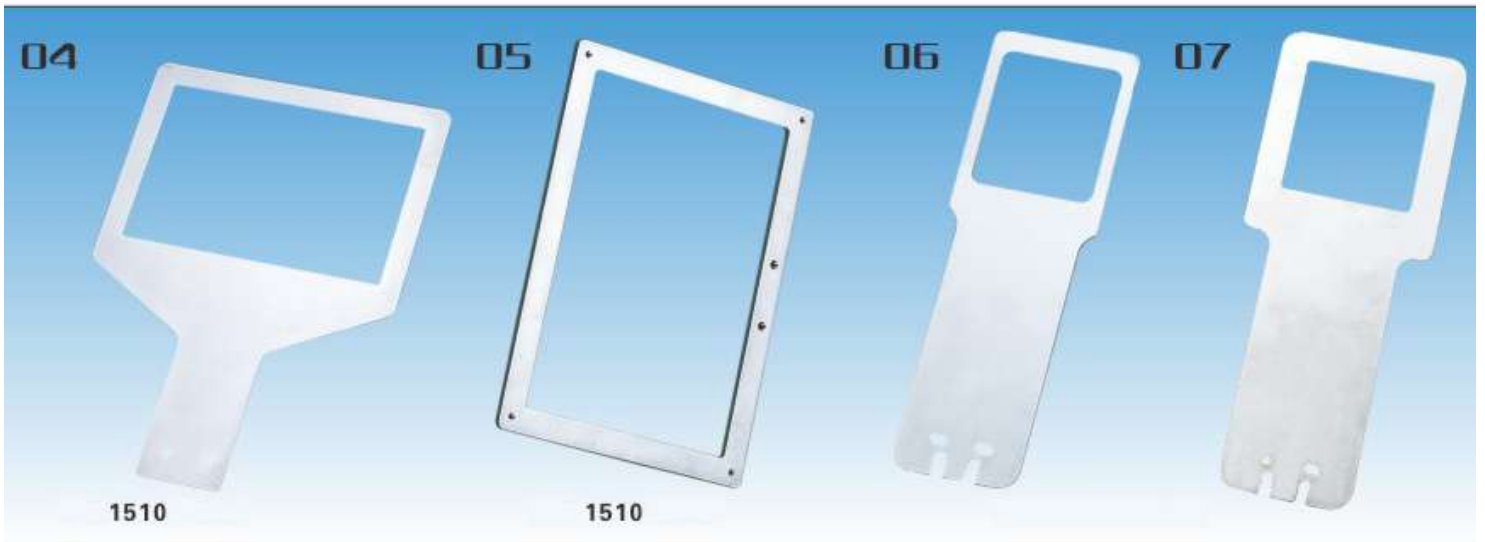


Feed Frame & Feed Plate Series



EM INDUSTRIAL SUPPLIES

Sewing and Cutting Machine Spares Supplier

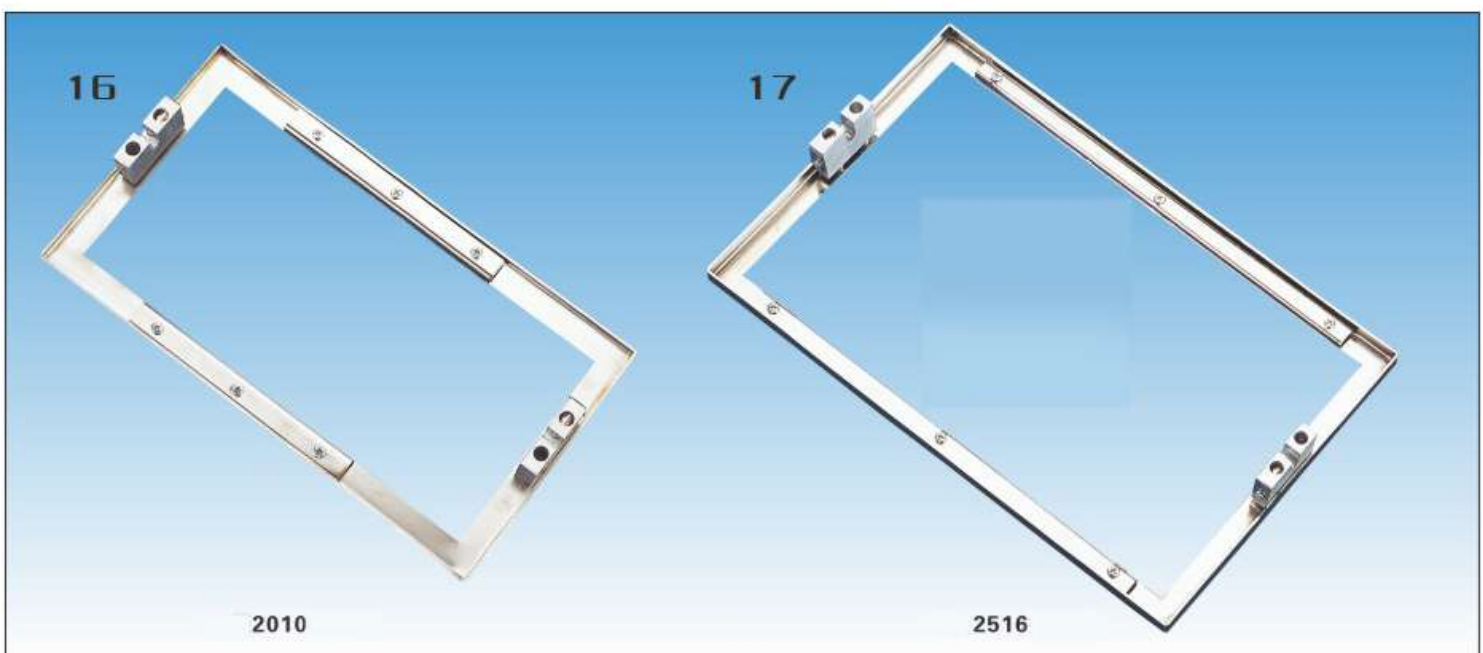
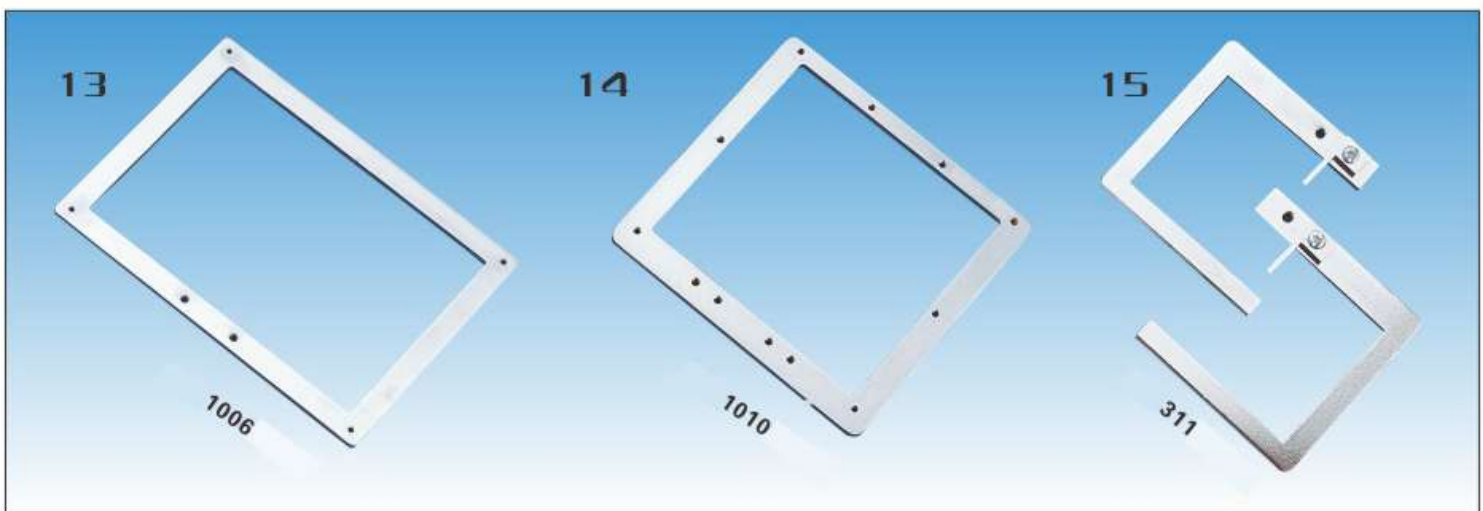
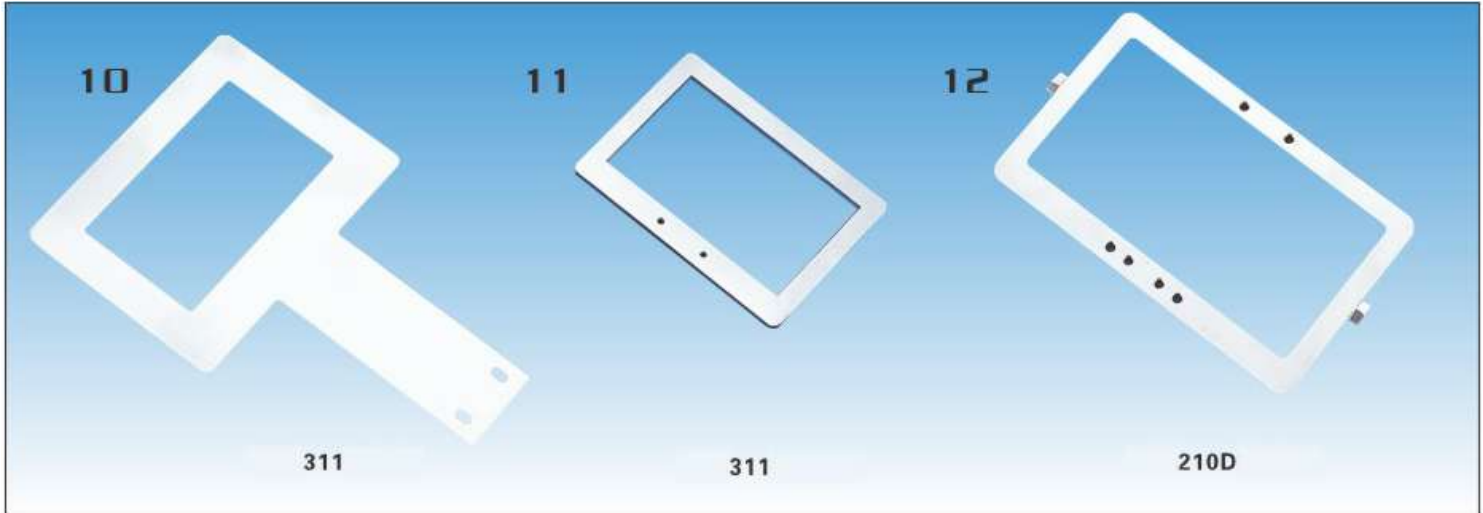


Feed Frame & Feed Plate Series



EM INDUSTRIAL SUPPLIES

Sewing and Cutting Machine Spares Supplier

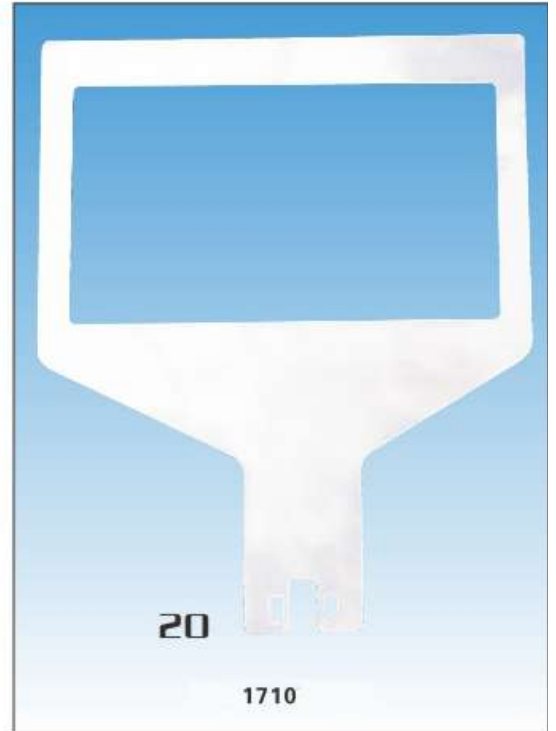


Feed Frame & Feed Plate Series



EM INDUSTRIAL SUPPLIES

Sewing and Cutting Machine Spares Supplier

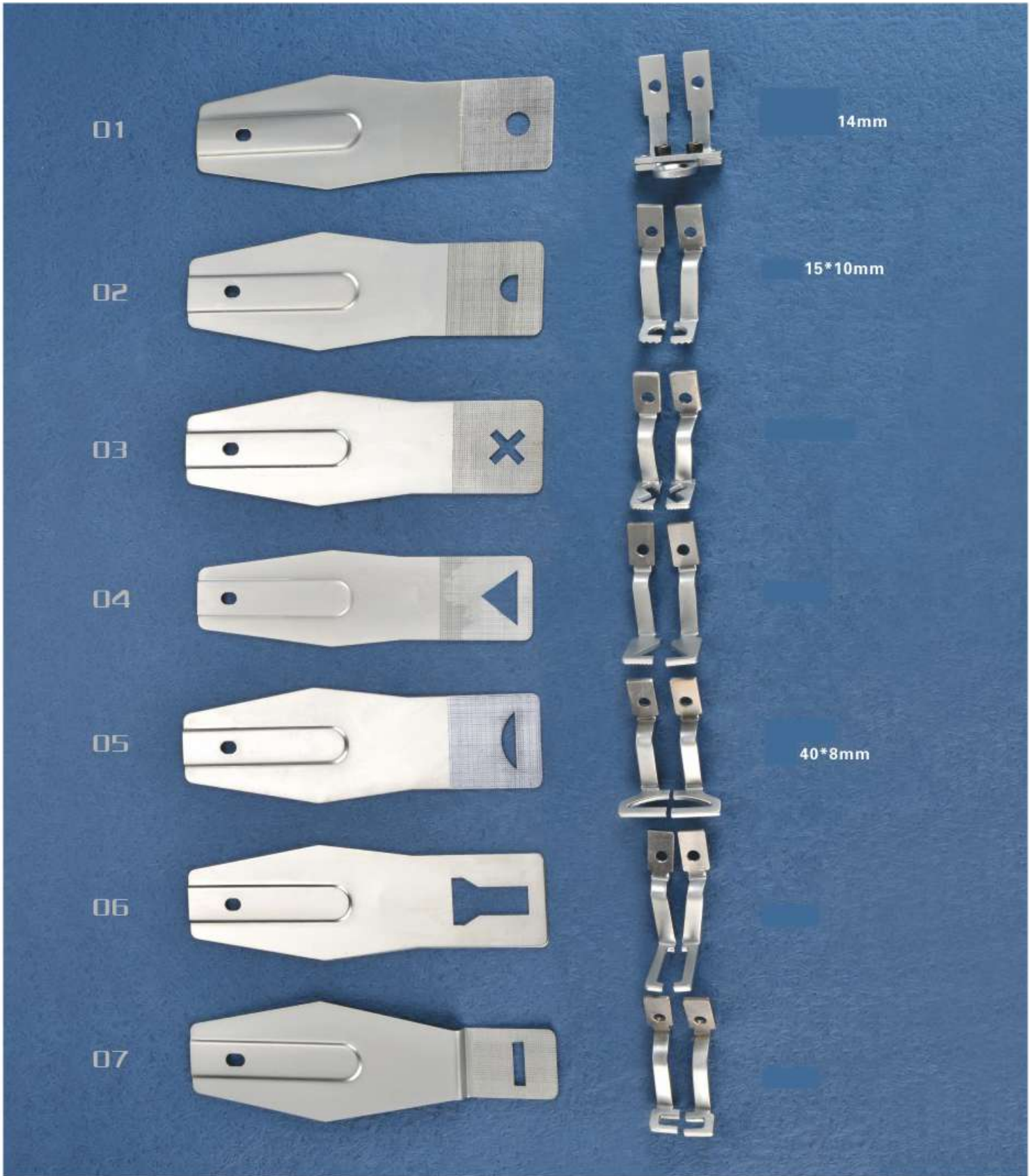


Feed Plate & Presser Foot For Juki 1850/1900



EM INDUSTRIAL SUPPLIES

Sewing and Cutting Machine Spares Supplier

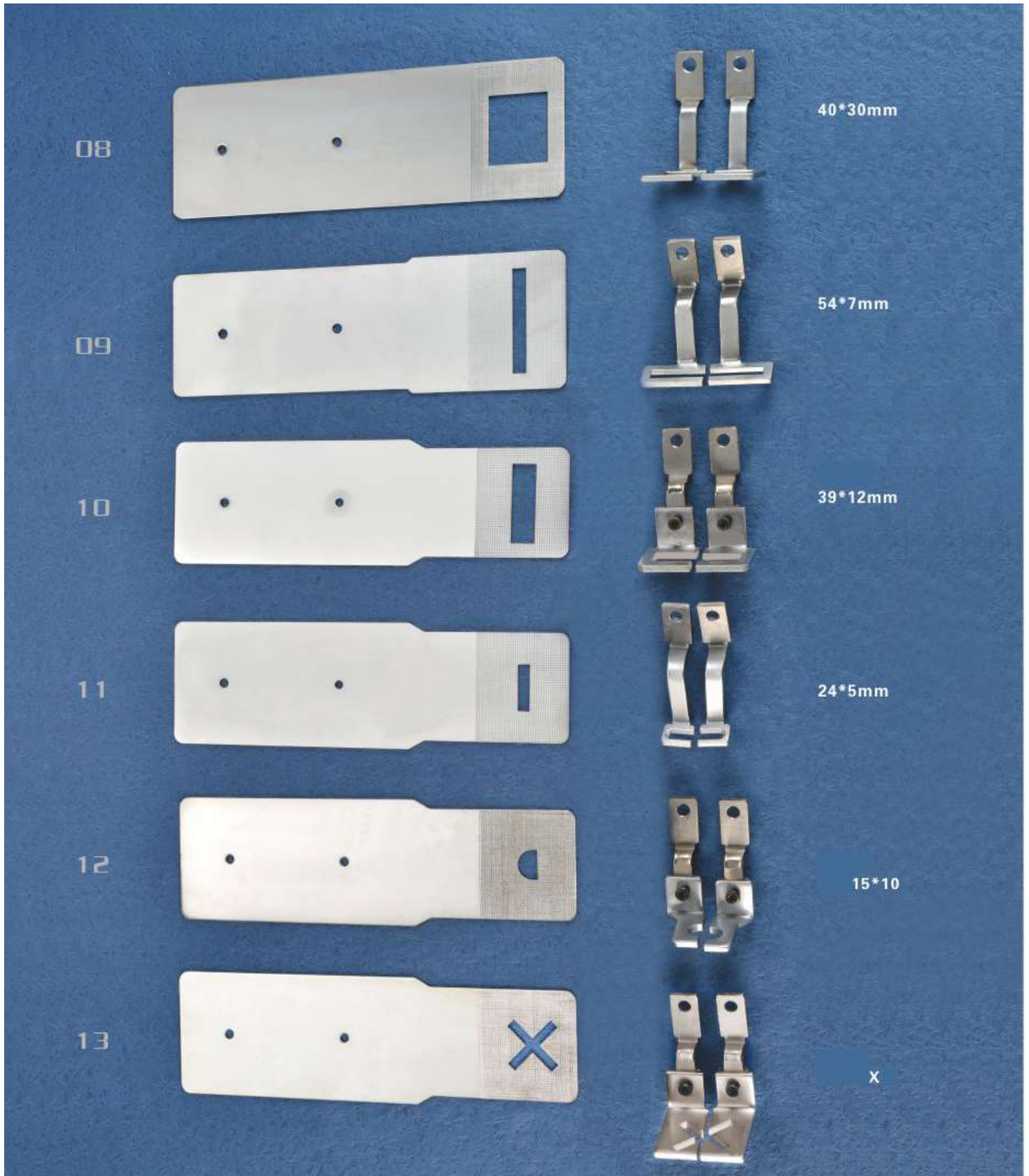


Feed Plate & Presser Foot For Juki 1850/1900



EM INDUSTRIAL SUPPLIES

Sewing and Cutting Machine Spares Supplier

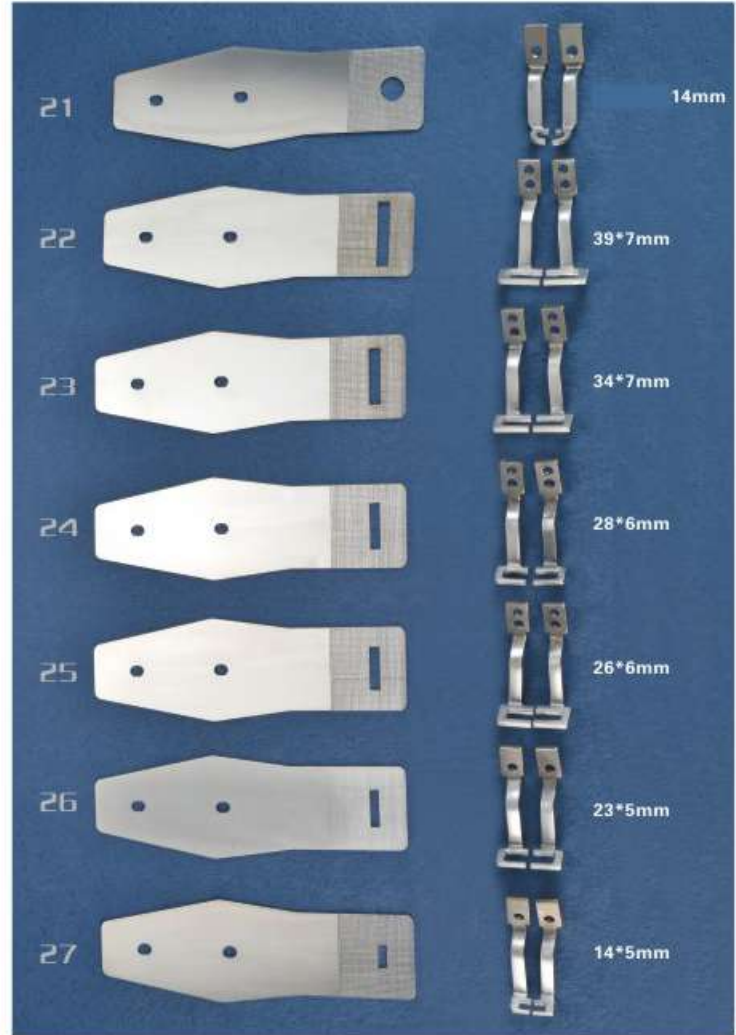
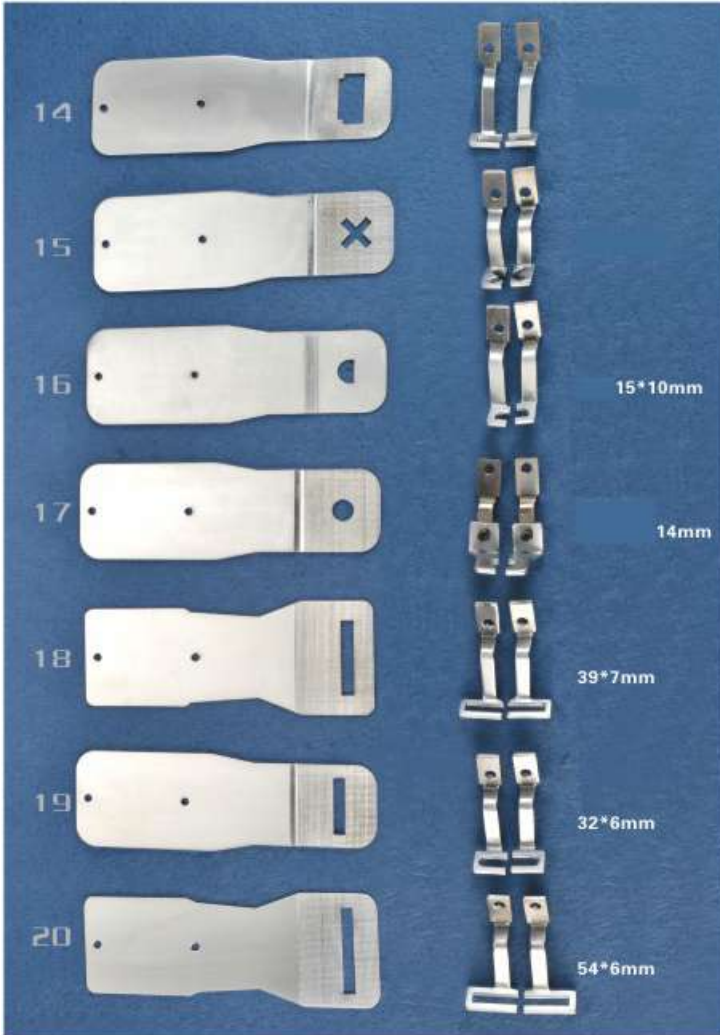


Feed Plate & Presser Foot For Brother 430D



EM INDUSTRIAL SUPPLIES

Sewing and Cutting Machine Spares Supplier



EM INDUSTRIAL SUPPLIES

We are professional suppliers of sewing machine fittings and we provide all kinds of sewing machine parts and accessories. New items are always added to our website product list. If you are interested in our products or want to place an order, please contact us via the details below:

Sewing and Cutting Machine Spares Supplier

We reply within 24 hours

64 Shetland Drive Queens Park Bulawayo Zimbabwe	2 Premier Place Industrial Park Durban, KZN South Africa	Flat 7, 192 Edward Road, B12 9LX United Kingdom
--	---	--

- @ emindustrial@telkomsa.net
- ☎ (+27) 074 918 1839
- 🌐 www.emgroupsa.co.za
- 🌐 www.emindustrialsupplies.com

For Durkopp Adler



EM INDUSTRIAL SUPPLIES

Sewing and Cutting Machine Spares Supplier



EM INDUSTRIAL SUPPLIES



M767



767



868



768

- @ emindustrial@telkomsa.net
- ☎ (+27) 074 918 1839
- 🌐 www.emgroupsa.co.za
- 🌐 www.emindustrialsupplies.com

Presser Foot For Durkopp Adler



EM INDUSTRIAL SUPPLIES

Sewing and Cutting Machine Spares Supplier



Presser Foot For Durkopp Adler



EM INDUSTRIAL SUPPLIES

Sewing and Cutting Machine Spares Supplier



Presser Foot For Durkopp Adler



EM INDUSTRIAL SUPPLIES

Sewing and Cutting Machine Spares Supplier



Presser Foot For Durkopp Adler



EM INDUSTRIAL SUPPLIES

Sewing and Cutting Machine Spares Supplier

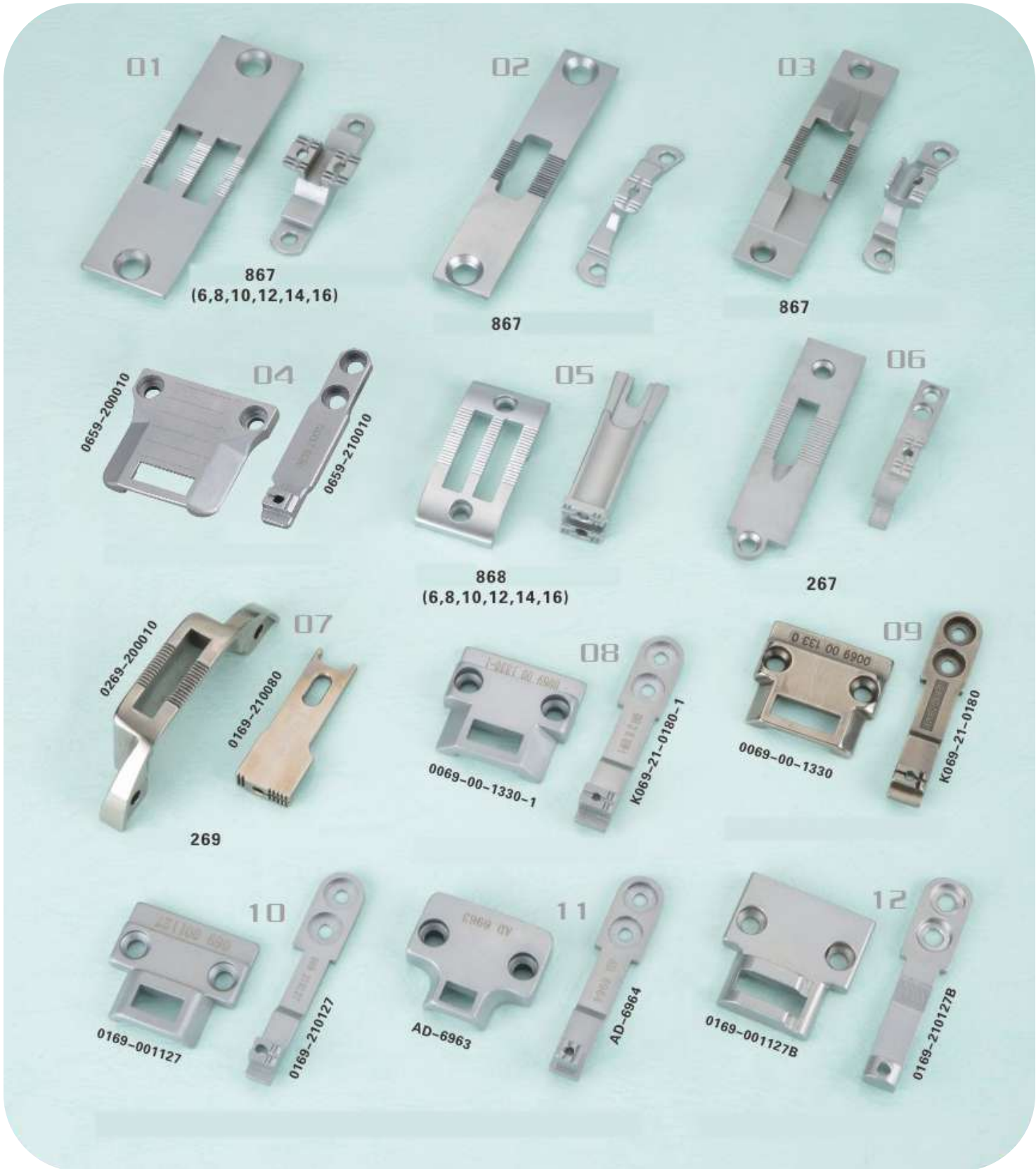


Needle Plate & Feed Dog For Durkopp Adler



EM INDUSTRIAL SUPPLIES

Sewing and Cutting Machine Spares Supplier

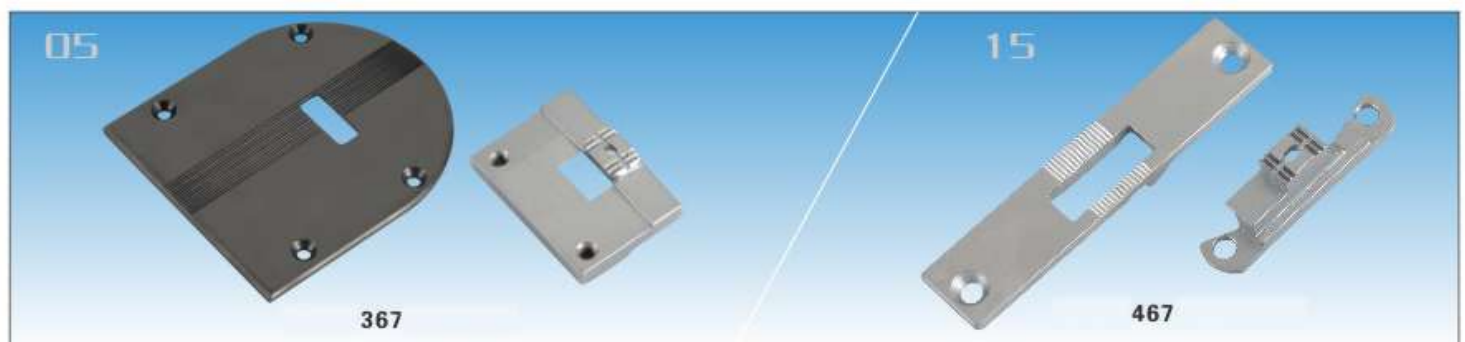
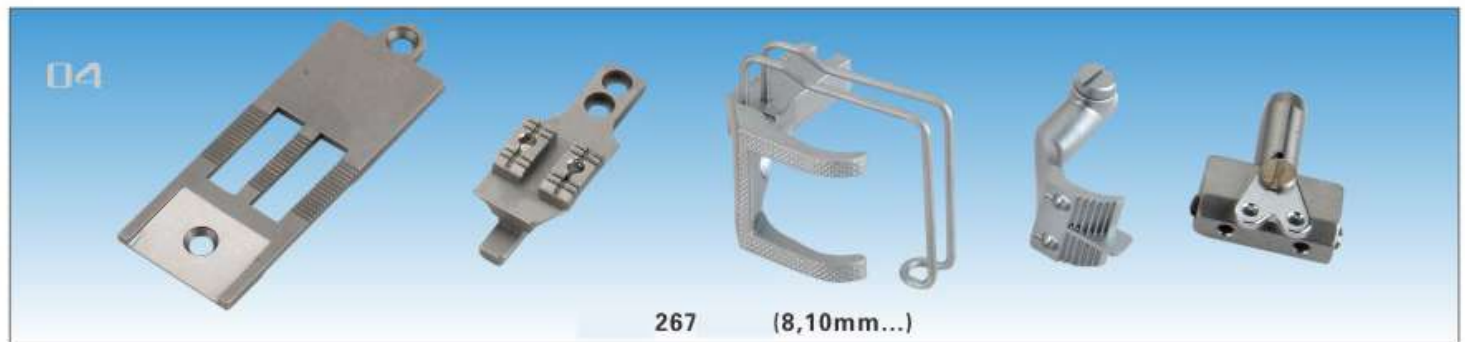


Gauge Set For Industrial Sewing Machines



EM INDUSTRIAL SUPPLIES

Sewing and Cutting Machine Spares Supplier

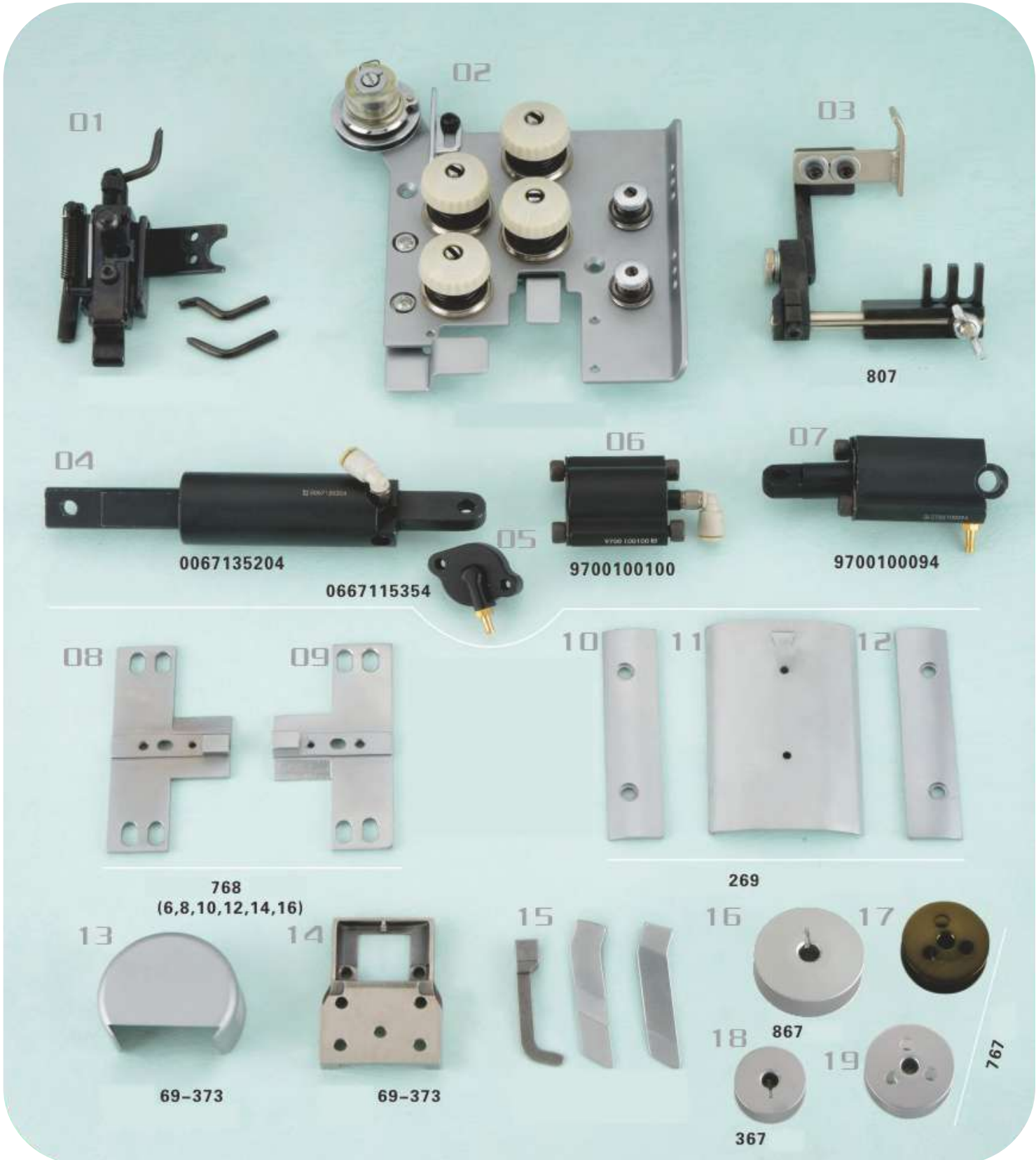


For Durkopp Adler



EM INDUSTRIAL SUPPLIES

Sewing and Cutting Machine Spares Supplier

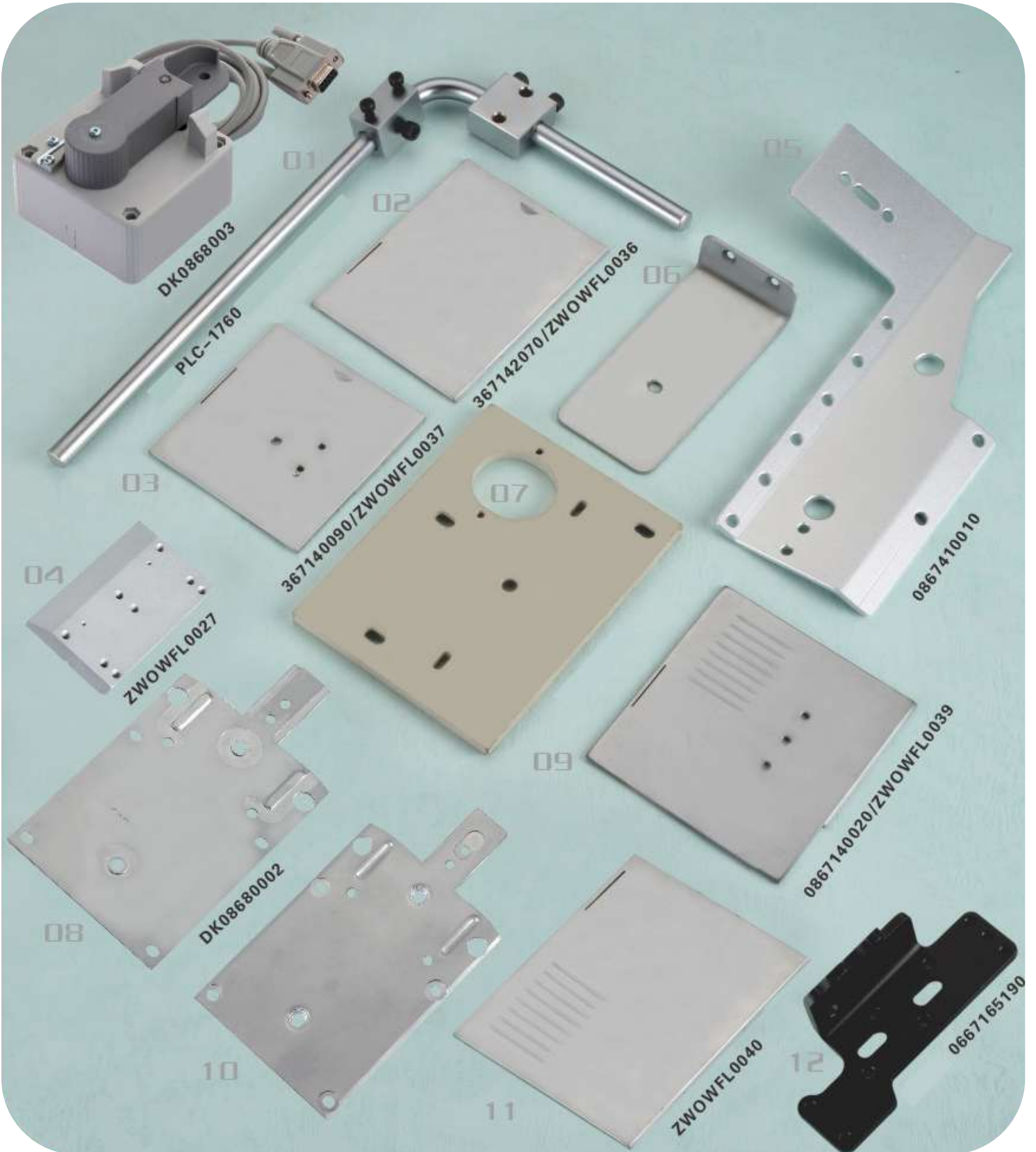


For Durkopp Adler



EM INDUSTRIAL SUPPLIES

Sewing and Cutting Machine Spares Supplier



For Durkopp Adler



EM INDUSTRIAL SUPPLIES

Sewing and Cutting Machine Spares Supplier



For Durkopp Adler



EM INDUSTRIAL SUPPLIES

Sewing and Cutting Machine Spares Supplier



For Durkopp Adler



EM INDUSTRIAL SUPPLIES

Sewing and Cutting Machine Spares Supplier



For Durkopp Adler



EM INDUSTRIAL SUPPLIES

Sewing and Cutting Machine Spares Supplier



DN0DDD0120

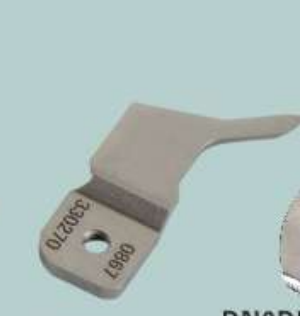
DN0DDD0121



DN0DDD0117

DN0DDD0118

DN0DDD0119



DN0DDD0170



DN0DDD0172



DN0DDD0116



ZW0WFL0015



DK07670005



768
KG768VP
DK0868004



IW0WFL0094



M767



DK02040006

DK02040007



DK02040003



DK02040001



DK02040004



DK02040002

Standard Feet For Durkopp Adler / Juki 367,467,767 / LU-2210



EM INDUSTRIAL SUPPLIES

Sewing and Cutting Machine Spares Supplier

KP367W

Feeding foot width : 8mm
0367-220993 + 0467-220013

KP367N

Feeding foot width : 5.8mm
0367-225053 + 0367-225043

KP367F

For binding
Feeding foot width : 12.2mm
0367-220103 + 0067-220993

KP367LN

Left cording feet set
0367-220343 + 0067-220703

KP367RN

Right cording feet set
0367-220283 + 0067-220713

KP367T

For zipping
Feeding foot width : 6mm
0367-220103 + 0067-220993

KP367-N081

Presser foot width : 10mm
Feeding foot width : 4.5mm

KP367-L081

Presser foot width : 7.5mm
Feeding foot width : 4.5mm

KP367-R081

Presser foot width : 7.5mm
Feeding foot width : 4.5mm

Presser feet set for narrow operation. They must be used together with "KH467N081-NP" needle plate and "KH467N081-FD" feed dog.
"KH467N081-NP" "KH467N081-FD"

KP467Q

For upturned material, head rest or seam with a large drop-height

* Must be used with KH467Q-NP/FD
KH467Q-NP/FD

KP367VX

Climbing over cross seams

0767-220013 + 0467-220483

KP367VC

Climbing over thicker materials

0367-221543 + 0367-221553

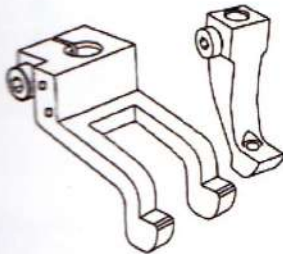
Standard Feet For Durkopp Adler / Juki 367,467,767 / LU-2210



EM INDUSTRIAL SUPPLIES

Sewing and Cutting Machine Spares Supplier

KP367S



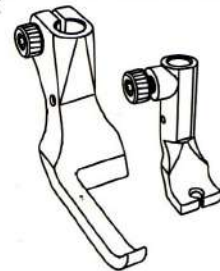
For small operation

KP367TP



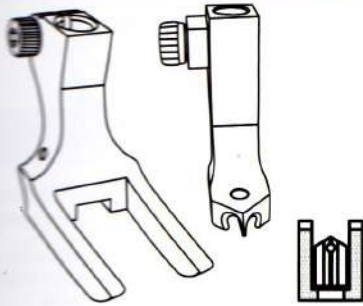
Tape attaching tube on feeding feed
Tape width : 5mm or tailor-made
:5mm

KP367B

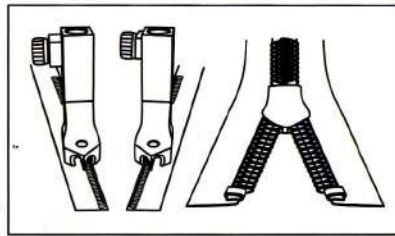


For binding. Working together with KH467B
needle plate & feed dog and KHB767
H467B
KHB767

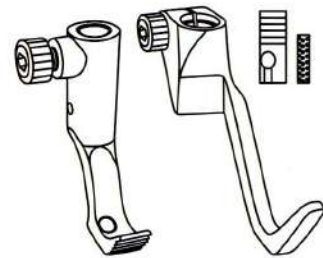
KP367ZP



Feet for invisible zipper, used together with KH844
KH844

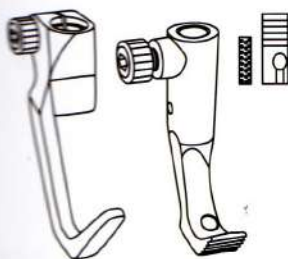


KP367LV



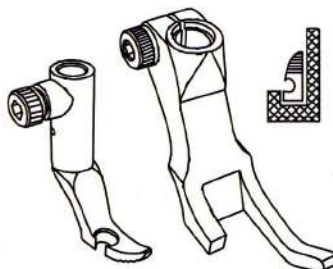
Left cording feet for climbing cross seams

KP367RV



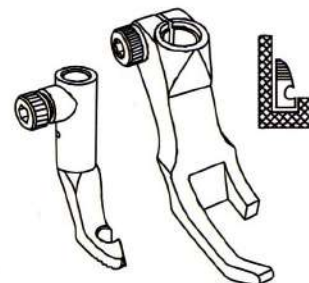
Right cording feet for climbing cross seams

KP467LW



Left cording feet for heavy materials

KP467RW



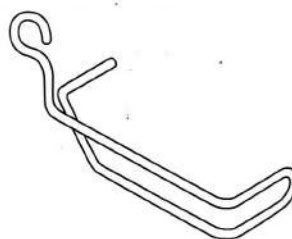
Right cording feet for heavy materials

KP10711703



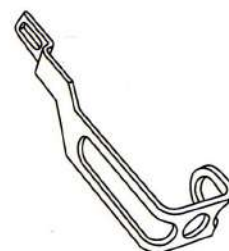
Climbing over thicker materials

KH367FG



Finger guard for KP367W/ N/ LN/ RN/ F/T
KP367W/ N/ LN/ RN/ F/T
* Right hand side model is available

KH367FG2



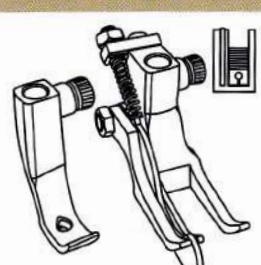
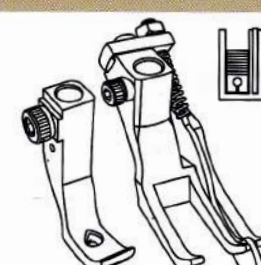
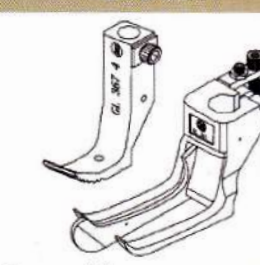
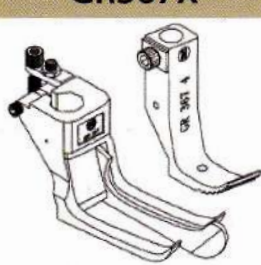
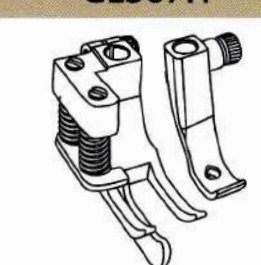
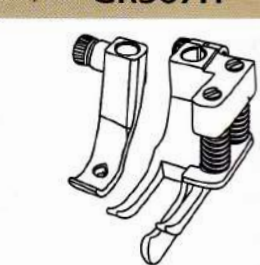
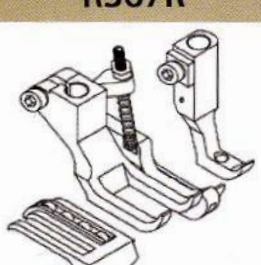
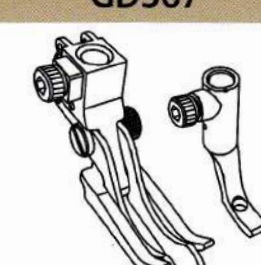
Stronger finger guard
* Right hand side model is available

Guiding Feet (Single Needle) For Durkopp Adler / Juki 367,467,767 / LU-2210



EM INDUSTRIAL SUPPLIES

Sewing and Cutting Machine Spares Supplier

<p>GL367</p>  <p>Left compensating guide feet</p>	<p>GR367</p>  <p>Right compensating guide feet</p>	<p>GL367X</p>  <p>Stronger left compensating guide & wider feeding foot for HEAVY DUTY</p>
<p>3, 4, 5, 6, 8, 9 mm</p>	<p>3, 4, 5, 6, 8, 9 mm</p>	<p>3, 4, 5, 6, 8, 9 mm</p>
<p>GR367X</p>  <p>Stronger right compensating guide & wider feeding foot for HEAVY DUTY</p>	<p>GL367H</p>  <p>Deeper left compensating guide with balancing spring for EXTREME HEAVY DUTY</p>	<p>GR367H</p>  <p>Deeper right compensating guide with balancing spring for EXTREME HEAVY DUTY</p>
<p>3, 4, 5, 6, 8, 9 mm</p>	<p>4, 5, 6, 8, 9 mm</p>	<p>4, 5, 6, 8, 9 mm</p>
<p>R367R</p>  <p>Right roller guide feet</p>	<p>GD367</p>  <p>Double compensating guide feet</p>	
<p>3, 4, 5, 6 mm</p>	<p>3/32", 1/8", 3/16", 1/4"</p>	

Piping Gauge Sets For Durkopp Adler / Juki 367,467,767 / LU-2210

EM INDUSTRIAL SUPPLIES

Sewing and Cutting Machine Spares Supplier

KH367-NP

Needle plate for piping, which is used together with KH367-FDP or KH367-FD

KH367-FDP
KH367-FD

Grooved feed dog's main purpose is solving the problem of unbalance between upper and lower layers. It must be used together with KH367PL/ PR/ PF/ PB/ PC/ PCS presser feet

KH367PL/ PR/ PF
PB/ PC/ PCS

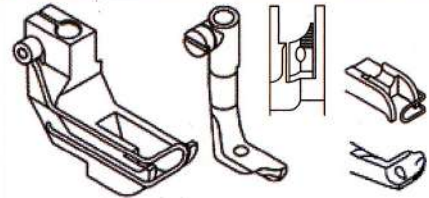
KH367-HNP

Needle plate for larger piping, which is used together with KH367-HFD

KH367-HFD

Groove Size 坑闊:
6mm, 9mm

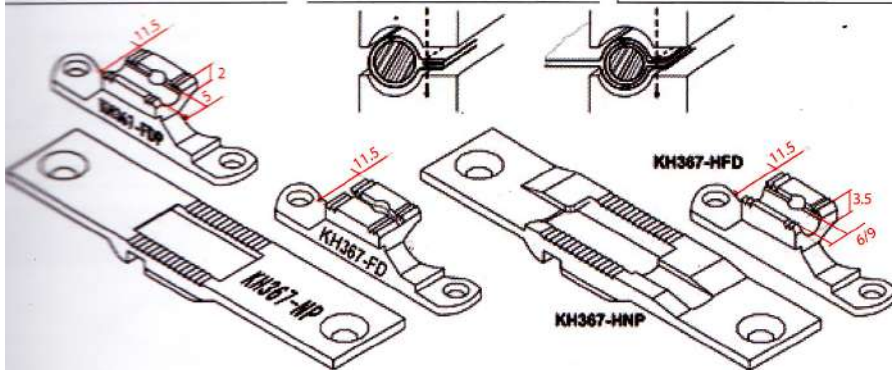
KH767WG



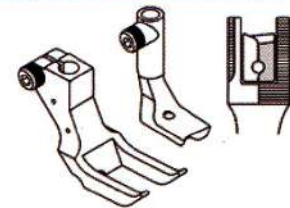
Welt groove is integrated one half each in the presser foot and feeding foot
It can be used together with KHF767WS

KHF767WS

5mm (W) x 5mm (H), 5mm (W) x 7mm (H)



KH767TG



Welt groove is integrated one half each in the presser foot and feeding foot
It can be used together with KHF767TS

KHF767TS

5, 6, 8 mm

KH367-FDP

Grooved feed dog for 5mm piping, totally 11.5mm wide
11.5mm
5mm

KH367-FD

Feed dog for piping, 11.5mm wide
11.5mm

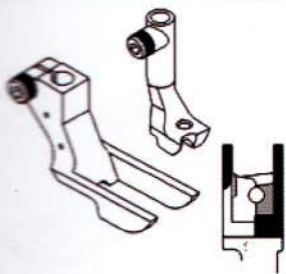
KH367-HFD

Grooved feed dog for larger piping, which is used together with KH367-HNP

KH367-HNP

Groove Size
6mm, 9mm

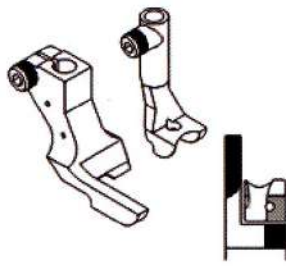
KH367PF



Cording groove on the left of the needle

3, 4, 5, 6, 8, 9 mm

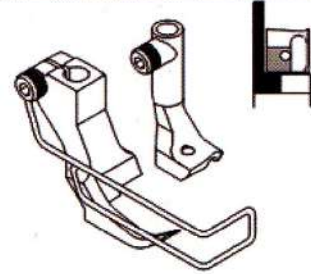
KH367PL



Cording groove on the left of the needle

3, 4, 5, 6, 8, 9 mm

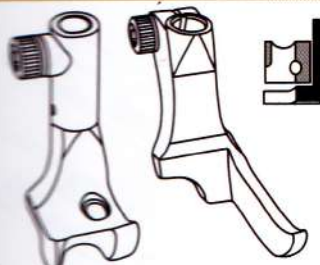
KH367PR



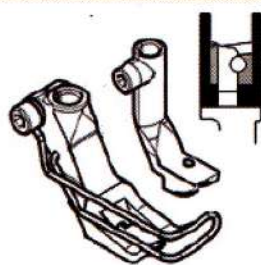
Cording groove on the right of the needle

3.2, 4.8, 6.4 mm

KH367PB



KH367PC



KH367PCS



Piping Gauge Sets For Durkopp Adler / Juki 367,467,767 / LU-2210



EM INDUSTRIAL SUPPLIES

Sewing and Cutting Machine Spares Supplier

KH367PD

Double piping groove, needle hole in the middle

3/16" x 2, 1/4" x 2, 3/8" x 2
5mm x 2, 6mm x 2, 8mm x 2

KH367PJ

Cording groove on the left of the needle. Groove position is adjustable in order to adjust the space between the needle and the cord.

3, 4, 5, 6, 7, 8, 9 mm

KH367TG

Cording groove on the left of the needle its welt groove is integrated one half each in the presser foot and feeding foot

3, 4, 5, 6 mm

Gauge Sets
(Single Needle)

Durkopp Adler / Juki
467,767 / LU-2210

KH467-NP6/FD

Feed dog 8mm wide, max stitch length 6mm
8mm 6mm

KH467-NP11/FD

Feed dog 8mm wide, max stitch length 11mm
8mm 11mm

0467-210070

Feed dog 8mm wide
8mm

KH467N081-NP/FD

* Must be used with KP467-N081/L081/R081 presser feet for narrow operation
KP467-N081/L081/R081

KH467Q-NP/FD

For upturned material, head rest or seam with a large drop-height

* Must be used with KP467Q presser feet
KP467Q

KH467K-NP/FD

For thin material

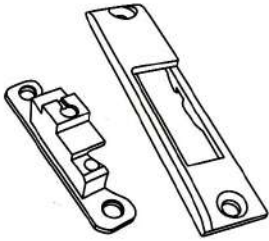
Gauge Sets (Single Needle) For Durkopp Adler / Juki 467,767 / LU-2210



EM INDUSTRIAL SUPPLIES

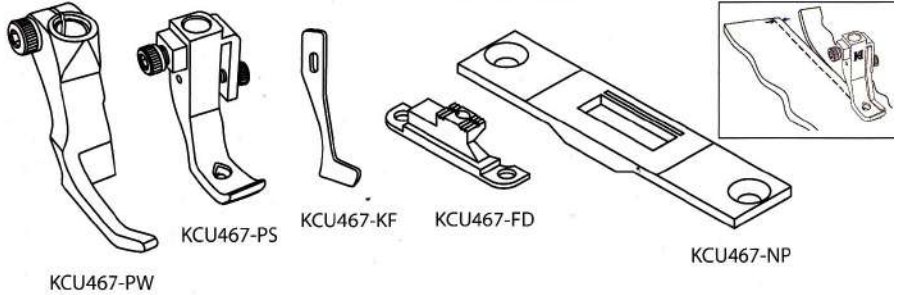
Sewing and Cutting Machine Spares Supplier

KH467B



Feed dog enable the binder and rocking with moving arm KHB767 KHB767

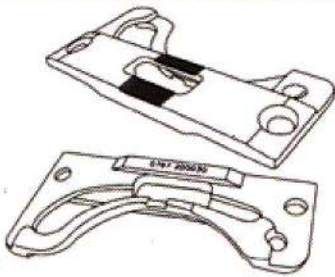
KCU467-GS 467/767 Edge cutting gauge set



Standard width

3.0mm , 4.8mm

0767-200030



Needle plate for 767-KFA-373-RAF-HP
Max stitch length 9mm
767-KFA-373-RAF-HP針板，最長行程 9mm

0367-232010KH



Needle bar for single needle using with KH767-NCS

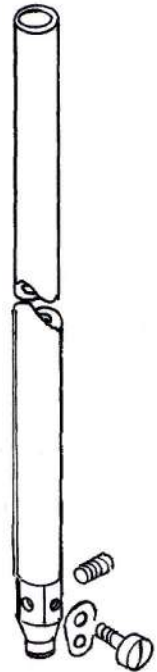
KH767-NCS

0767-120050KH



Needle bar complete for single needle

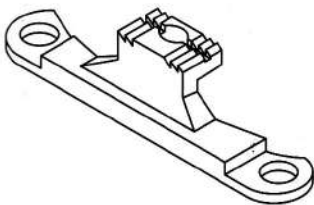
0767-120064KH



Needle bar complete for single needle

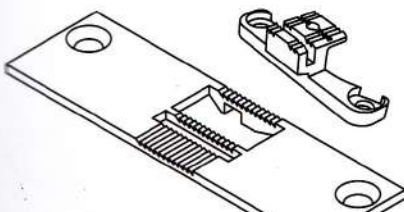
0767-120060 Needle bar
0291-000159 Thread guide
9203-312411 Screw

0767-210030

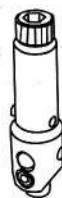


Feed dog for 767-KFA-373-RAF-HP
767-KFA-373-RAF-HP

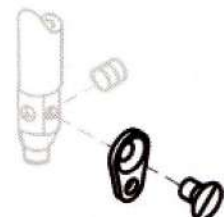
0367-200340 + 0367-210230



KH767-NCS



0291-000159 + 9203-312411

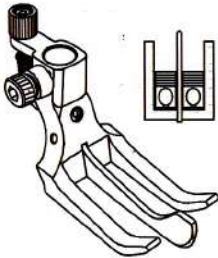

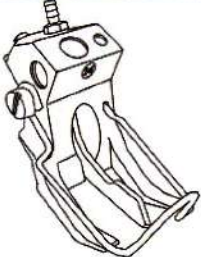
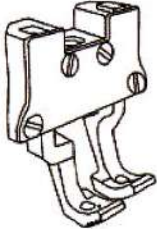
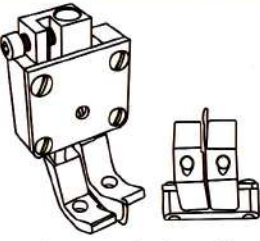
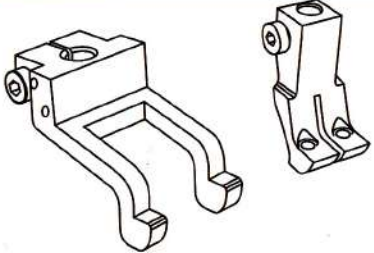
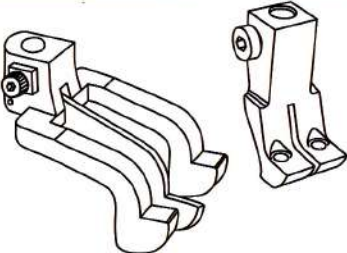
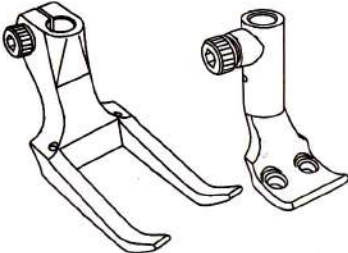
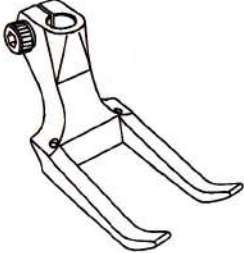



Double Needle Feet For Durkopp Adler / Juki 467,767 / LU-2260



EM INDUSTRIAL SUPPLIES

Sewing and Cutting Machine Spares Supplier

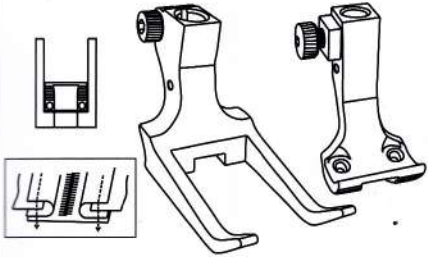
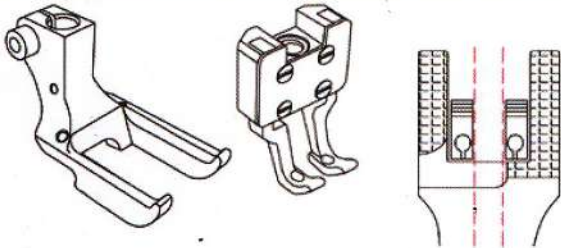
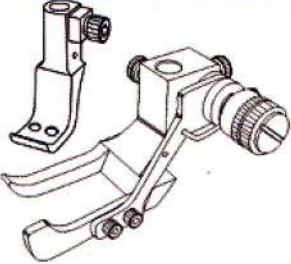
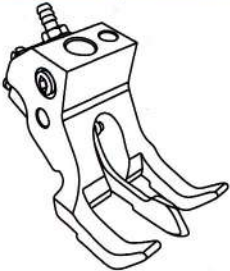
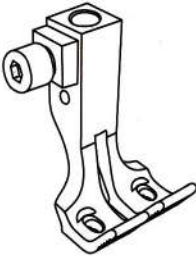
<p>KP767</p>  <p>Spring type center guide feet set</p> <p>5, 6, 8, 10, 12, 14, 16 mm</p>	<p>KP767-SO</p>  <p>Spring type center guide foot</p> <p>5, 6, 8, 10, 12, 14, 16 mm</p>	<p>KP767-SI</p>  <p>Feeding foot for center guiding</p> <p>5, 6, 8, 10, 12, 14, 16 mm</p>
<p>KP768AO</p>  <p>Pneumatic center guide foot</p> <p>5, 6, 8, 10, 12, 14, 16 mm</p>	<p>KP768-I</p>  <p>Compensating inner foot</p> <p>5, 6, 8, 10, 12, 14, 16 mm</p>	<p>KP768-IX</p>  <p>Compensating foot with a center guide on right toe</p> <p>6, 8, 10, 12, 14 mm</p>
<p>KP768-HI</p>  <p>Support larger difference in height</p> <p>8, 10, 12, 14, 16 mm</p>	<p>KP767S</p>  <p>For small operation</p> <p>6, 8, 10, 12, 14 mm</p>	<p>KP767SK</p>  <p>For small operation with center guide</p> <p>6, 8, 10, 12 mm</p>
<p>KP767UD</p>  <p>Double needle presser feet set</p> <p>3, 4, 5, 6, 8, 10, 12, 14, 16 mm</p>	<p>KP767U</p>  <p>Double needle presser foot</p> <p>3, 4, 5, 6, 8, 10, 12, 14, 16 mm</p>	<p>KP767D</p>  <p>Double needle feeding foot</p> <p>3, 4, 5, 6, 8, 10, 12, 14, 16 mm</p>

Double Needle Set For Durkopp Adler / Juki 467,767 / LU-2210



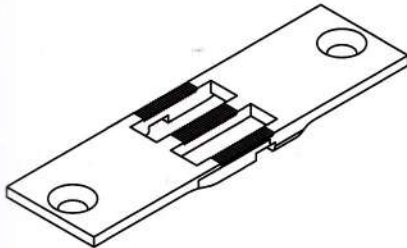
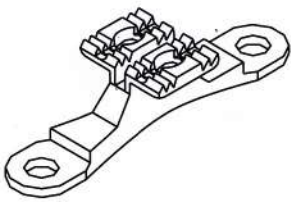
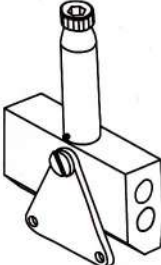
EM INDUSTRIAL SUPPLIES

Sewing and Cutting Machine Spares Supplier

<p>KP767EP</p>  <p>Zipper feet, use together with KHF844 KHF844</p> <p>10, 12, 14 mm</p>	<p>KP768-MO + KP768-MI</p>  <p>For center cording/piping</p> <p>8, 10 mm</p>	
<p>GA767R</p>  <p>Double needle feet with right guide Guide pressure and guide level are adjustable</p> <p>5, 6, 8, 10, 12, 14, 16 mm</p>	<p>KP768-ZO</p>  <p>Pneumatic center guide foot for small operation</p> <p>6, 8, 10, 12 mm</p>	<p>KP768-ZI</p>  <p>Pneumatic center guide feeding foot for small operation</p> <p>6, 8, 10, 12 mm</p>

**Durkopp Adler / Juki
467,767 / LU-2260**

**Guage Set
(Double Needle)**

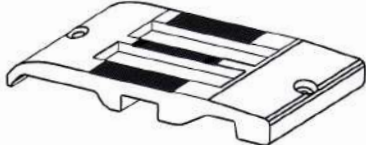


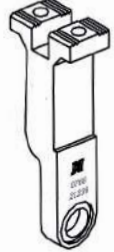
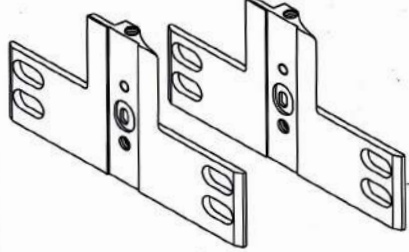


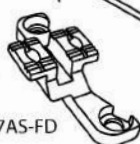
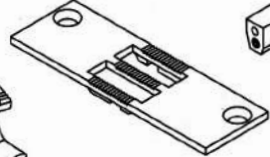

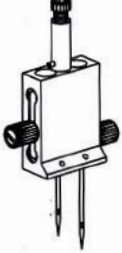
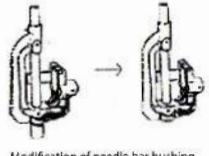
<p>KH767-NP</p>  <p>Needle plate for 767 767</p> <p>3, 4, 5, 6, 8, 10, 12, 14, 16 mm</p>	<p>KH767-FD</p>  <p>Feed dog for 767 767</p> <p>3, 4, 5, 6, 8, 10, 12, 14, 16 mm</p>	<p>KH767-NC</p>  <p>Needle clamp for double needle</p> <p>3, 4, 5, 6, 8, 10, 12, 14, 16 mm</p>
---	--	---

Gauge Sets (Double Needle) For Durkopp Adler / Juki 767,768 / LU-2260



EM INDUSTRIAL SUPPLIES

Sewing and Cutting Machine Spares Supplier

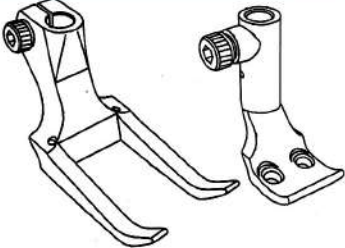
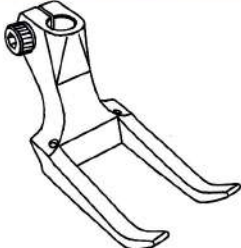



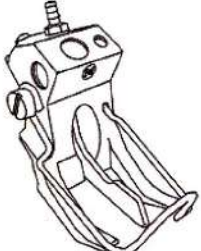
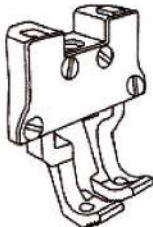
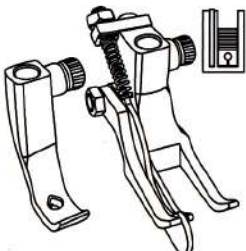
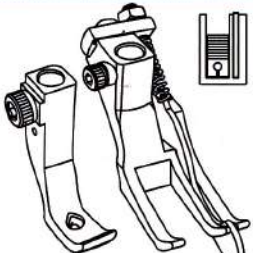
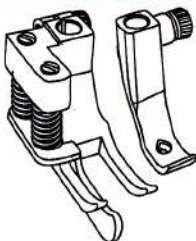
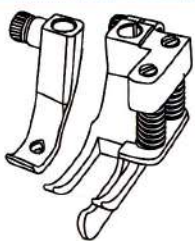
<p>KH768-NP</p>  <p>Needle plate for 768 768</p> <p>5, 6, 8, 10, 12, 14, 16 mm</p>	<p>KH768-NPT</p>  <p>Needle plate for 768 with thread trimmer 768</p> <p>5, 6, 8, 10, 12, 14, 16 mm</p>	<p>0367-232010KH</p>  <p>Needle bar for double needle using with KH767-NC KH767-NC</p>	
<p>KH768-FD</p>  <p>Feed dog for 768 768</p> <p>5, 6, 8, 10, 12, 14, 16 mm</p>	<p>KH768-NPC</p>  <p>Needle plate carrier for 768 768</p> <p>5, 6, 8, 10, 12, 14, 16 mm</p>		
<p>KH767AS Asymmetric gauge set</p>			
<div style="display: flex; justify-content: space-between;"> <div style="width: 45%;"> <p>KP767AS-U</p>  <p>KP767AS-D</p>  <p>KH767AS-FD</p>  <p>KH767AS-NP</p>  <p>KH767AS-NC</p>  </div> <div style="width: 50%;"> <p>This gauge set is a convenient solution for the user who use alternately single needle and double needle.</p> <p>The center is at the right needle hole, but not the middle between two needles.</p> </div> </div> <p style="text-align: center; margin-top: 20px;">8, 10, 12 mm</p>			
<p>KH867-OSNC</p>  <p>Flip-up needle clamp for double needle</p>  <p>Modification of needle bar bushing</p> <p style="text-align: center; margin-top: 20px;">6, 8, 10, 12 mm</p>			

Sewing Feet For Durkopp Adler 867, 868 - (12mm stitch length)



EM INDUSTRIAL SUPPLIES

Sewing and Cutting Machine Spares Supplier

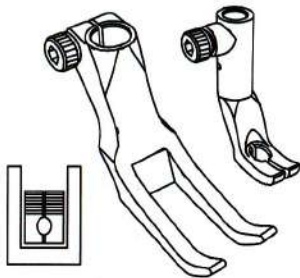
<p>KP867UD</p>  <p>Double needle presser feet set</p> <p>6, 8, 10, 12, 14, 16 mm</p>	<p>KP867U</p>  <p>Double needle presser foot</p> <p>6, 8, 10, 12, 14, 16 mm</p>	<p>KP767D</p>  <p>Double needle feeding foot</p> <p>6, 8, 10, 12, 14, 16 mm</p>
<p>KP868</p>  <p>Spring type center guide feet set</p> <p>6, 8, 10, 12, 14, 16 mm</p>	<p>KP868-SO</p>  <p>Spring type center guide foot</p> <p>6, 8, 10, 12, 14, 16 mm</p>	<p>KP767-SI</p>  <p>Feeding foot for center guiding</p> <p>6, 8, 10, 12, 14, 16 mm</p>
<p>KP868AO</p>  <p>Pneumatic center guide foot</p> <p>6, 8, 10, 12, 14, 16 mm</p>	<p>KP768-I</p>  <p>Compensating inner foot</p> <p>6, 8, 10, 12, 14, 16 mm</p>	<p>GL867</p>  <p>Left compensating guide feet</p> <p>3, 4, 5, 6, 8, 9 mm</p>
<p>GR867</p>  <p>Right compensating guide feet</p> <p>3, 4, 5, 6, 8, 9 mm</p>	<p>GL867H</p>  <p>Deeper left compensating guide with balancing spring for EXTREME HEAVY DUTY</p> <p>5, 6, 8, 9 mm</p>	<p>GR867H</p>  <p>Deeper right compensating guide with balancing spring for EXTREME HEAVY DUTY</p> <p>5, 6, 8, 9 mm</p>



Sewing Feet
(12mm Stitch Length)

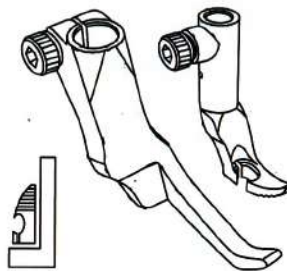
Durkopp Adler
867,868

KP867W



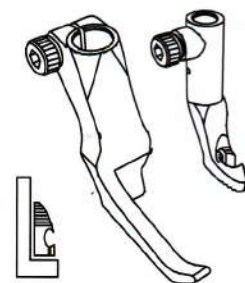
Regular feet

KP867LN



Left cording feet set

KP867RN



Right cording feet set

Gauge Sets
(Single Needle)

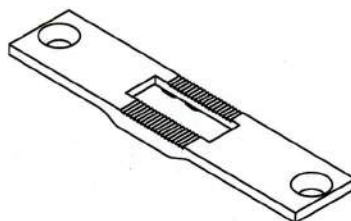
Durkopp Adler
867

KH868-NB



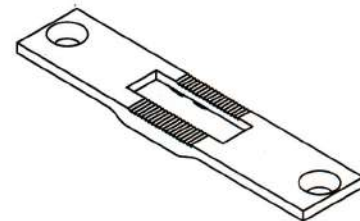
Needle Bar

0867-200010



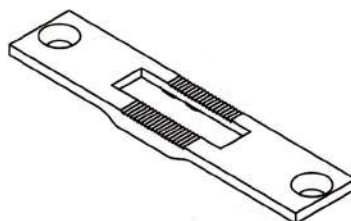
Maximum stitch length 6 mm
6mm

0867-200020



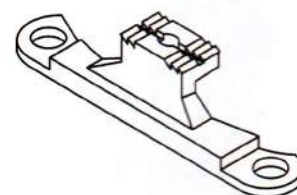
Maximum stitch length 9 mm
9mm

0867-200030



Maximum stitch length 12 mm
12mm

0867-210010A



Feed dog

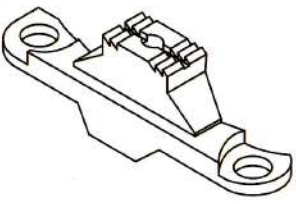
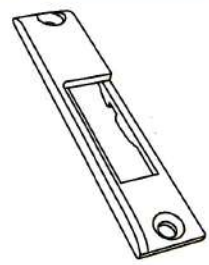
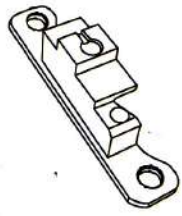
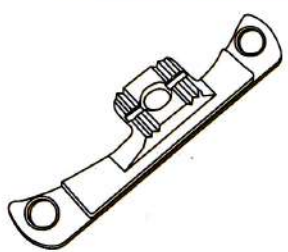
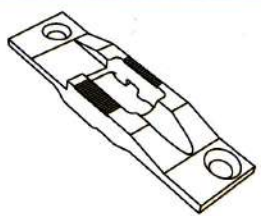
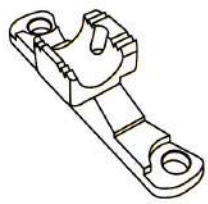
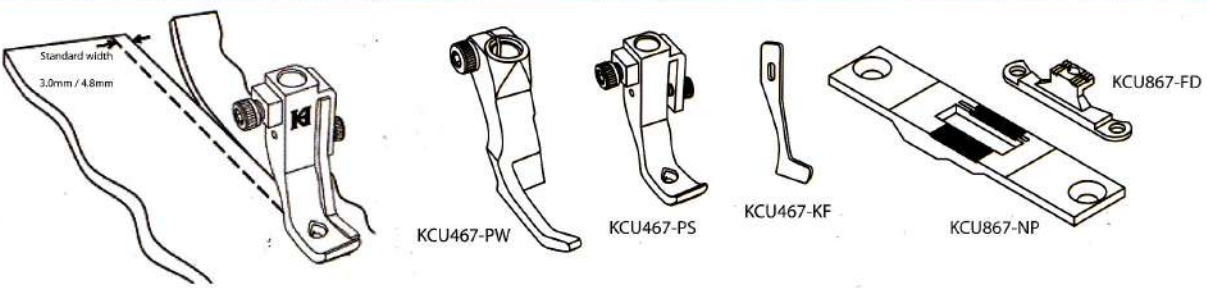
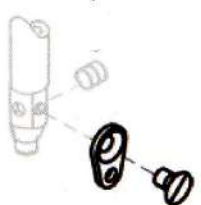


EM INDUSTRIAL SUPPLIES

Sewing and Cutting Machine Spares Supplier

Durkopp Adler 867

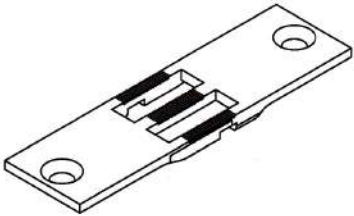
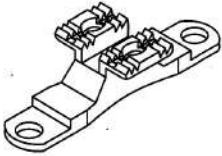

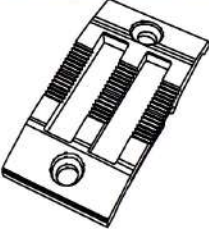
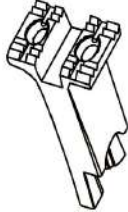
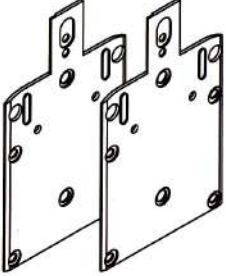
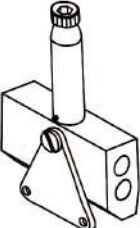
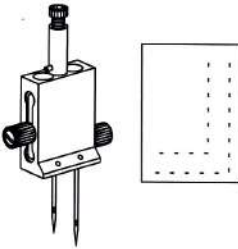
Gauge Sets (Single Needle)

<p>0867-210010B</p>  <p>Feed dog</p>	<p>KH867-BNP</p>  <p>Needle plate for binding (Moving arm KHB767) (KHB767)</p>	<p>KH867-BFD</p>  <p>Feed dog for binding (Moving arm KHB767) (KHB767)</p>
<p>0867-210010FDH</p>  <p>Bigger needle hole: 4.2 x 3.2mm 4.2 x 3.2mm</p>	<p>KH867-HNP</p>  <p>Needle plate for larger piping Use together with KH867-HFD (KH867-HFD)</p> <p>Groove Size 6mm, 9mm</p>	<p>KH867-HFD</p>  <p>Groove feed dog for larger piping Use together with KH867-HNP (KH867-HNP)</p> <p>Groove Size 6mm, 9mm</p>
<p>KCU867-GS 867 Edge cutting gauge set</p>  <p>Standard width 3.0mm / 4.8mm</p> <p>KCU467-PW KCU467-PS KCU467-KF KCU867-FD</p> <p>3.0mm , 4.8mm</p>		
<p>0291-000159 + 9203-312411</p>  <p>0291-000159 Thread guide 9203-312411 Screw (for 0767-120064KH)</p>		




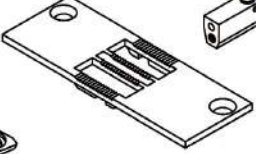


**Gauge Sets
(Double Needle)**

**Durkopp Adler
867,868**

<p>KH867-DNP</p>  <p>Needle plate for 867 867</p> <p>3, 5, 6, 8, 10, 12 mm</p>	<p>KH867-DFD</p>  <p>Feed dog for 867 867</p> <p>3, 5, 6, 8, 10, 12 mm</p>	<p>0367-232010KH</p>  <p>Needle bar for double needle using with KH767-NC KH767-NC</p>
<p>KH868-NP</p>  <p>Needle plate for 868, max stitch length 12mm 868 12mm-</p> <p>5, 6, 8, 10, 12, 14, 16 mm</p>	<p>KH868-FD</p>  <p>Feed dog for 868, needle hole size 3mm 868 3mm</p> <p>5, 6, 8, 10, 12, 14, 16 mm</p>	
<p>KH868-NPC</p>  <p>Lateral cover</p>	<p>KH767-NC</p>  <p>Needle clamp for double needle</p>	<p>KH867-OSNC</p>  <p>Flip-up needle clamp for double needle</p>

KH867AS Asymmetric gauge set

<p>KP767AS-U</p> 	<p>KH867AS-NP</p> 	<p>KH767AS-NC</p> 	<p>KH867AS-FD</p> 	<p>This gauge set is a convenient solution for the user who use alternately single needle and double needle. The center is at the right needle hole, but not the middle between two needles.</p>
<p>8, 10, 12 mm</p>				

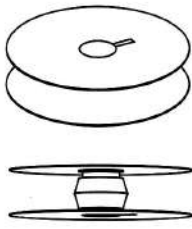
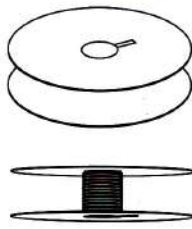
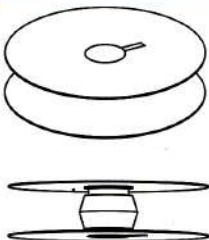
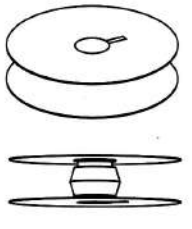
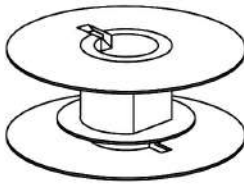
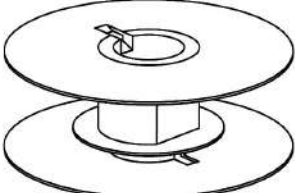

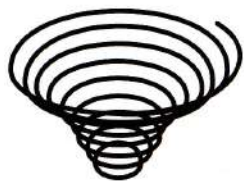
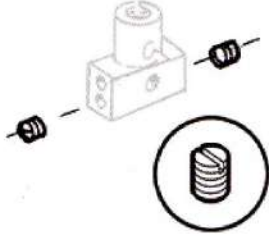
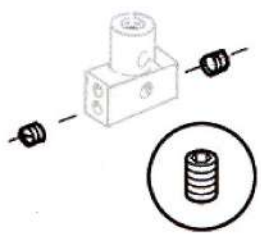
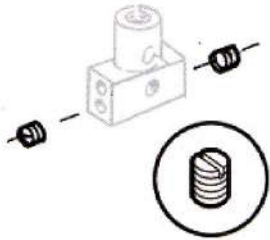
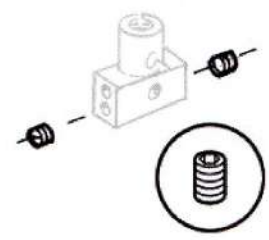


EM INDUSTRIAL SUPPLIES

Sewing and Cutting Machine Spares Supplier

Durkopp Adler 467, 767, 768, 867, 868

Spare Parts

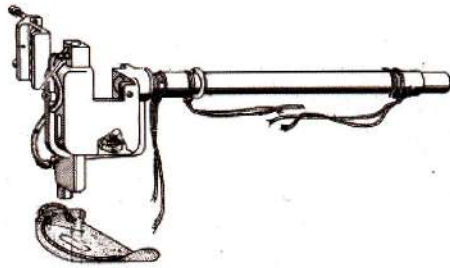
<p>0245-001660A</p>  <p>Bobbin</p> <p>Diameter 26mm</p>	<p>0245-001660AS</p>  <p>Bobbin with spiral lining</p> <p>Diameter 26mm</p>	<p>0667-150830</p>  <p>Bobbin</p> <p>Diameter 32mm</p>
<p>0667-156530</p>  <p>Bobbin</p> <p>Diameter 22mm</p>	<p>KDB-867(26)</p>  <p>Bobbin for remaining thread monitor</p> <p>Diameter 26mm</p>	<p>KDB-867(32)</p>  <p>Bobbin for remaining thread monitor</p> <p>Diameter 32mm</p>
<p>0367-150270KH</p>  <p>Supporting spring for 26mm diameter bobbin 26mm</p>	<p>0767-150590</p>  <p>Supporting spring for 32mm diameter bobbin 32mm</p>	<p>0211-001033-1</p>  <p>Slot type screw for genuine needle clamp</p>
<p>0211-001033-6</p>  <p>Hexagon type screw for genuine needle clamp</p>	<p>KH767NC-1S</p>  <p>Slot type screw for KH767-NC (KH767-NC)</p>	<p>KH767NC-6S</p>  <p>Hexagon type screw for KH767-NC (KH767-NC)</p>



Spare Parts

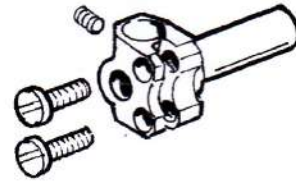
Durkopp Adler
467, 767, 768

0367-120284



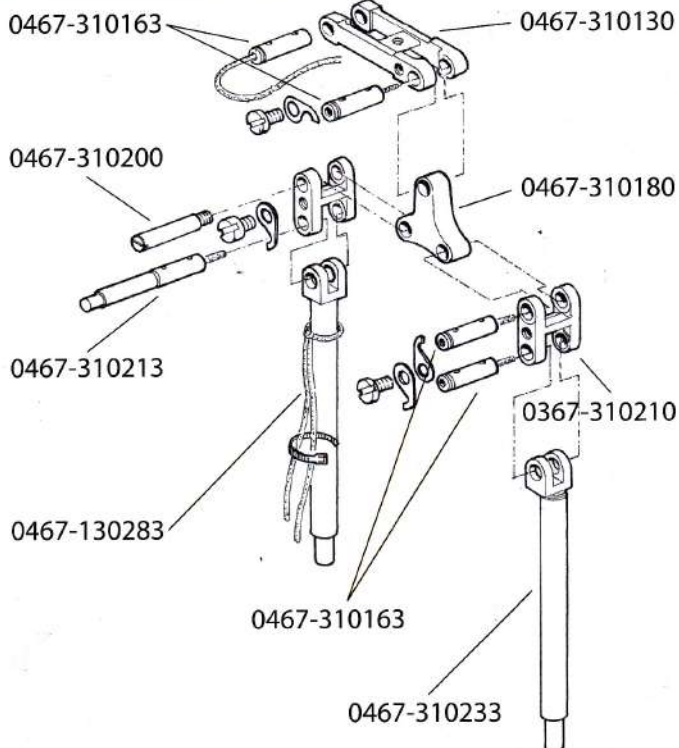
Rock frame needle bar

0367-120023



Needle bar block

Spare Parts for Unison Feed

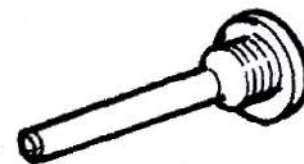


0367-120040



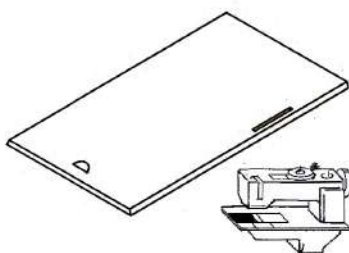
Slide block

0367-120110



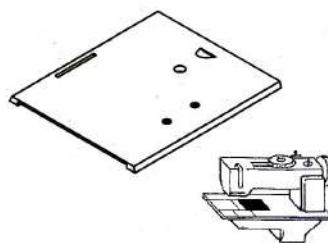
Threaded bolt

0367-140320



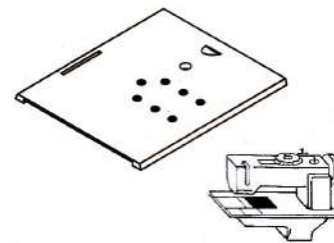
Left slide plate

0367-140090



Right slide plate

0367-140090F



Right slide plate for attachment installation



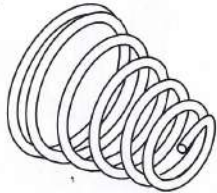

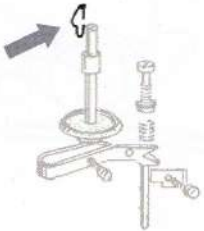
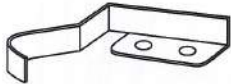
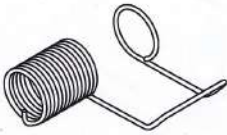

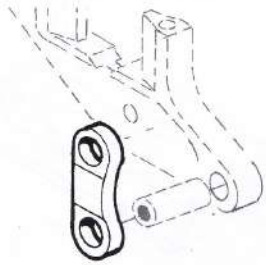
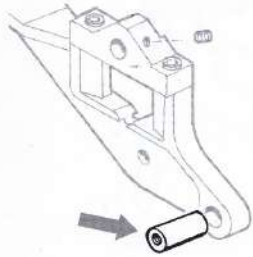




EM INDUSTRIAL SUPPLIES

Sewing and Cutting Machine Spares Supplier

Durkopp Adler 467, 767, 768

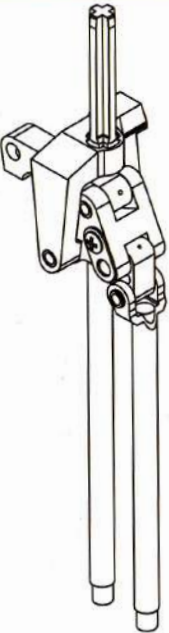
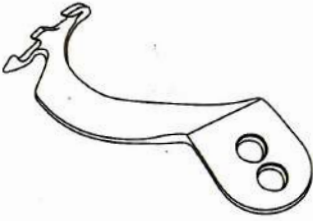

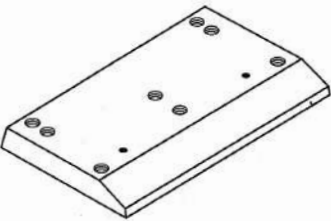

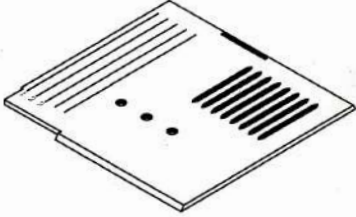
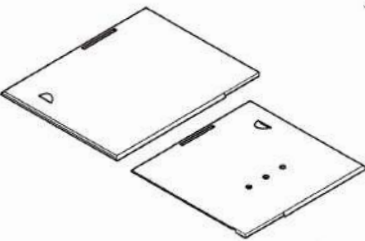
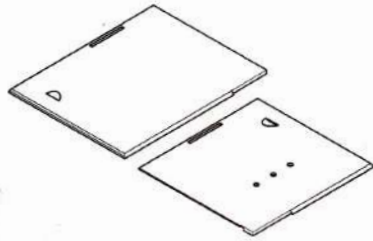
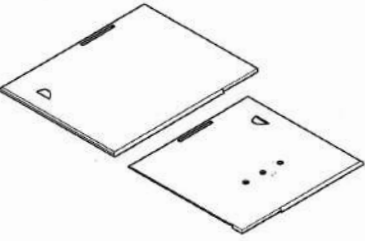
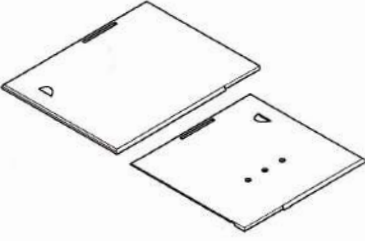
Spare Parts

<p>0216-000134KH</p>  <p>Hexagon type screw for 467/767 needle plate 467/767</p>	<p>9400-000228KH</p>  <p>Hexagon type screw for 768 needle plate 768</p>	<p>0099-004700KH1.6</p>  <p>Stronger conic spring</p> <p>Spring diameter 1.6mm</p>
<p>0367-170040</p>  <p>Fixing clamp</p>	<p>0367-170044</p>  <p>Winder shaft</p>	<p>0367-350060</p>  <p>Fixing clamp for 767 767</p>
<p>0068-000280KH</p>  <p>Take-up spring for 767 767</p>	<p>0068-004910KH</p>  <p>Take-up spring for 767 767</p>	<p>0467-160200</p>  <p>Oscillating frame</p>
<p>0467-160220</p>  <p>Bolt</p>	<p>0367-150413</p>  <p>Spur wheel</p>	<p>0367-150433</p>  <p>Driving shaft</p>



Spare Parts

**Durkopp Adler
867,868**

<p>KH867PBA</p>  <p>Presser and feeding foot bar asm.</p> <p>0667-315053 Presser foot bar + 0667-315113 Feeding foot bar + 0867-310430 Bolt</p>	<p>0667-355110</p>  <p>Moving knife</p>	<p>0667-355130</p>  <p>Counter knife</p>
<p>0867-140030</p>  <p>Front plate</p>	<p>0667-355140</p>  <p>Fixing clamp</p>	<p>0867-140020</p>  <p>Right slide plate with graduation</p>
<p>0867-140010 + 0867-140040</p>  <p>Left & right slide plate for KH867-DNP 4 - 6mm KH867-DNP 4 - 6mm</p>	<p>0867-140050 + 0867-140060</p>  <p>Left & right slide plate for KH867-DNP 8 - 10mm KH867-DNP 8 - 10mm</p>	<p>0867-140070 + 0867-140080</p>  <p>Left & right slide plate for KH867-DNP 12 - 14mm KH867-DNP 12 - 14mm</p>
<p>0867-140090 + 0867-140100</p>  <p>Left & right slide plate for KH867-DNP 16 - 18mm KH867-DNP 16 - 18mm</p>		



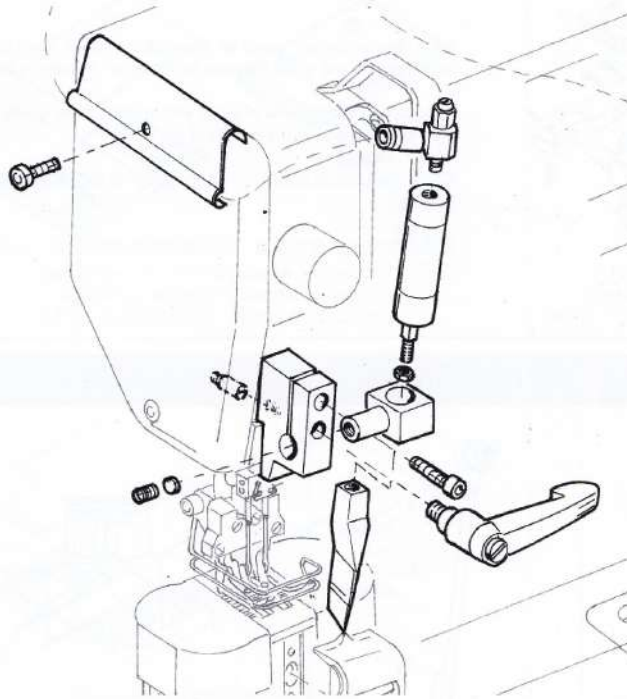
EM INDUSTRIAL SUPPLIES

Sewing and Cutting Machine Spares Supplier

Durkopp Adler
767, 768, 867, 868

Pneumatic Guides

KG768VP



Pneumatic guiding set for 768
768

KG768Y



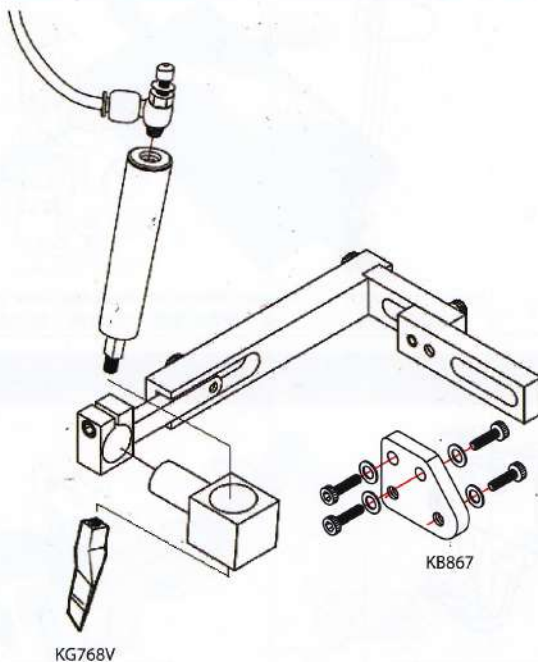
9700-10040 Piston with holder

KG768V



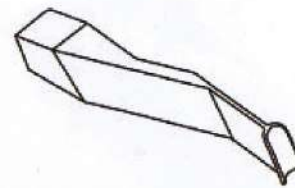
Guiding knife for decorative topstitching

KG868VP



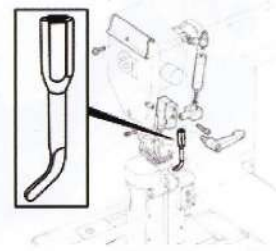
Pneumatic guiding set for 868
868

KG768M



Guiding knife for
decorative topstitching with piping

KG768C



Guiding knife for decorative topstitching



Pneumatic Guides

**Durkopp Adler
767, 768, 867, 868**

KG777

KG777 is a pneumatic guide for universal machines. It can be used together with our guide brackets for fixing on different machines.

By adjusting the position of guide and bracket, it can guide at the right side, left side or the middle of the seam.

KG777

KG778

KG778 is a pneumatic lifted edge guide for all universal machines. It can be used together with our guide brackets for fixing on different machines.

KG778

KHM700-1H

Heel action switch

KG-OFS

On / Off switch

KG0010-F

F.R.L. Unit - Filter, Regulator, Lubricator
F.R.L.

KP767U

Double needle presser foot

5, 6, 8, 10, 12, 14, 16 mm

KP768-I

Compensating inner foot

5, 6, 8, 10, 12, 14, 16 mm

KP768-MO + KP768-MI

For center cording/piping

8, 10 mm



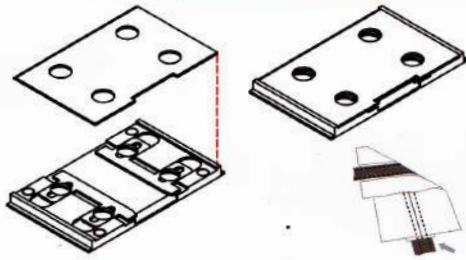
EM INDUSTRIAL SUPPLIES

Sewing and Cutting Machine Spares Supplier

Durkopp Adler 467, 767, 867

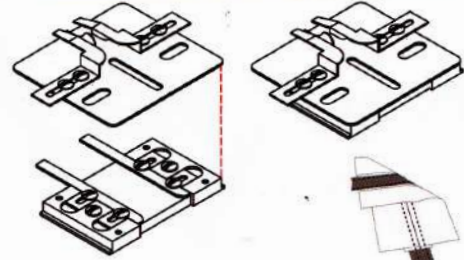
Attachments

KHF467



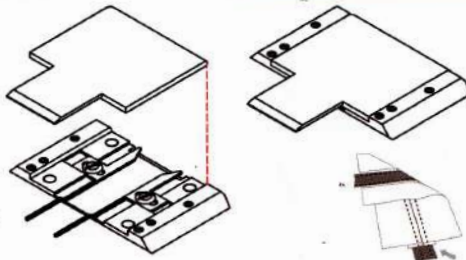
Tape guide on front slide plate for 467 and 767
Adjustable between 15 and 25mm wide
467/767 15 25mm

KHF767F



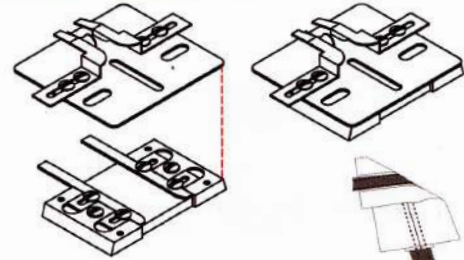
For 767 - Top: Adjustable downturn hemmer in two sides
Bottom: Adjustable tape guide (15-25mm) on front slide plate
767 (15-25mm)

KHF867



Tape guide on front slide plate for 867
Adjustable between 15 and 25mm wide
867 15mm 25mm

KHF867F



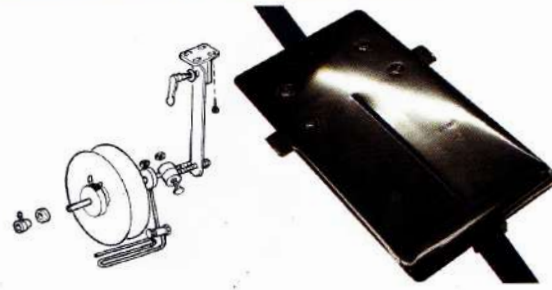
For 867 - Top: Adjustable downturn hemmer in two sides
Bottom: Adjustable tape guide (15-25mm) on front slide plate
867 (15-25mm)

KA767



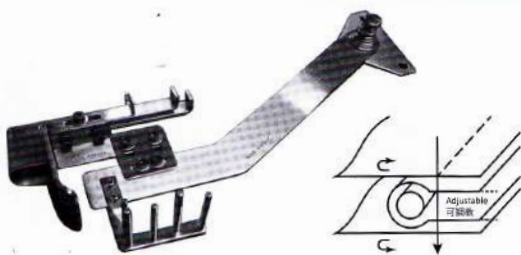
Tape guide for flat bed machine

KA767R



Tape guide for flat bed machine with roller holder N900-001527
N900-001527)

KHF767WS



Welting attachment used together with KH767WG piping feet
KH767WG

KHF767TS



Welting attachment used together with KH767TG piping feet
KH767TG



Attachments

**Durkopp Adler
467, 767, 867**

KHF767RG

N800-V91271 N800-V91180

N800-V91271 Left retainer guide + N800-V91180 Right retainer guide
N800-V91271 + N800-V91180

KHF767TA

N516-V91174 Tape guide, it is adjustable between 1.5cm & 4cm
N516-V91174 1.5cm - 4cm

KHF767UL

Partition attachment separates the upper and lower layers, to set the upper feeding and lower feeding different from each other

KHF767WL

KHF767WL finishes functions of KHF767P1 & KHF767P2 simultaneously
KHF767WL KHF767P1 KHF767P2

KHF767P1

Welting attachment for thicker cord

KHF767P2

The center part binded cord has been made by KHF767P1 already
KHF767P2 help to add the upper and bottom layer
KHF767P2 KHF767P1

KHF844

Zipper folder, used together with KP367ZP
KP367ZP

KHB767

Moving arm for 767 & 867, used together with KHF2, KHF3 or KHF4 binder
767 867 KHF2, KHF3 KHF4



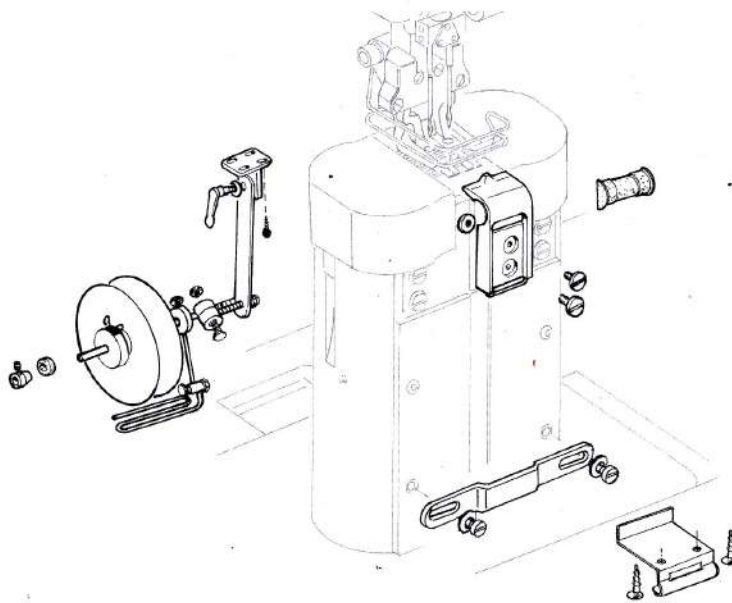
EM INDUSTRIAL SUPPLIES

Sewing and Cutting Machine Spares Supplier

Durkopp Adler 768, 868

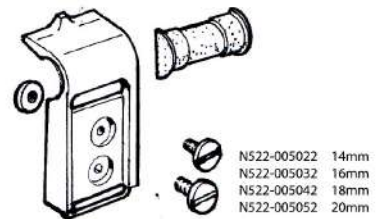
Attachments

KA768



Belt guide completed set for 20mm belt
(20mm)

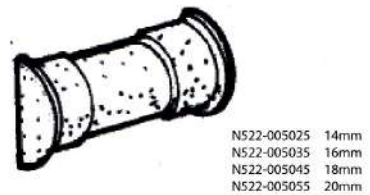
KA768-BG



Belt guide completed

10, 12, 14, 16, 18, 20 mm

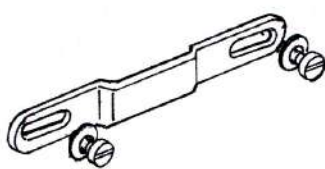
KA768-BI



Belt insert

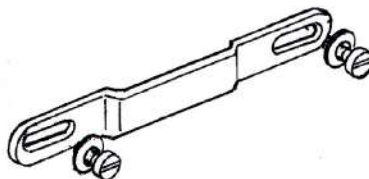
10, 12, 14, 16, 18, 20 mm

N522-005007



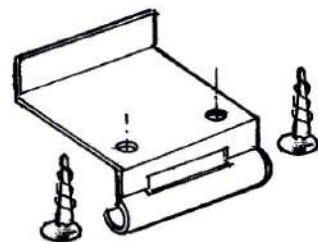
Shackle for 768
768

N522-005007L



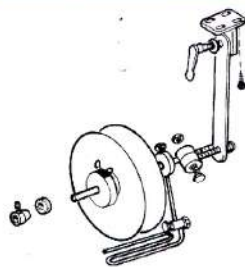
Longer shackle for 868
868

N522-005008



Guiding plate

N900-001527



Under table tape roller holder



Especially Suitable For Cutter GTXL

 925500596	 925500593	 925500594	 904500264	 760500204
 925500530	 925500566	 85978000	 85634000	 85858000
 596041001	 153500511	 153500557	 925500528	 925500608
 85844000	 456500224	 688500256	 85964000	 153500568
 93831000	 85965001	 804500126	 91557000	 708500238
 85948000	 85947000	 85619000	 85616000	 85979000
 75709001	 85623000	 85939001	 85698000	 85932001
 85860001	 180500261	 496500222	 180500264	 92910001
 92910002	 92912001	 460500126	 88186000	 153500574
 85926000	 85925000	 925500599	 925500605	 925500507



EM INDUSTRIAL SUPPLIES

Sewing and Cutting Machine Spares Supplier

Especially Suitable For Cutter GT7250/S7200

 57484000	 54685002	 68077000	 57483001	 60263003
 59209001	 59156000	 60262001	 66969001	 20568002
 74447000	 61523000	 61647002	 61503000	 61537000
 61609000	 92913001	 92911001	 73447001	 65832002
 61612000	 60264003	 153500223	 153500224	 66237000

 79494000	 91310000	 93746000	 89269050	 79332050
 925500504	 854500100	 760500214	 20505000	 57436000
 36779000	 36779001	 21261011	 22941000	 78798006
 22217005	 54715000	 21610000	 55600000	 59137000



Especially Suitable For Cutter GT7250/S7200





EM INDUSTRIAL SUPPLIES

Sewing and Cutting Machine Spares Supplier

Especially Suitable For Cutter GT7250/S7200

 376500082	 376500213	 180500086	 180500090	 180500213
 180500212	 180500223	 180500232	 180500271	 180500272
 180500291	 180500211	 180500091	 180500077	 180500084
 340501092	 59268001	 89269050	 78308000	 75714000
 74897001	 86973000	 86974000	 82481000	 82483000

Especially Suitable For Cutter GT7250/S7200

 54890000	 18872000	 55707001	 71433000	 21938000
 66971001	 153500200	 66659020	 56435000	 69338000
 798400802	 75195000	 74187000	 66470020	 346342204
 75291000	 59407000	 57292003	 57438000	 86356000
 82242000	 75150000	 79067001	 20637001	 82273000



Especially Suitable For Cutter GT7250/S7200

75280000	238500008	238500025	238500038	496500207
925500575	925500635	925500574	925500617	925500638
92911002	925500528	90246000	944291503	945500089
925500507	925500596	925500599	925500605	460500125
93262002	596041001	596500005	59135002	75278001

Especially Suitable For VECTOR/MH/MX/M88/MP60 etc.

125206	112009 hch-6002	11405	104147	108678
108686	108691	111903	108679	104215
104197	104202	104215	126093	704497
704259	113826	108683	108684	111406
108693	108694	702187	311491	411226



EM INDUSTRIAL SUPPLIES

Sewing and Cutting Machine Spares Supplier

Especially Suitable For Cutter GT7250/S7200




























 61501000	 59284000	 34549000	 59285000	 54885000
 760500222	 304500130	 904500264	 925500530	 925500566
 904500280	 904500283	 904500274	 904500295	 925500593
 925500594	 CR2-030	 968500241	 904500276	 94341000
 84412000	 263500303	 760500204	 59268001	 45455000



Especially Suitable For Cutter GT5250/S5200

 74494050	 89269050	 55689000	 91310000	 925500504
 42886000	 55707001	 79332050	 57277002	 71433000
 58038000	 54896001	 74494050 ENCODER	 904500276	 55607000
 55621000	 21610000	 55401000	 55515000	 66475001

 54647000	 61988000	 54685002	 54710001	 54715000
 54716000	 54749000	 27864000	 21938000	 55407000
 20637001	 812204910	 54782009	 54782010	 54751001
 798400802	 86356000	 56435000	 69338000	 664700207
 75291000	 152281030	 153500190	 55579003	 66457001



EM INDUSTRIAL SUPPLIES

Sewing and Cutting Machine Spares Supplier


























Especially Suitable For Cutter GT5250/S5200





Especially Suitable For Cutter GT5250/S5200



 18050090	 18050091	 180500232	 180500290	 180500212
 180500211	 180500271	 92913001	 92911002	 92911001
 61503000	 153500225	 153500527	 496500207	 460500125
 90246000	 120050220	 120050201	 120050203	 238500038
 75280000	 75282002	 238500008	 75278003	 79097000



EM INDUSTRIAL SUPPLIES

Sewing and Cutting Machine Spares Supplier

Especially Suitable For Cutter GT5250/S5200

 86973000	 238500025	 925500575	 93262002	 153500511
 596041001	 596500005	 925500596	 925500605	 925500507
 925500599	 925500574	 968500065	 925500528	 925500634
 75709001	 55375001	 925500593	 968500241	 760500214
 65905000	 55758000	 43323000	 54365000	 54567000

 304500130	 904500264	 904500274	 345500401	 760500204
 904500280	 925500530	 925500566	 904500283	 904500295
 925500594	 350500031	 84412000	 94341000	 94341000

Especially Suitable For Cutter GT1000

 89301000	 89259001	 89310000	 893140000	 89316000
---	---	---	--	---



Especially Suitable For Cutter XLC7000/Z7



Especially Suitable For Cutter XLC7000/Z7
















 238500039	 632500299	 376500254	 90793000	 90792000
 90730000	 90721001	 90723001	 90828000	 90817000
 153500150	 152280302	 153500223	 153500224	 90812000
 90731000	 20505000	 36779000	 36779001	 306500091



EM INDUSTRIAL SUPPLIES


Sewing and Cutting Machine Spares Supplier

Especially Suitable For Cutter XLC7000/Z7

 90816000	 21261011	 22941000	 854500755	 465501045
 465501069	 465501062	 346342204	 90683000	 90686000
 280500120	 180500307	 180500077	 180500084	 180500306
 180500090	 180500259	 180500278	 376500253	 153500607
 153500225	 153500605	 153500606	 238500036	 90795000

 340501092	 528500121	 904500321	 304500168	 308010101
 120050220	 120050201	 120050203	 410500269	 128500106
 90814000	 90815000	 798400802	 90827000	 21938000

Especially Suitable For Cutter DCS SERIES

 92831000	 TL-051	 TL-001	 TL-052	 TL-051
---	---	---	---	---



Especially Suitable For Plotter AP100/AP320 SERIES



Especially Suitable For Plotter AP100/AP320 SERIES

 55053050	 55045005	 55052050	 56041000	 57916011	 47951000
 59092010	 90233000	 55162001	 53982000	 53984001	 52108000
 55101001	 90135000	 53941000	 53983001	 36652000	 55323000
 55053050 PULLEY	 51065000	 59623000	 86128050	 47940002	 59645000



EM INDUSTRIAL SUPPLIES

Sewing and Cutting Machine Spares Supplier

Epecially Suitable For Plotter Infinity Series/XLP-60/90/45



Epecially Suitable For Spreader SY101/SY100/SY51






























EM INDUSTRIAL SUPPLIES

Sewing and Cutting Machine Spares Supplier

Especially Suitable For Spreader SY101/SY100/SY51

 101-728-004	 050-725-007	 101-728-011	 5170-065-0007	 101-090-134
 1010-006-0001	 1000-025-080015	 288-000-601	 1160-001-0025	 1210-002-0001
 1210-002-0009	 1210-013-0002	 1210-012-0029	 5040-001-0007	 2584
 5240-078-0011	 035-028-026	 5230-078-0003	 050-002-033	 5070-110-0037
 101-028-009	 101-028-035	 101-028-012	 5030-028-0031	 045-828-002

Especially Suitable For VECTOR/MH/MX/M88/MP60 etc.





EM INDUSTRIAL SUPPLIES

Sewing and Cutting Machine Spares Supplier

Especially Suitable For VECTOR/MH/MX/M88/MP60 etc.
Maintenance kit 500H/1000H/2000H/4000H






















Especially Suitable For VECTOR/MH/MX/M88/MP60 etc.

 750413	 750415	 750434	 750494	 750495
 750524	 750656	 750944	 750948	 751198
 750945	 750948	 750958	 G10 G11 G12	 118010 G3 46MR401 750G
 124530	 124529	 118010 G3	 115271 G1	 118009 G2



Especially Suitable For Cutter GTXL

 85626000	 85929001	 85917052	 88226000	 85628000
 85629001	 85877001	 153500572	 860500106	 88903000
 632500282	 632500283	 376500232	 85977000	 85624000
 904500276	 85937000	 71575001	 85838000	 85839000

 85951000	 603500100	 896500325	 85632000	 85849000
 85631000	 85904000	 85630002	 85963000	 246500341
 85891000	 85739000	 85882001	 85745000	 85892000
 58244001	 85971000	 86040001	 85949000	 85637000
 238500035	 238500036	 896500005	 85635000	 85847000



EM INDUSTRIAL SUPPLIES

Sewing and Cutting Machine Spares Supplier



EM INDUSTRIAL SUPPLIES

Sewing and Cutting Machine Spares Supplier

We are professional suppliers of sewing machine fittings and we provide all kinds of sewing machine parts and accessories. New items are always added to our website product list. If you are interested in our products or want to place an order, please contact us via the details below:



-  emindustrial@telkomsa.net
-  [\(+27\) 074 918 1839](tel:+270749181839)
-  www.emgroupsa.co.za
-  www.emindustrialsupplies.com

OUR BRANCHES

64 Shetland Drive
Queens Park
Bulawayo
Zimbabwe

2 Premier Place
Industrial Park
Durban, KZN
South Africa

Flat 7,
192 Edward Road,
B12 9LX
United Kingdom

